

G250TR G250D (production May '74)  
G200S G200C

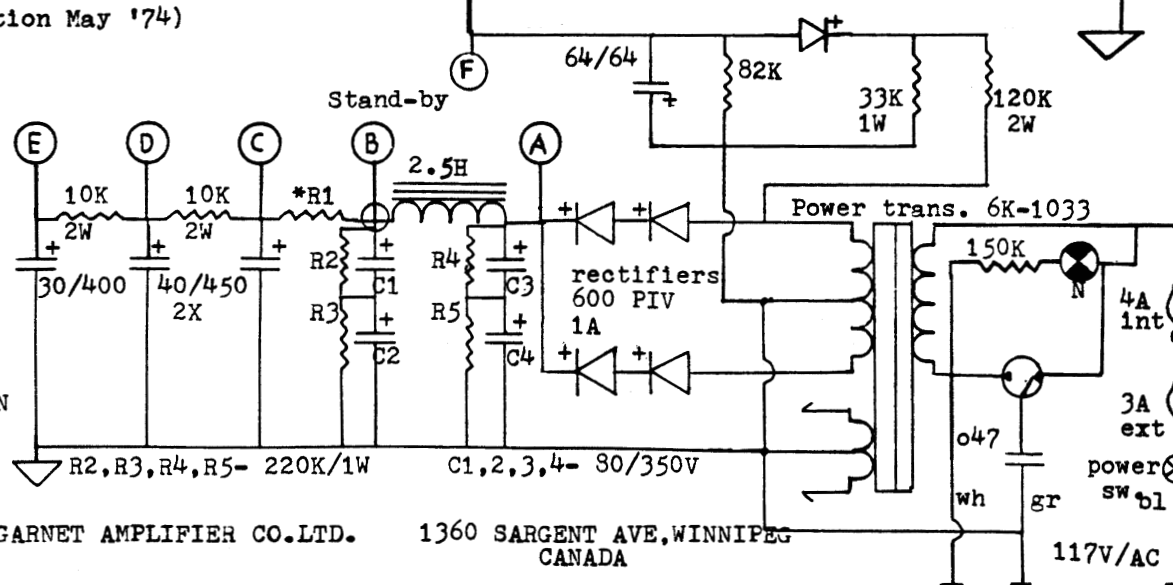
\*R1-is 6K/10W  
in G250TR and D

\*R1-is 30K/2W  
in G200S and C

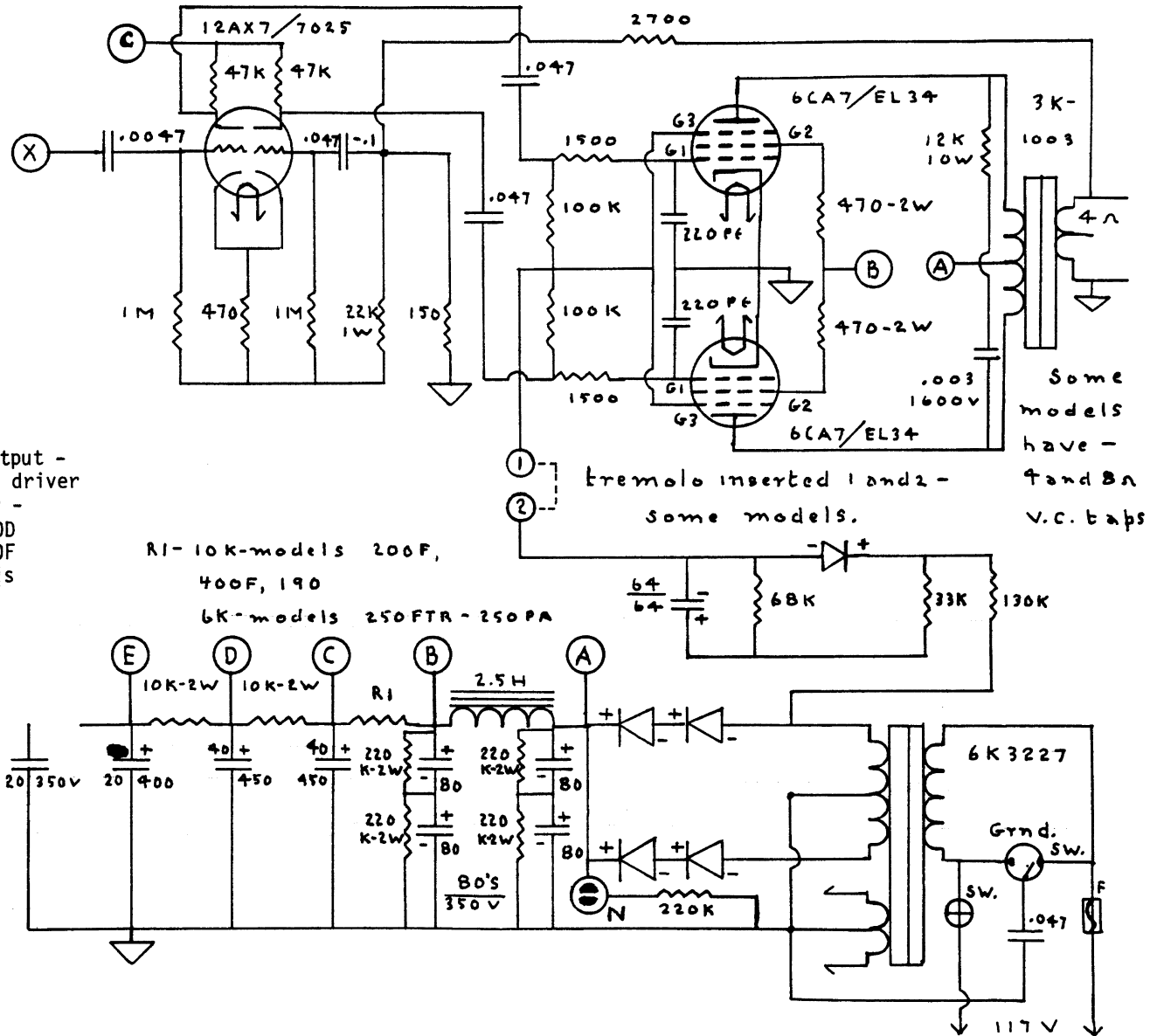
Filter network at "E"  
is not used in G200S

Voltages

PRO 200S	SESSIONMAN
A) 520	520
B) 515	515
C) 400	390
D) 380	315
C)	290



GARNET AMPLIFIER CO.LTD. 1360 SARGENT AVE, WINNIPEG  
CANADA



Power Supply - Output -  
 phase - splitter - driver  
 for following -  
 G250TR - G250D  
 250PA - LB200F  
 all 190 models

R1- 10K-models 200F,  
 400F, 190  
 6K-models 250FTR - 250PA

tremolo inserted 1 and 2 -  
 some models.

Some  
 models  
 have -  
 4n and Bn  
 v.c. taps

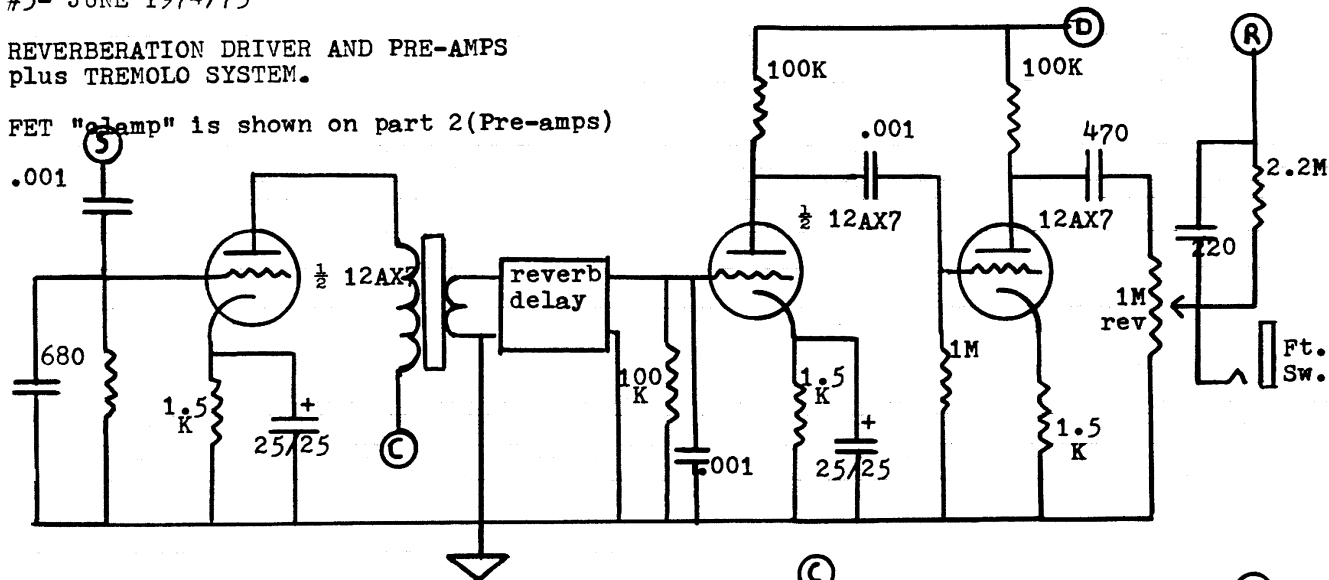
117V

GARNET AMPLIFIER CO.LTD  
Winnipeg, Canada

#3- JUNE 1974/75

REVERBERATION DRIVER AND PRE-AMPS  
plus TREMOLO SYSTEM.

FET "clamp" is shown on part 2 (Pre-amps)



SESSIONMAN

G250TR  
G250D

