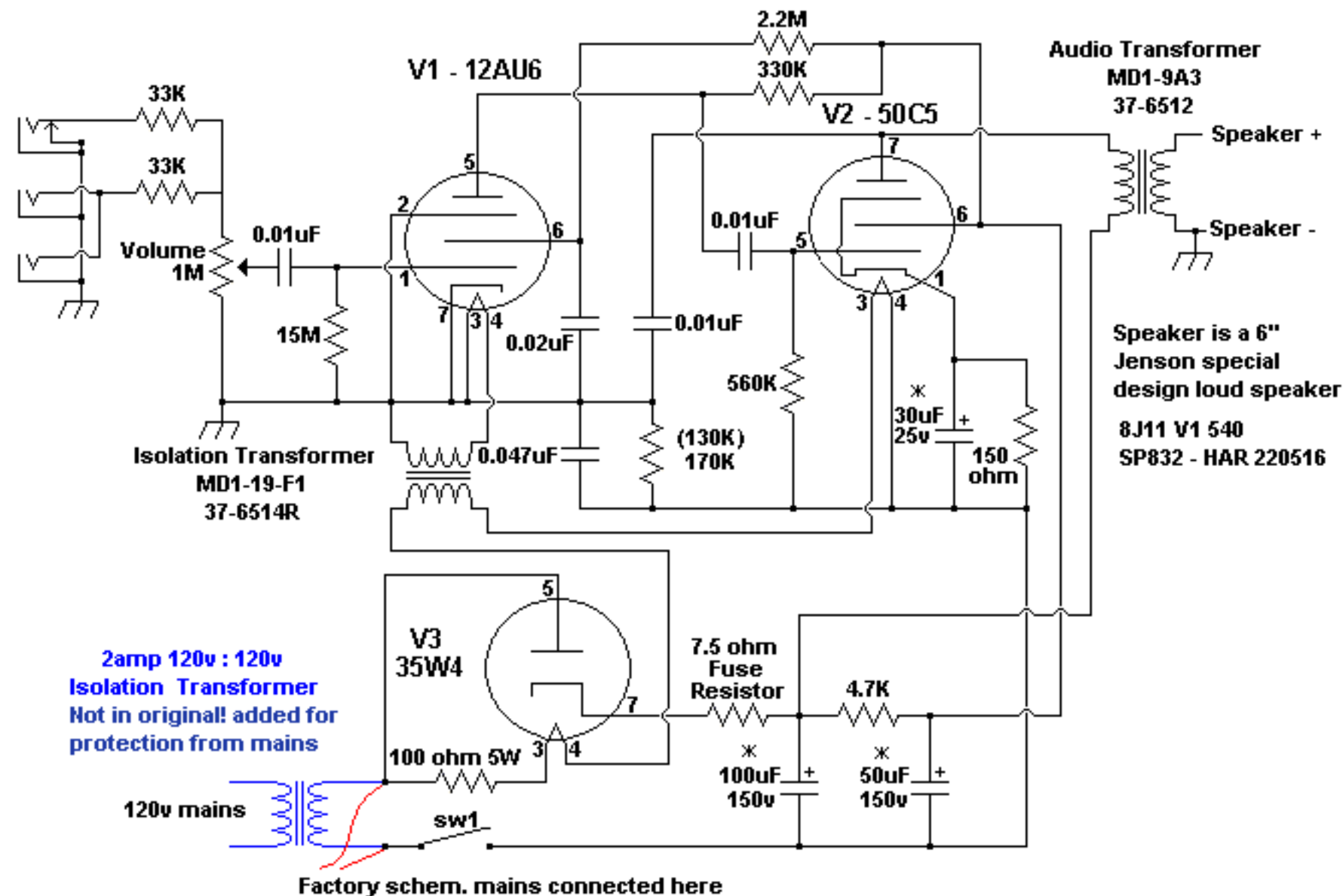


Harmony H303B Practice Amp

Schematic Drawn By Richard Boop

05/07/2005



All resistors 1/2 watt unless marked. All capacitors are 400v unless marked.

*The filter caps. are all part of a single multi cap.

1M volume pot also contains the spst power switch.

Additional notes

() value listed on factory schematic. The amp I have had a 170K installed.

Factory schemmatic listed all smallcaps as ceramic disc. Only the input cap in mine was ceramic the others are tubular paper caps.

Help prevent accidental electrocution !! Since there is no protection from the mains, do yourself a favor and add a 2A 120v : 120v isolation transformer. This modification was suggested by R.G. Keen www.geofex.com. For an excellent explantation view the topic posted at Aron Nelson's stompbox forum.

<http://www.diystompboxes.com/sboxforum/viewtopic.php?t=33010&start=0&postdays=}&postorder=asc&highlight=>