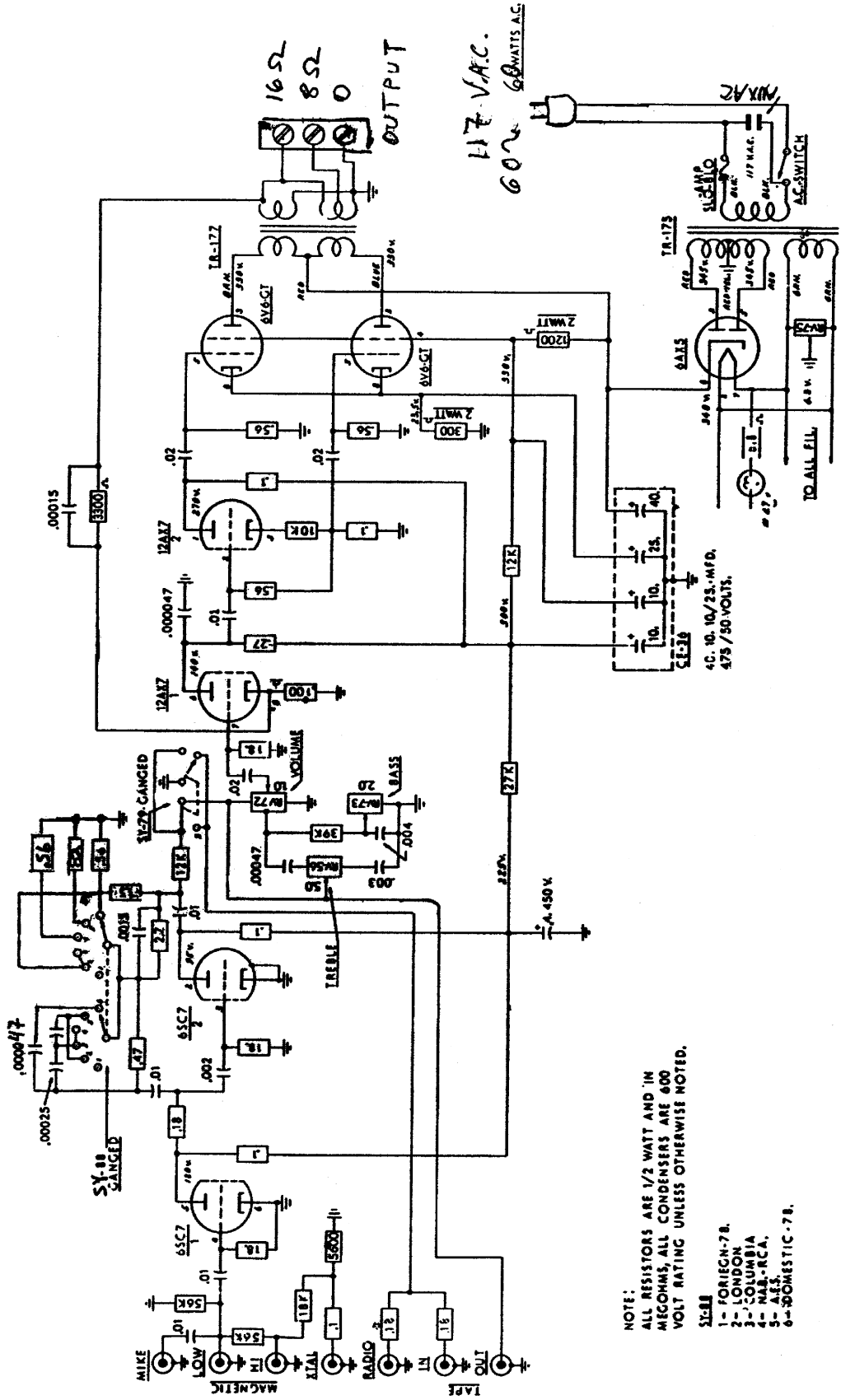


MODEL 10

Newcombe

MODEL-10 AMPLIFIER



NOTE:
 ALL RESISTORS ARE 1/2 WATT AND IN
 MEGOHMS, ALL CONDENSERS ARE 500
 VOLT RATING UNLESS OTHERWISE NOTED.

51681
 1- FORICOM-78.
 2- LONDON
 3- COLUMBIA
 4- NAB-RCA.
 5- A.E.S.
 6- DOMESTIC-78.