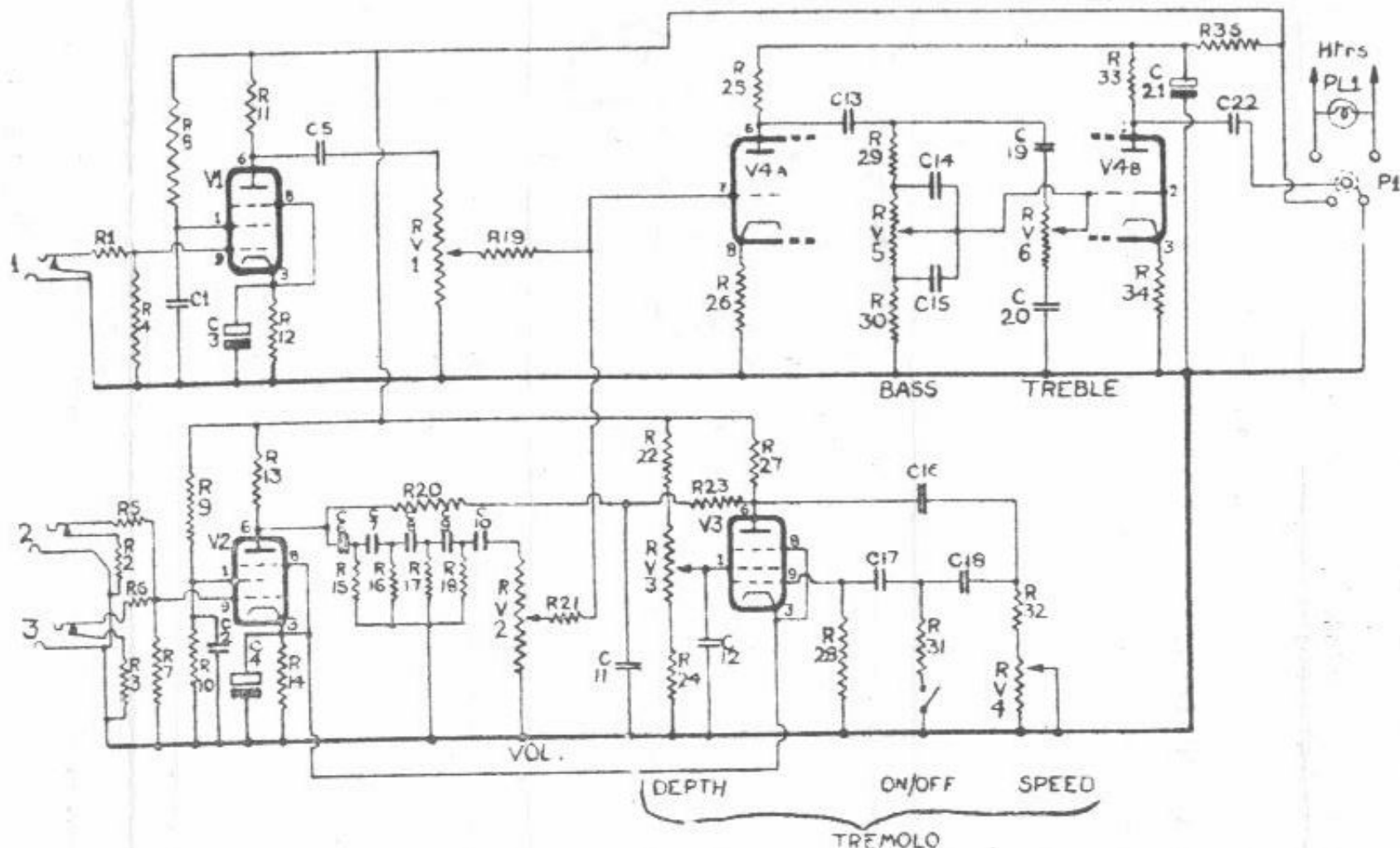


USED ON:
TV19/REF NO 935

SIMILAR TO:

SUPERSEDES:

MODS.
MIC & MUSIC CHANGED
18-7-58.
VALUE R22 CHANGED
" 224 " 9/6/60



RESISTORS		PART NO.	RESISTORS	PART NO.	CONDENSERS	PART NO.	VALVES	PART NO.						
R12,3	470K	R32	R19	500K	R35	C12,16,17,18	0.05µF	C224	V1,2,3	EFB6	V77	PL1	PILOT LAMP	L27.
R4,5,6,11,27,29	220K	R30	R20,23	330K	R37	C3,4	50µF,25v	C327	V4	ECC82	V73			
R7	3.3M	R360	R21, R22	270K	R31	C5,12,13,22	1µF	C225				P1	PLUG SWAY.	P199
R8,9	1.0M	R39			R24A	C6,7,8,9,10,15,20	0.1µF	C7	J1,2,3	JACK SOCKETS	S133			
R10	150K	R28	R25,30,33,35	22K	R20	C11	0.01µF	C7						
R12,14	2K	R37	R25,34	1K	R11A	C14	0.01	C218	RV1,2,5,6	1M	P22			
R13	560K	R34	R28,31	100K	R27A	C19	75µF	C56	RV3	50K	P6			
R15,16,17,18	120K	R47	R32, R24	60K	R25	C21	0.1µF	C32	RV4	500K	P2			

SELMER ELECTRONICS LTD. W.C.I.

FINISH

SCALE

DRN

TRGD. J.O'S.

DATE. 7-5-58

CHKD.

APPD.

∞ CIRCUIT DIAGRAM PRE AMPLIFIER ∞

DRG. No. 1695/3

PART No. D.25