

# MC2G

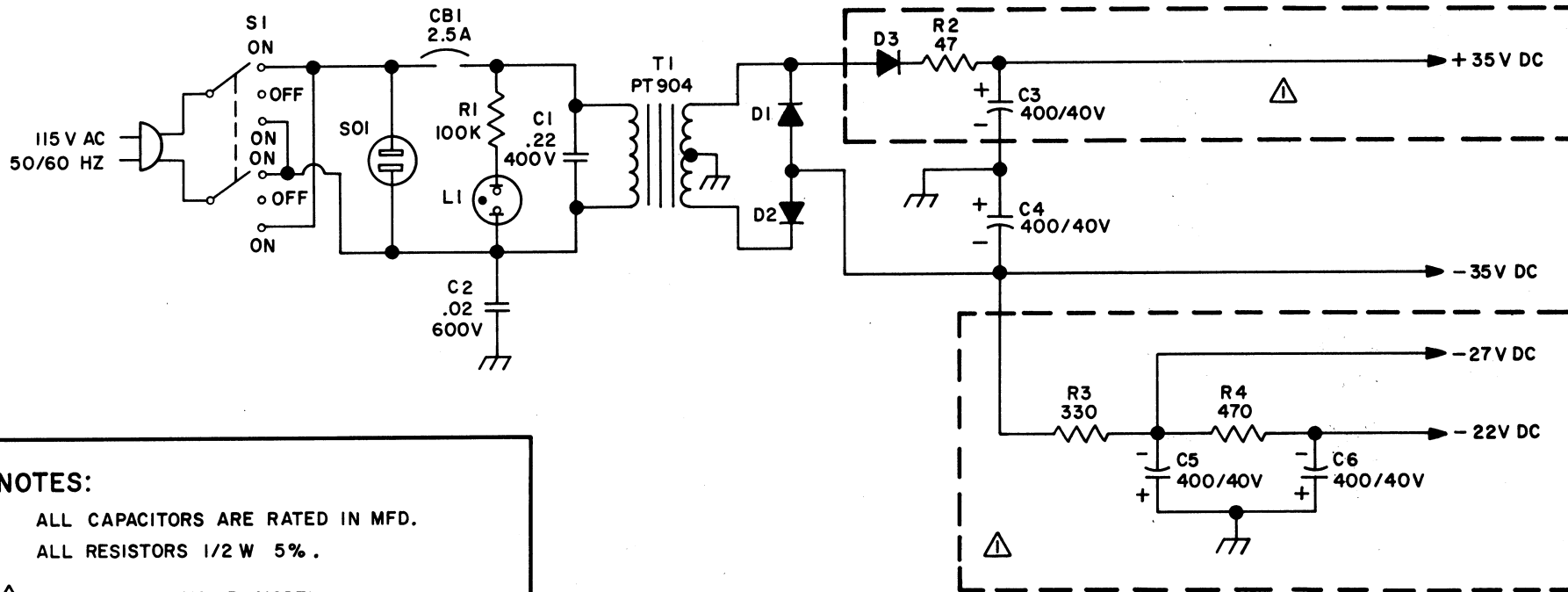
## SERVICE INFORMATION

*"Quality Speaks for Itself"*



EL MONTE • CALIFORNIA • 91731





**NOTES:**

ALL CAPACITORS ARE RATED IN MFD.

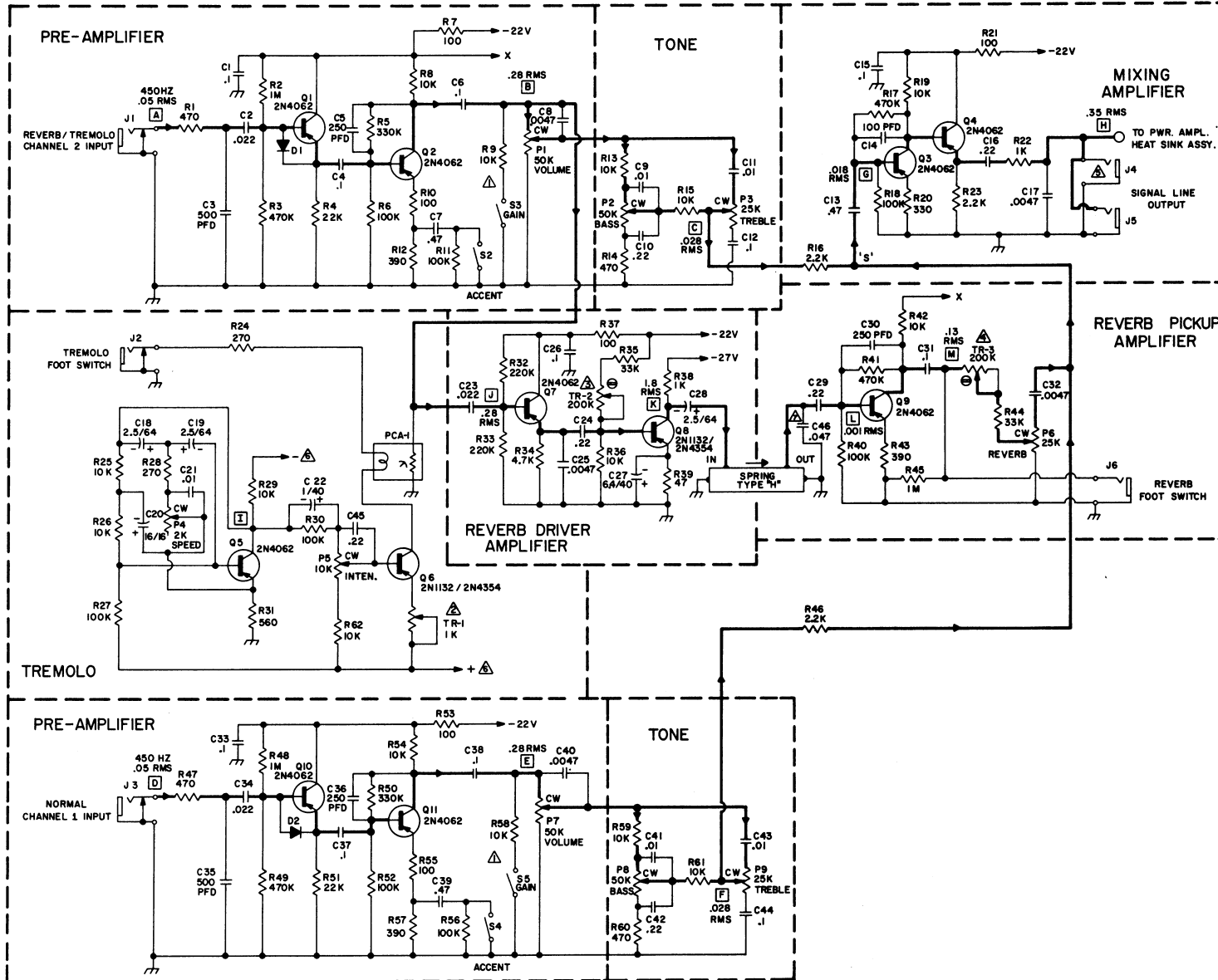
ALL RESISTORS 1/2 W 5% .

⚠ NOT USED ON MC2B MODELS.

*Standel*<sup>®</sup>

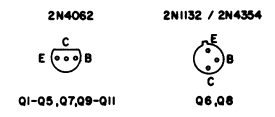
SCHMATIC DIAGRAM  
1970  
POWER SUPPLY  
MC2G & MC2B MODELS

DRAFTSMAN H.M.M.	CHECKED M.D.B.	APP R.G.H.	DATE 3-18-70	1B002
---------------------	-------------------	---------------	-----------------	-------



- NOTES:**
- = INDICATES KEY SIGNAL TRACING TEST POINTS.
  - 'S' = CHANNEL 1, CHANNEL 2 AND REVERB SIGNAL SUMMING POINTS.
  - INDICATES MAIN SIGNAL PATHS.
  - PI-P9, S2-S5, J1-J3 & J6 ARE LOCATED ON FRONT PANEL AND CONNECT TO BOARD VIA LEAD OUT WIRES.
  - J4, J5 ARE LOCATED ON REAR PANEL.
  - ALL CAPACITORS ARE RATED IN MFD AND AT 100V UNLESS NOTED.
  - ALL RESISTORS 1/2W 5% UNLESS NOTED.
  - ▲ S3, S5, R9, R58 ARE USED ONLY ON CUSTOM AND MCII MODELS.
  - ▲ ADJ. TR-1 (TREMOLO SENSITIVITY) TILL TREMOLO JUST STOPS WITH INTENSITY CONTROL OFF.
  - ▲ ADJ. TR-2 (REVERB DRIVER) FOR 10V D.C. ACROSS R 38.
  - ▲ ADJ. TR-3 (REVERB SENSITIVITY) FOR MAXIMUM REVERB WITHOUT FEED BACK.
  - ⊖ INDICATES SCREW DRIVER ADJ.
  - ▲ USED ONLY ON MCII MODEL.
  - ▲ MC II : 35V, STUDIO: 40V, CUSTOM: 45V, MC II GP: 45V.
  - ▲ USED ONLY ON MC II GP MODEL.

BOTTOM VIEWS



*Standel.*

SCHEMATIC DIAGRAM  
MAIN CIRCUIT BOARD  
FOR  
ALL GUITAR MODELS