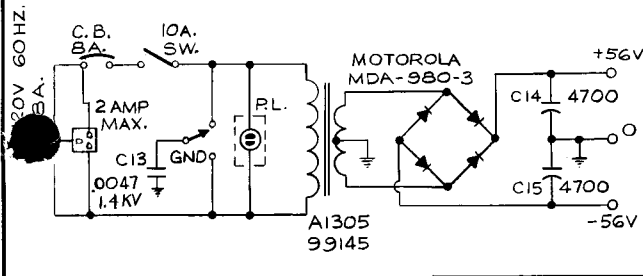
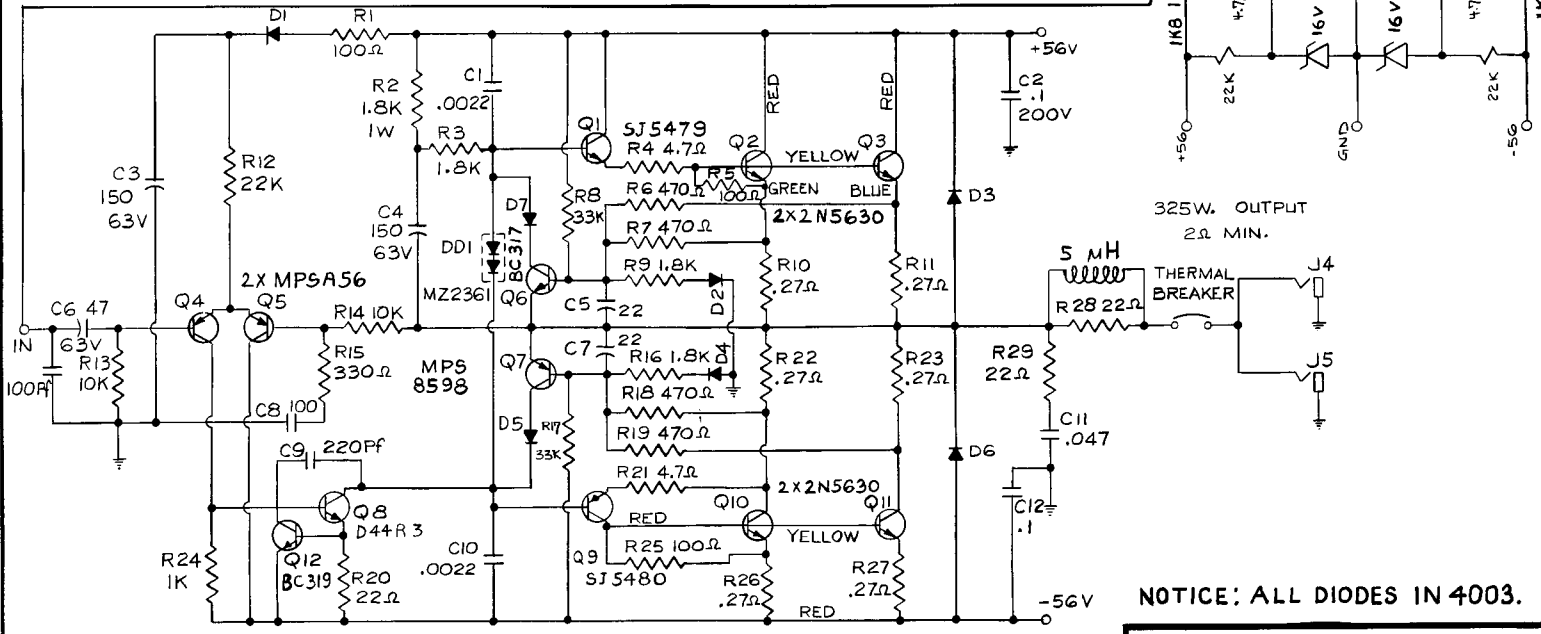
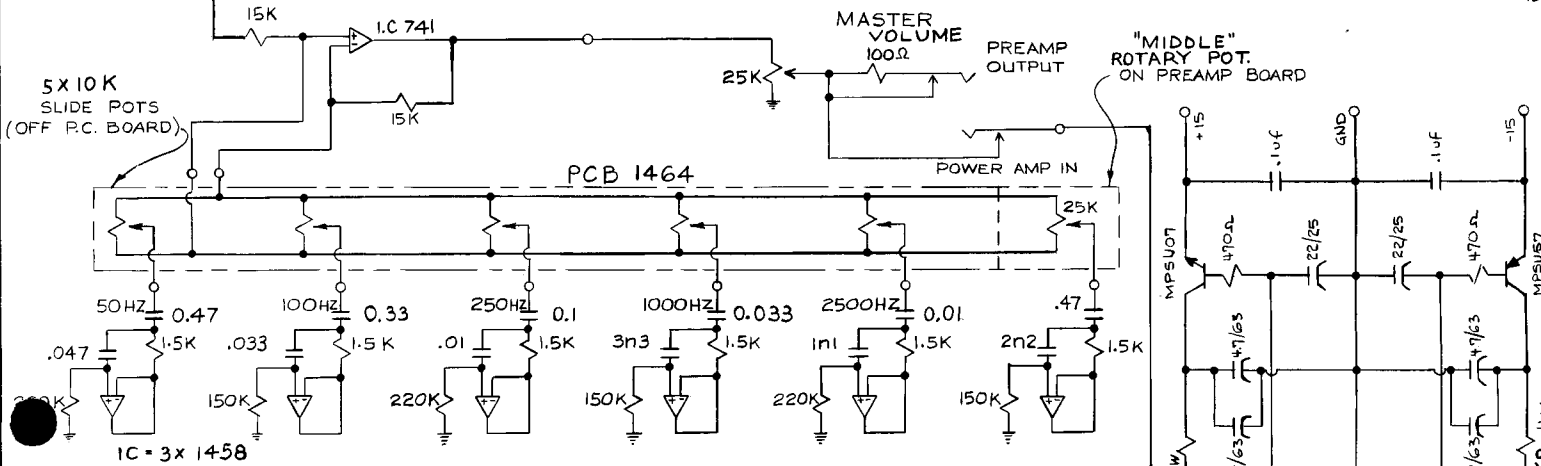
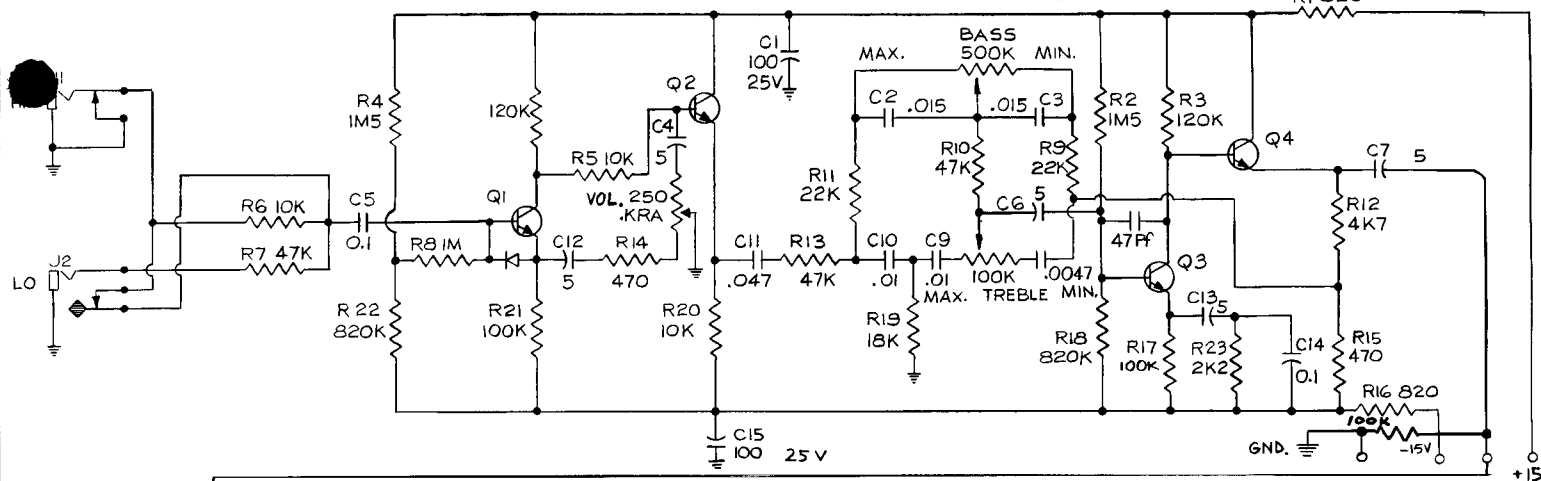


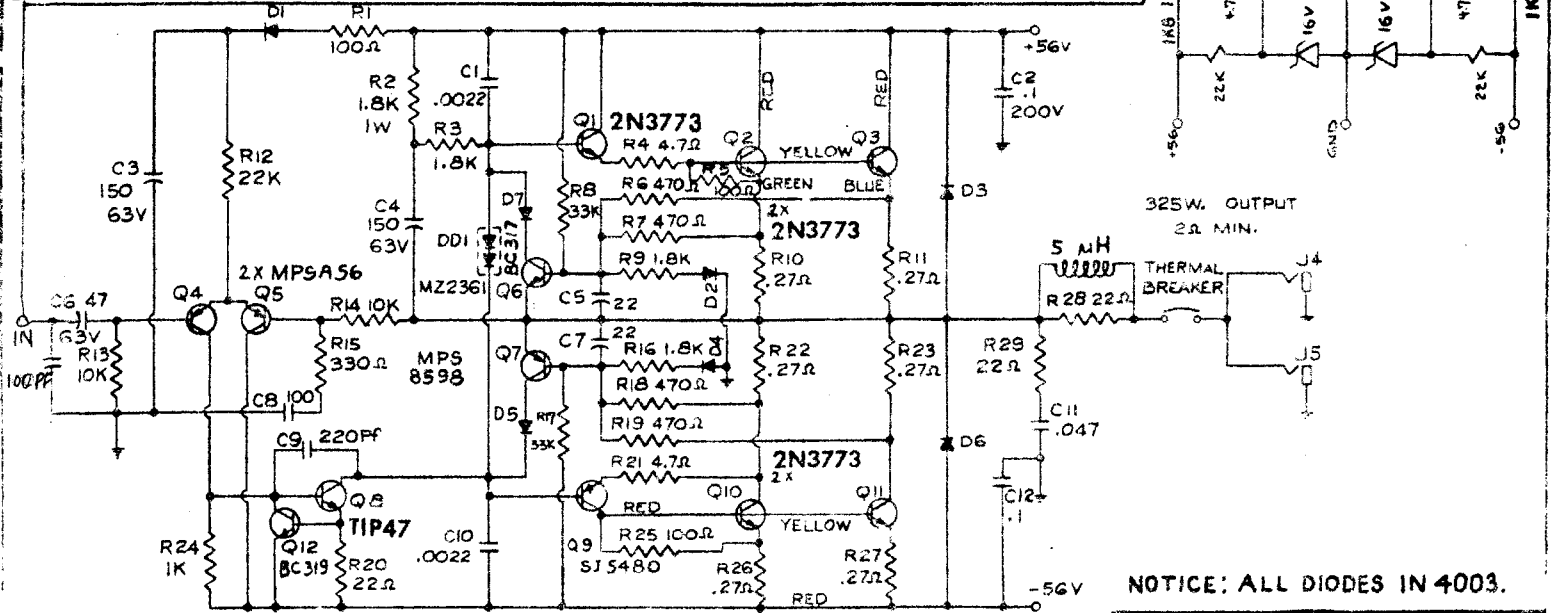
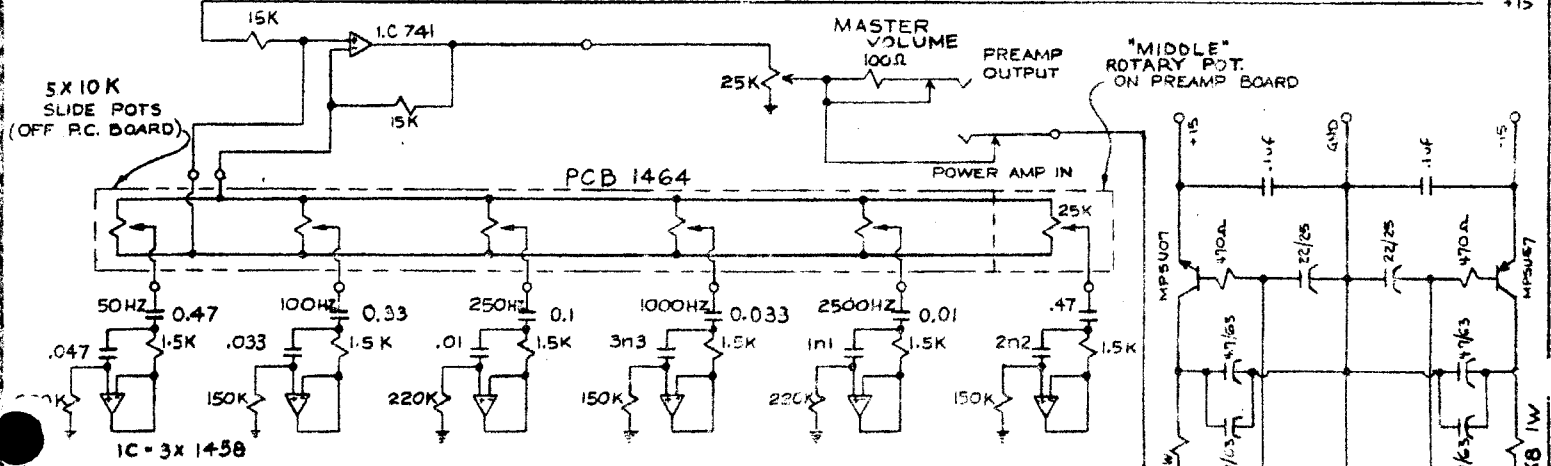
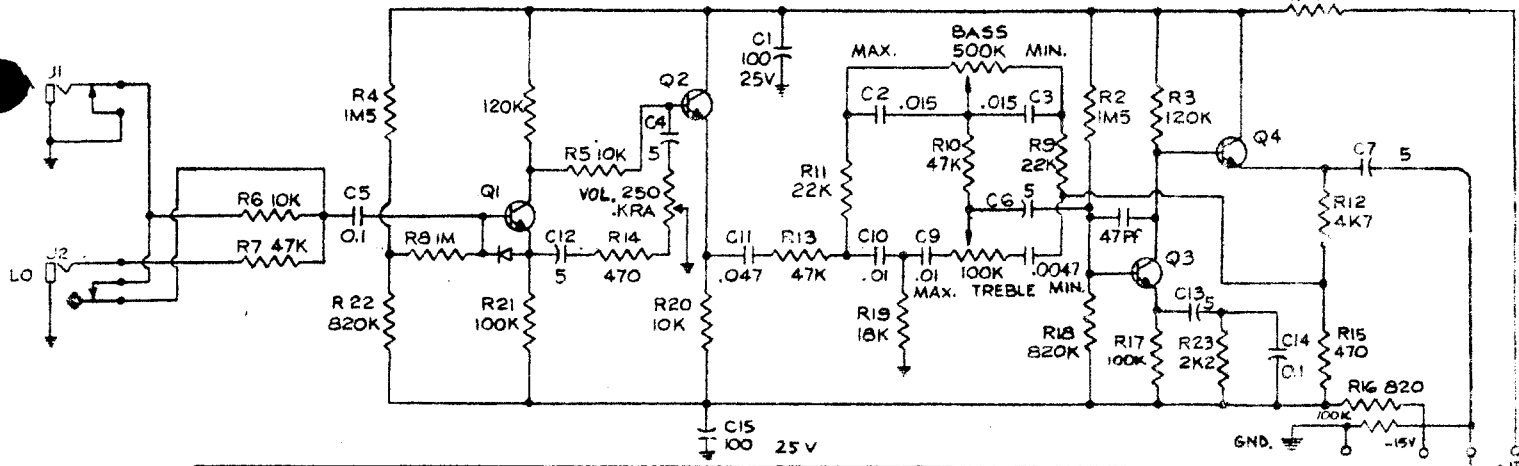
PCB 1463 NOTICE: Q 1,2,3,4. ALL MPS A. 18



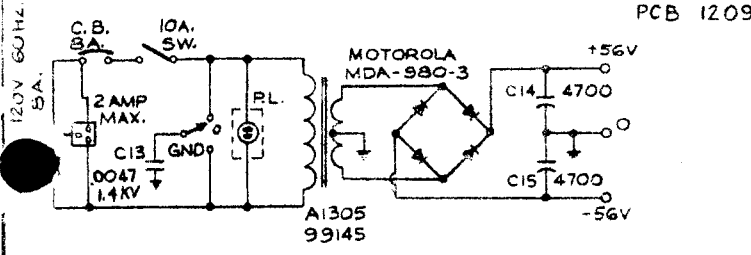
1. ALL CAPACITORS IN MF UNLESS OTHERWISE NOTED.
2. ALL RESISTORS ± 10% IN Ω AT 1/2 WATT UNLESS OTHERWISE NOTED.
3. ALL VOLTAGES MEASURED TO ± 2.0% 11 MEGOHM INPUT, VOLTMETER WITH CONTROLS AT MINIMUM AND LINE AT 117 V AC.

YORKVILLE SOUND LTD.	
MONO BLOCK II	
DESIGN: <i>Ray C. Johnson</i>	DATE: AUG. 76
CHECKED: <i>Ray C. Johnson</i>	
REV. 1	14 OCT. 1976

PCB 1463 NOTICE: Q 1,2,3,4 ALL MPS A.18



NOTICE: ALL DIODES IN 4003.



1. ALL CAPACITORS IN μF UNLESS OTHERWISE NOTED.
2. ALL RESISTORS $\pm 10\%$ IN Ω AT $\frac{1}{2}$ WATT UNLESS OTHERWISE NOTED.
3. ALL VOLTAGES MEASURED TO $\pm 2.0\%$ 11 MEGOHM INPUT, VOLTMETER WITH CONTROLS AT MINIMUM AND LINE AT 117 V AC.

YORKVILLE SOUND LTD.

MONO BLOCK II

DESIGN: *Sam Chelton* DATE: AUG. 76

CHECKED: *Sam Chelton*

8931

REV. 1 14 OCT 1976

VERSION 4.60