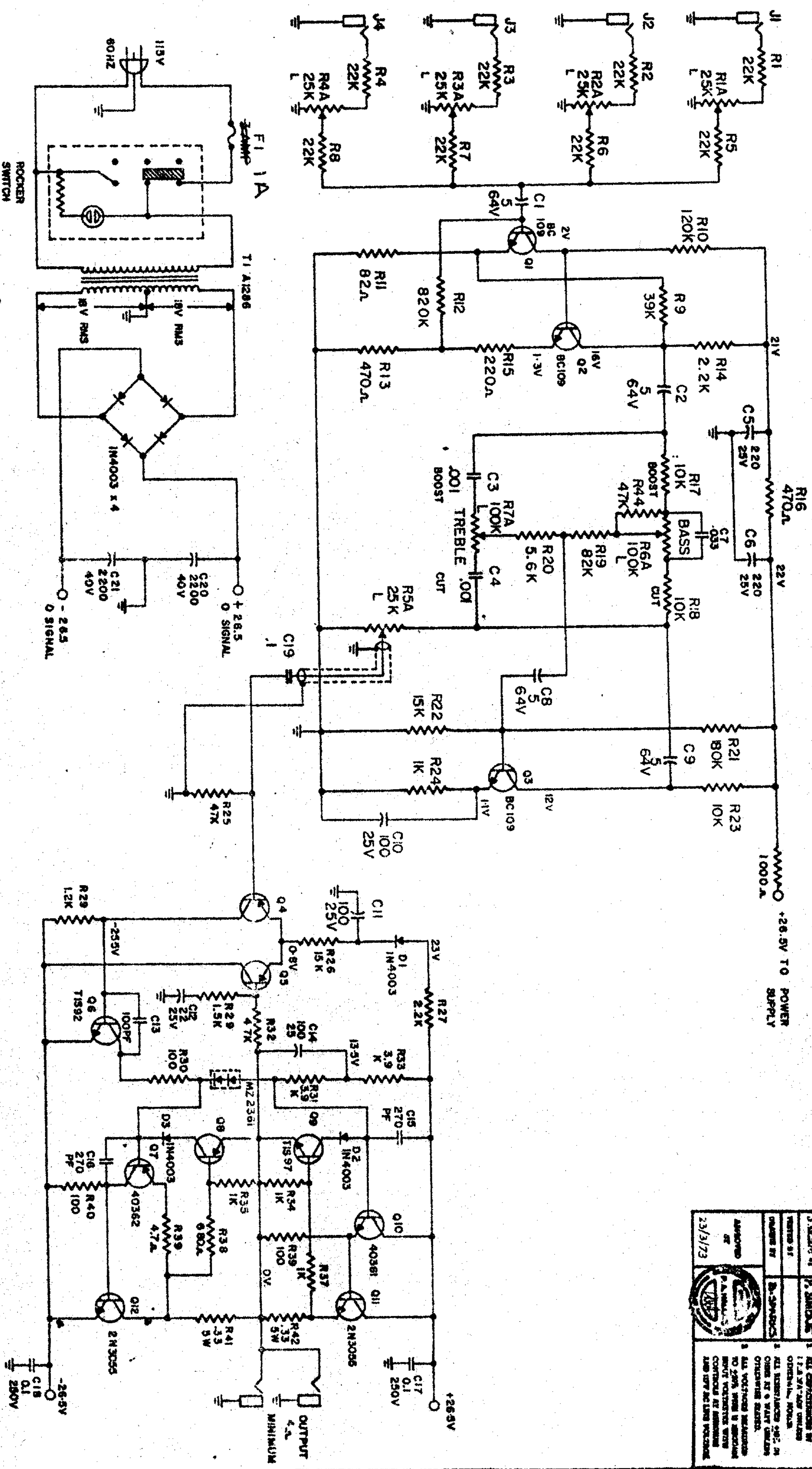


YORKVILLE SOUND LTD.

YVM-2

DATE	1/72
DESIGNED BY	P. SIMONIC
REVISIONS	1. ALL COMPONENTS BY YORKVILLE SOUND LTD. OR BY OTHER SOURCES AS NOTED.
DATE	23/3/73
APPROVED BY	B. SIMONIC
DATE	23/3/73
REVISIONS	2. ALL RESISTORS SPEC. IN OHMS BY 5 VOLT DIGITAL OTHERWISE STATED.
	3. ALL VOLTAGES RELATIVE TO GND, UNLESS OTHERWISE SPECIFIED.
	4. ALL VOLTAGES RELATIVE TO GND, UNLESS OTHERWISE SPECIFIED.
	5. ALL VOLTAGES RELATIVE TO GND, UNLESS OTHERWISE SPECIFIED.



0.45A, BC170R 2N5098.
 LAST RESISTOR R42
 LAST CAPACITOR C21