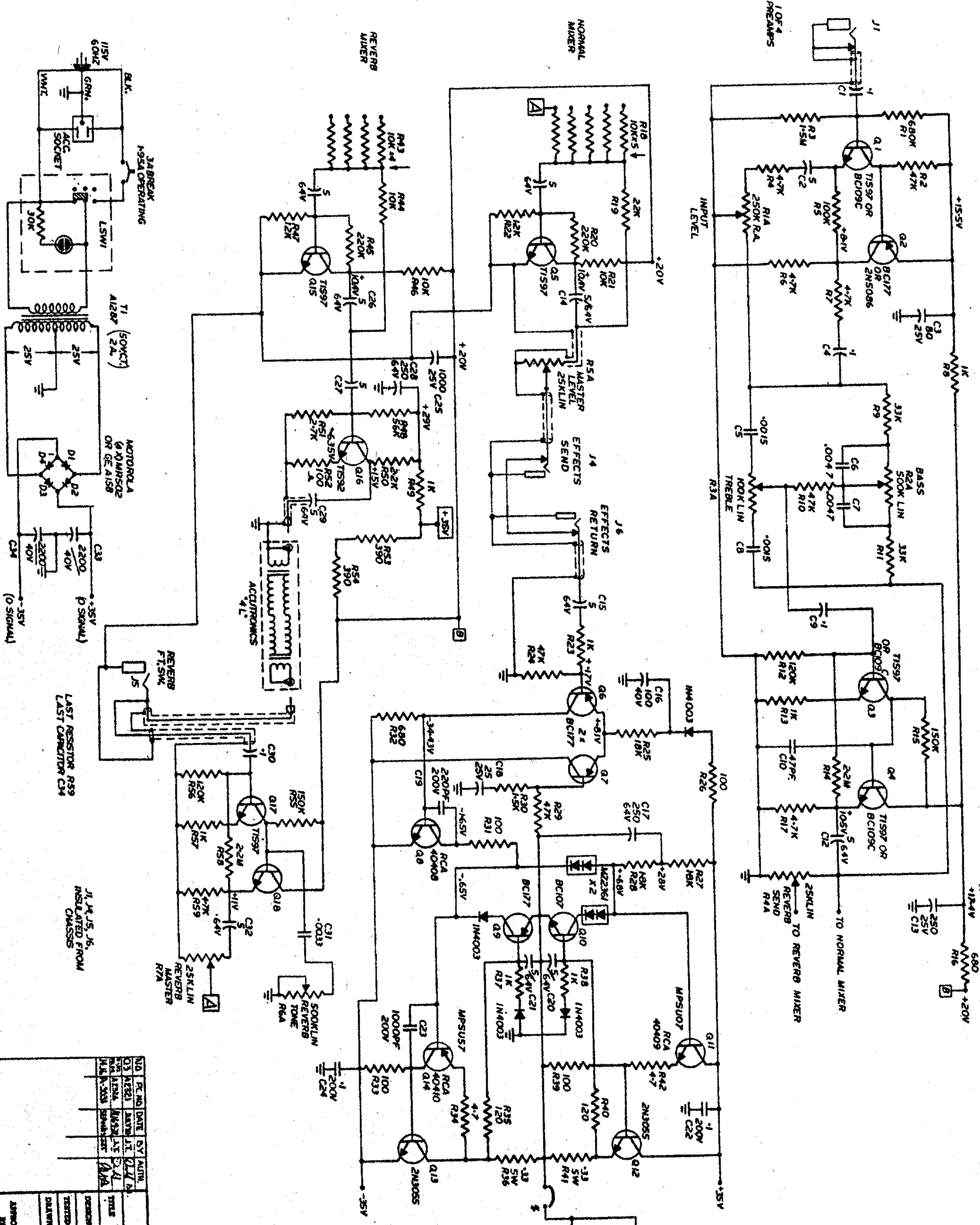


WIND FEVERB - replace C25 - lcky



*THERMAL SWITCH
OPEN AT HEATSINK TEMP
OF 100°C
SELF-RESETTING AT
HEATSINK TEMP
OF APPROX 85°C

TOTAL IMPEDANCE
27 OHMS MIN.

NO	REV	DATE	BY	INIT
03	REV 1	1974	JT	DL
02	REV 2	1974	JT	DL
01	REV 3	1974	JT	DL

DESIGNED BY	WANDERLEEN
TESTED BY	DL
DRAWN BY	LIZASEY
APPROVED BY	

YORKVILLE SOUND LTD.
4 CHANNEL PA

1. ALL CAPACITORS IN MICROFARADS UNLESS OTHERWISE NOTED
2. ALL RESISTORS IN OHMS UNLESS OTHERWISE NOTED
3. ALL VOLTAGES MEASURED TO GND UNLESS OTHERWISE NOTED
4. ALL VOLTAGES MEASURED WITH CONTROLS AT NORM. POS. AND UNLESS OTHERWISE NOTED