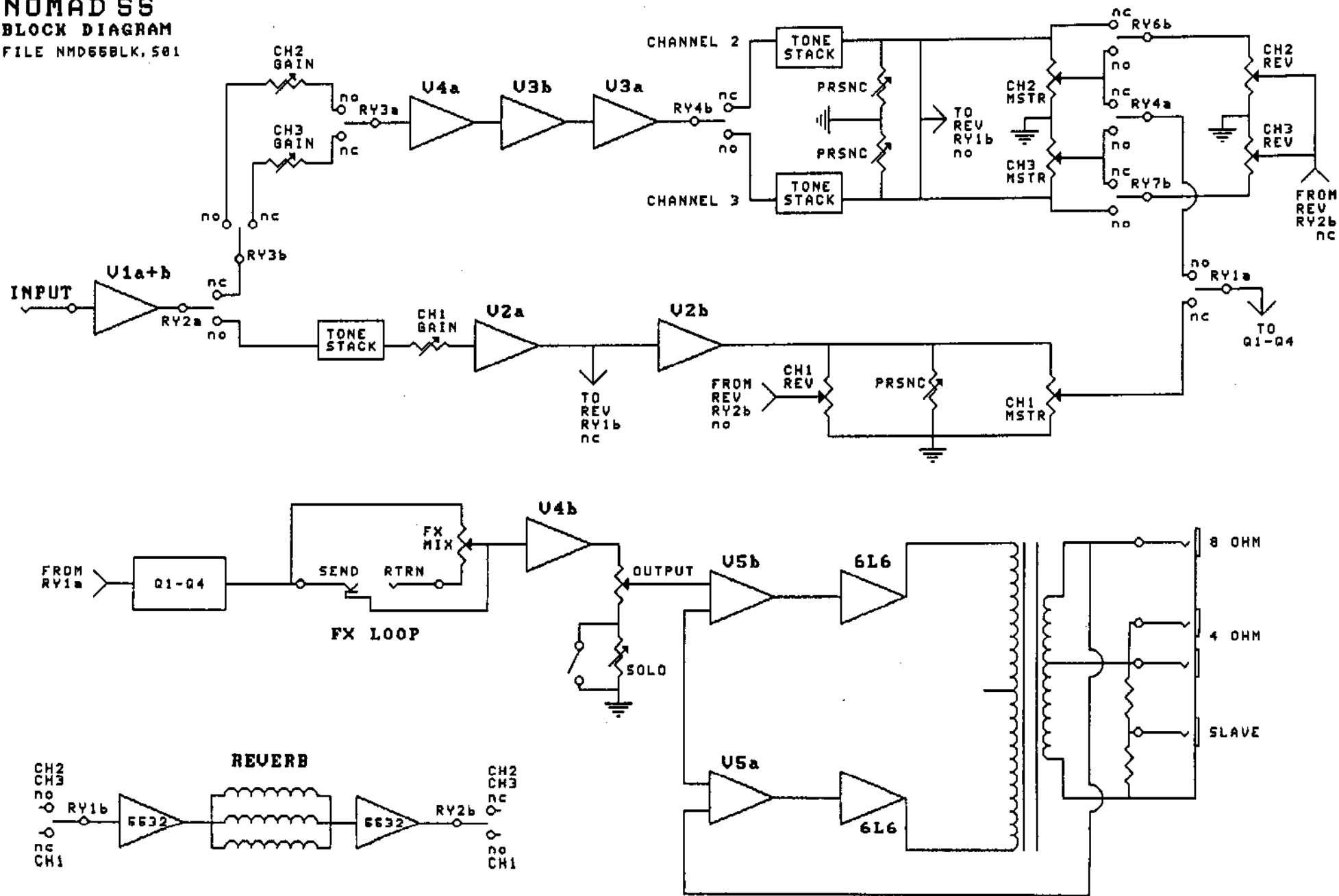




**nomad**<sup>TM</sup>  
FIFTY-FIVE

**MESA-BOOGIE**  
**NOMAD 55**  
**BLOCK DIAGRAM**  
 FILE NMD55BLK.501

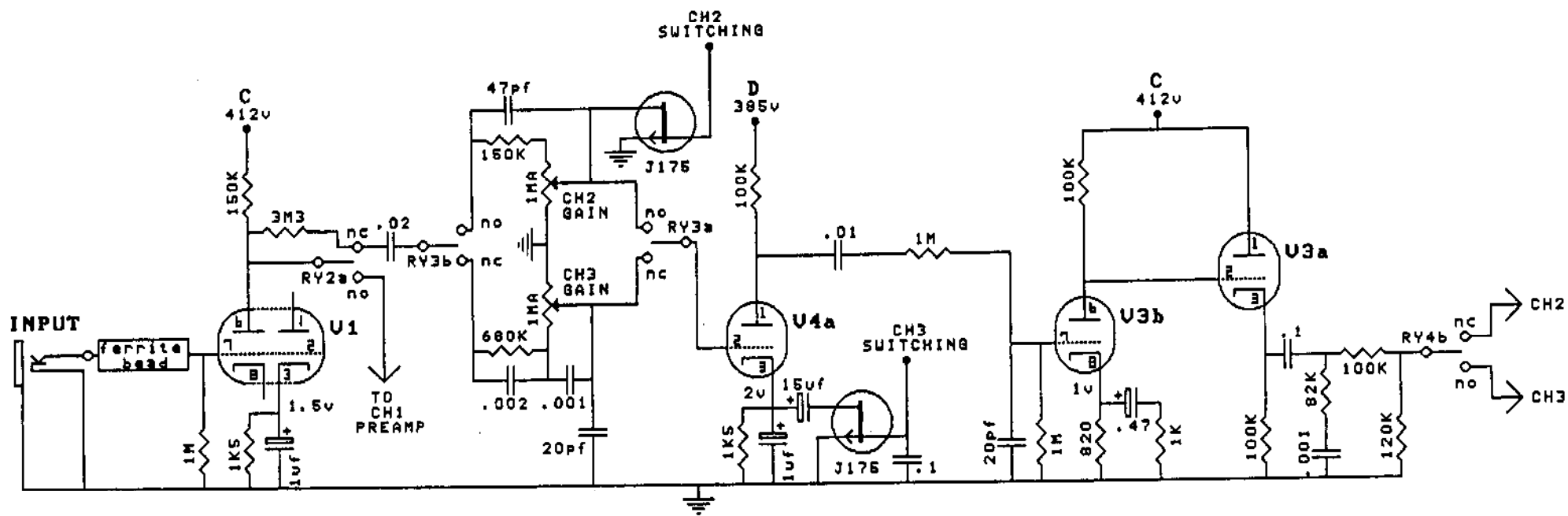






# MESA-BOOGIE NOMAD 55

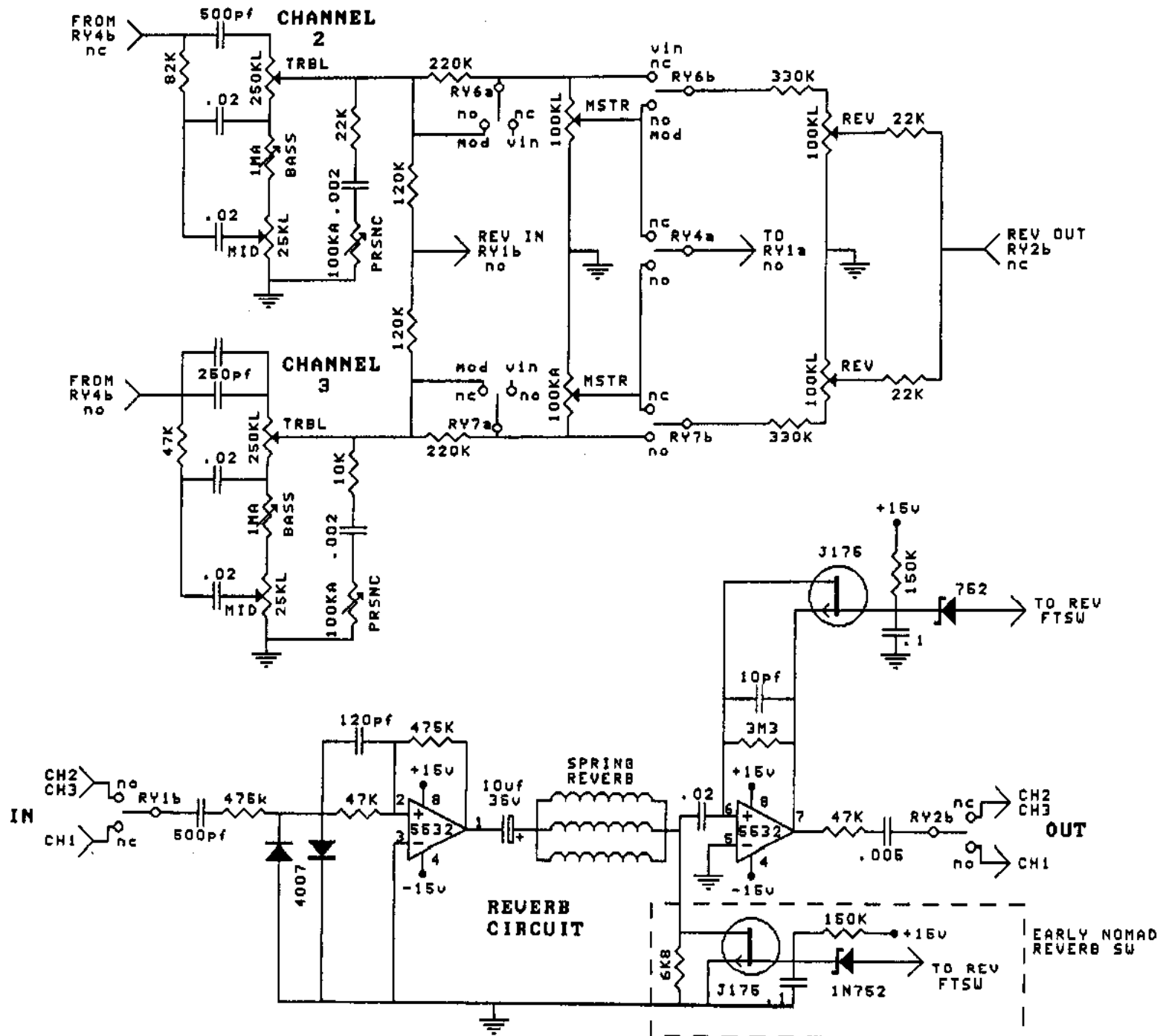
CH2 CH3 PREAMP  
FILE NMD55PR2.501



# MESA-BOOGIE NOMAD

CH2 CH3 PREAMP PT2  
REVERB

FILE NMDPRE3.S01

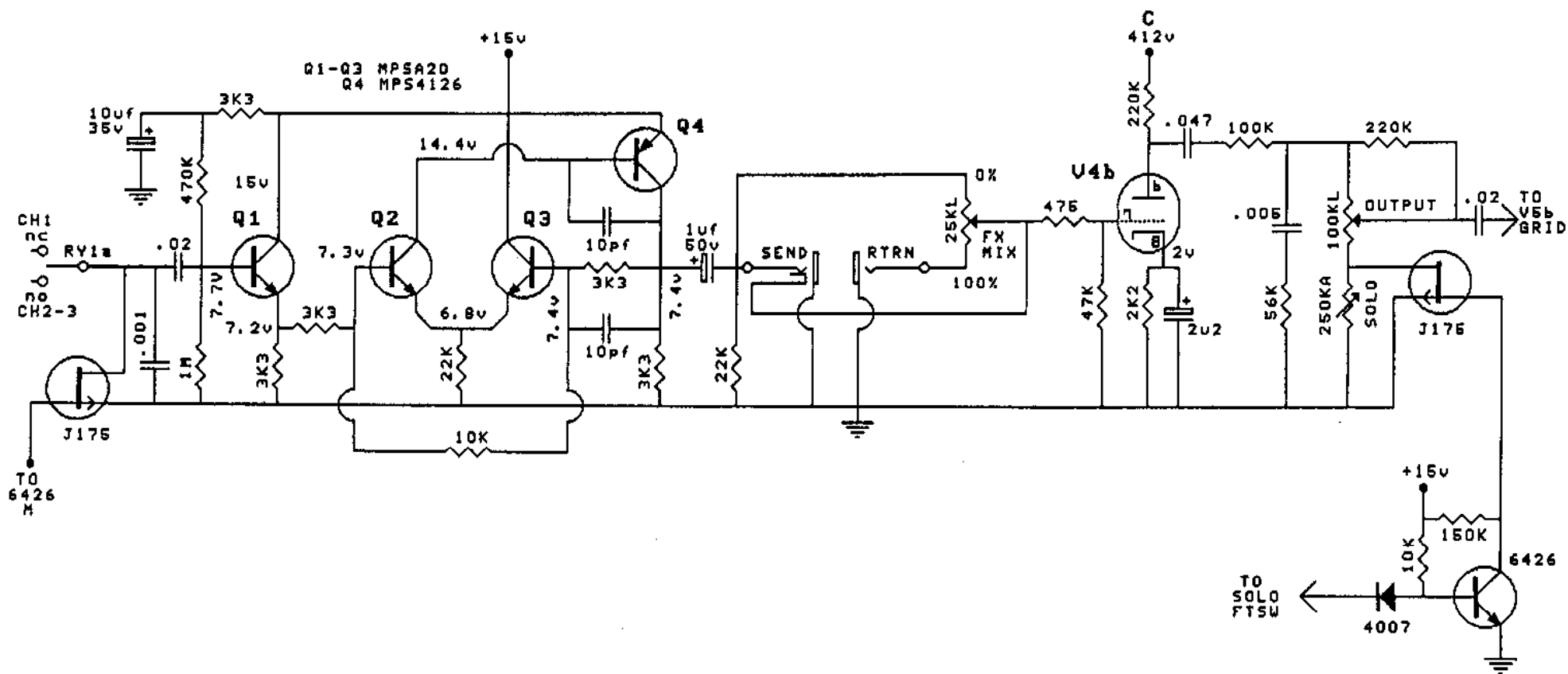


# MESA-BOOGIE NOMAD 55

## FX LOOP

FILE NMDBEPR4.S01

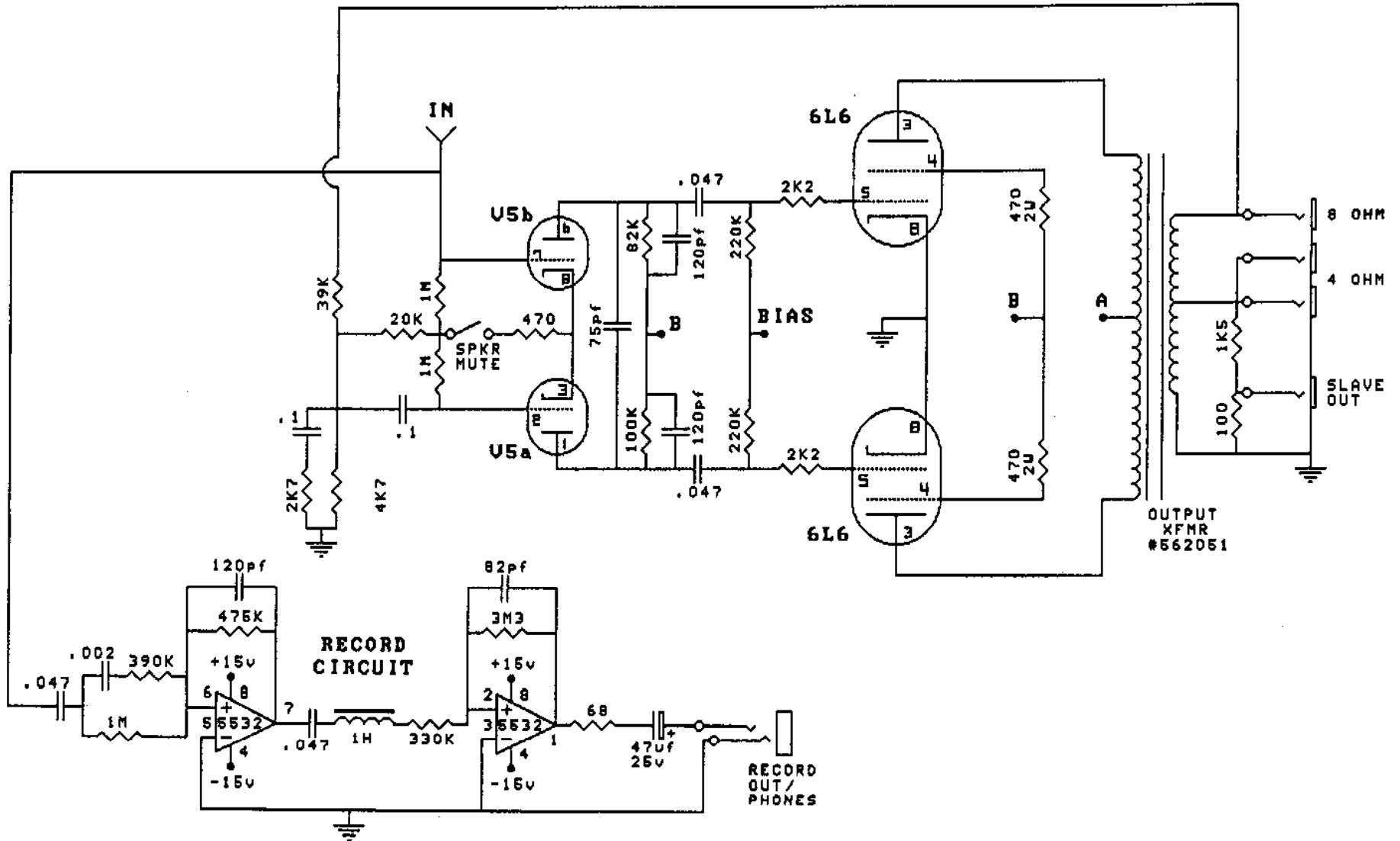
## FX LOOP



# IESA-BOOGIE 10MAD 55

POWER AMP  
RECORD OUT

FILE NMD55PUR.501

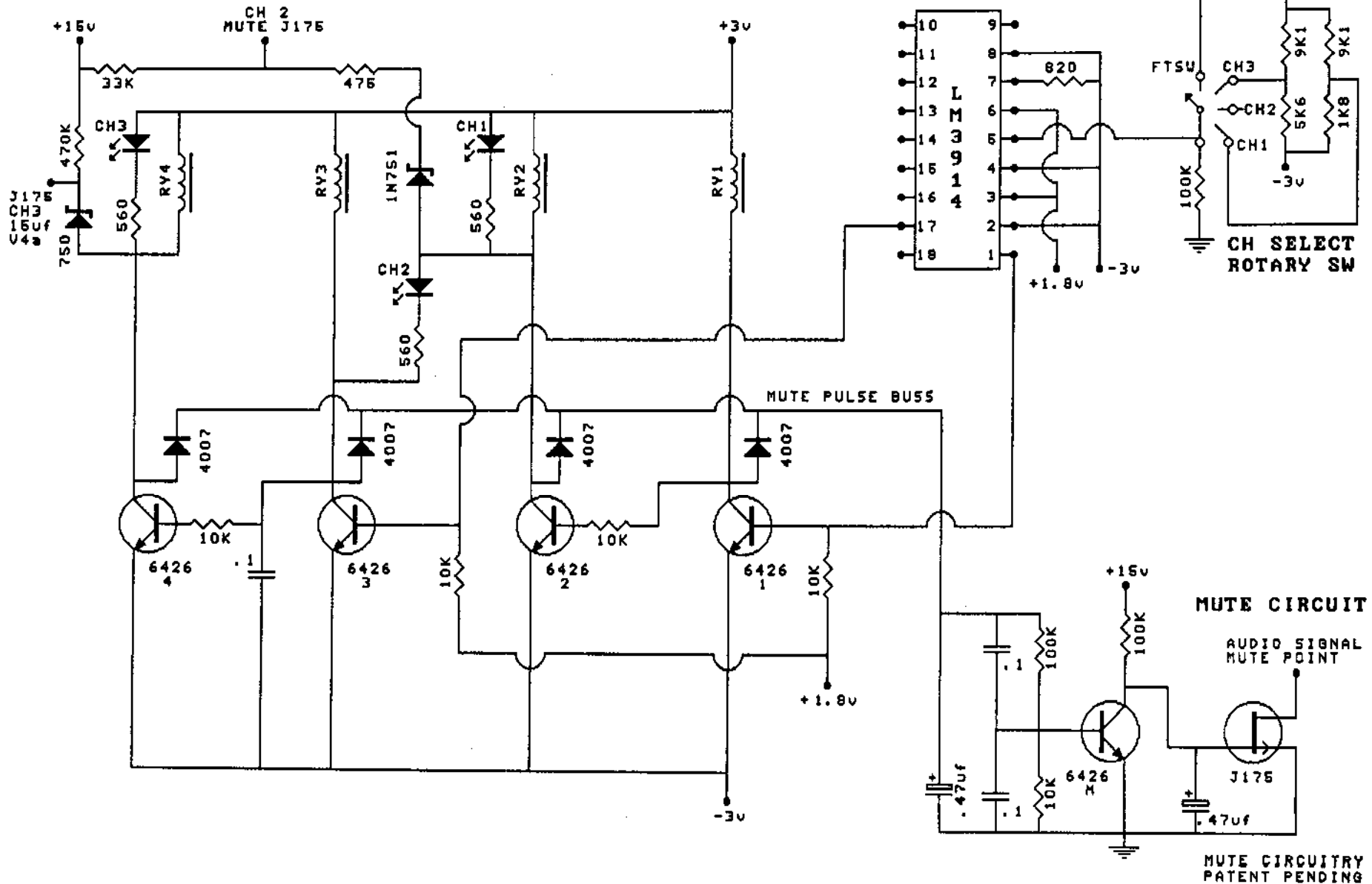


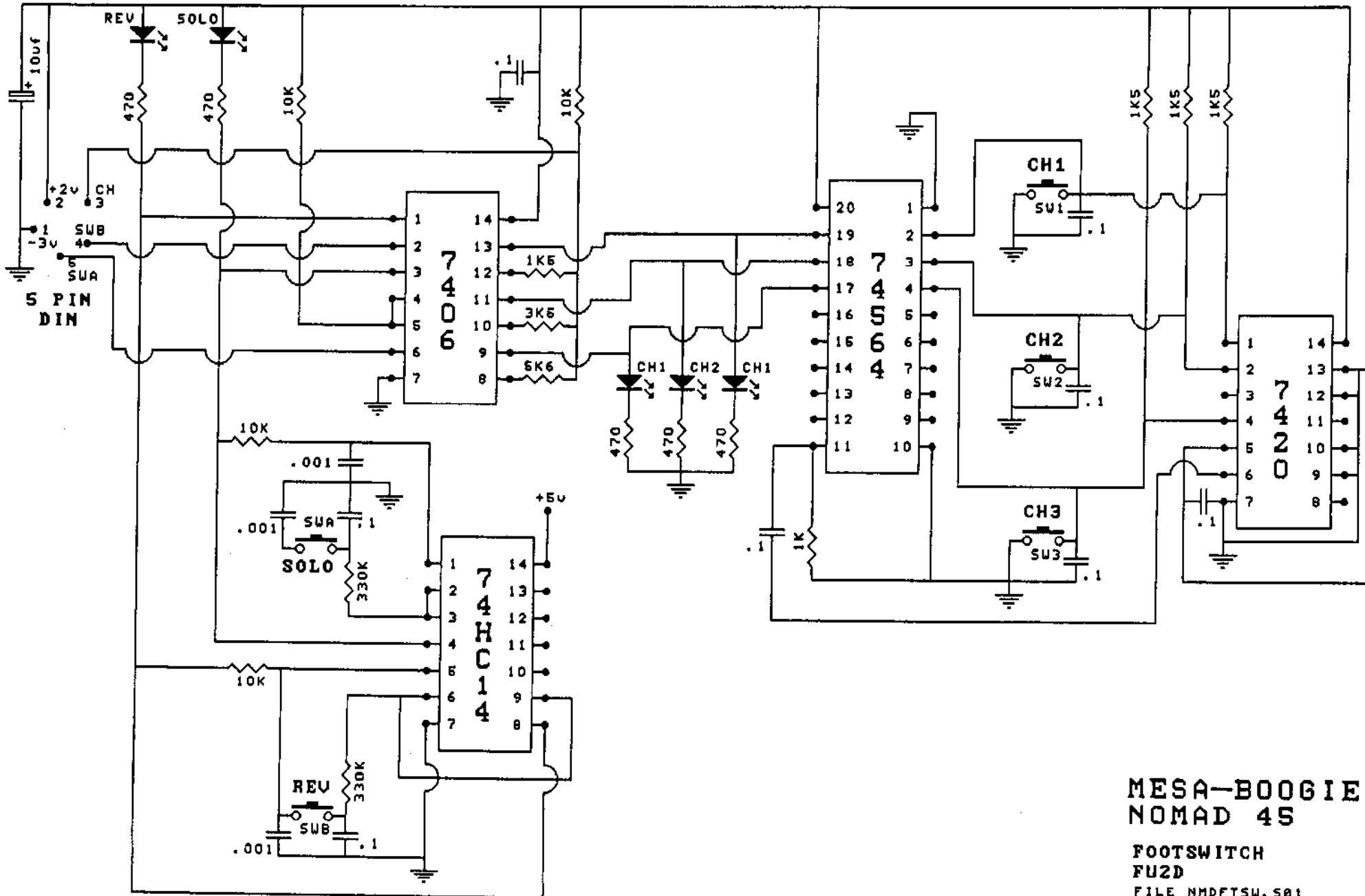


**MESA-BOOGIE  
NOMAD  
SWITCHING MATRIX**  
FILE NMDSU.501

**LM3914 Pin 5 Voltages**

|     | FTSU  | ROTARY |
|-----|-------|--------|
| CH1 | -2.6V | -2.6V  |
| CH2 | 1.3V  | 0V     |
| CH3 | -1.6V | -1.4V  |





**MESA-BOOGIE  
NOMAD 45**

**FOOTSWITCH  
FU2D**

FILE NMDFTSW.501