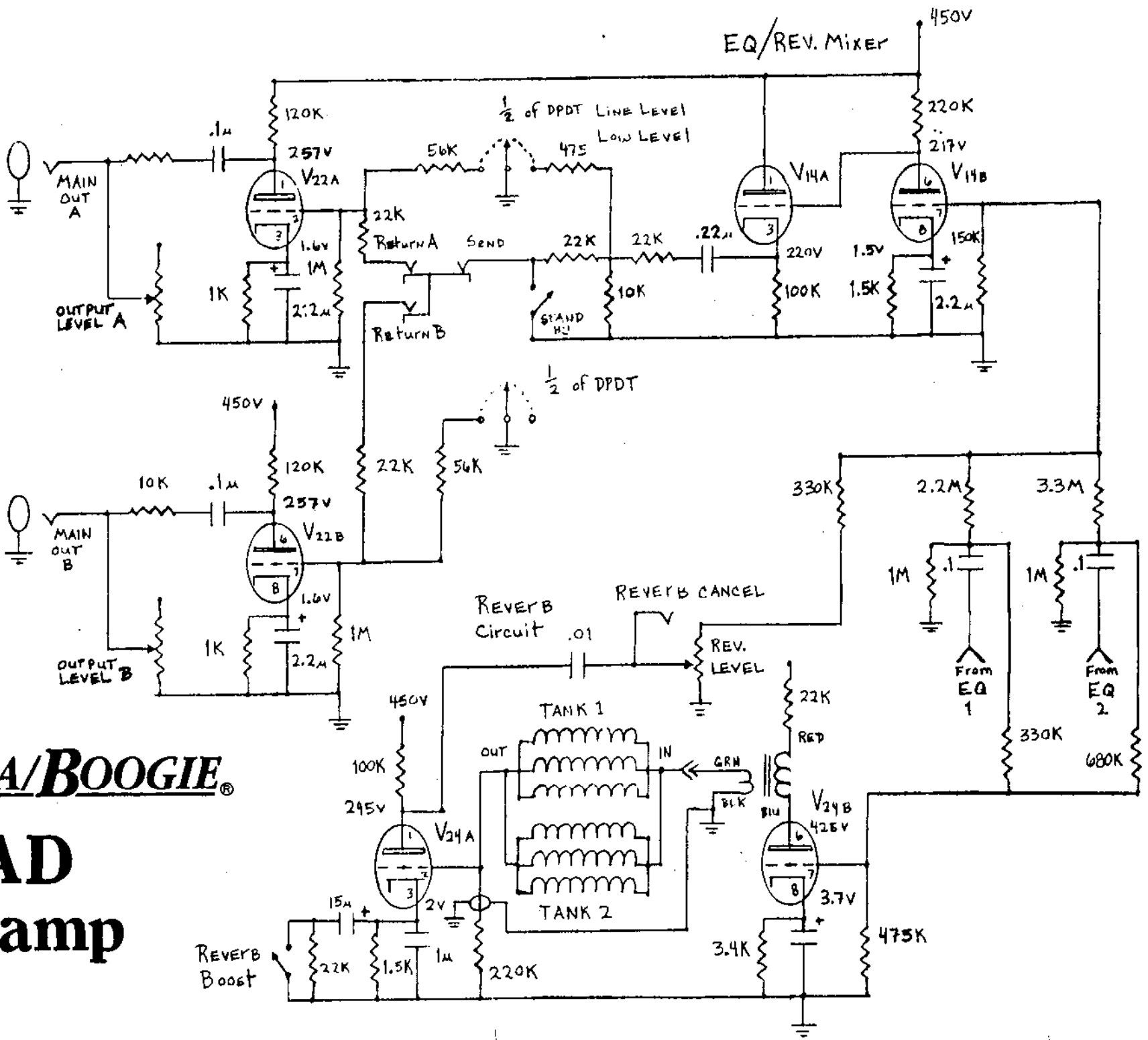


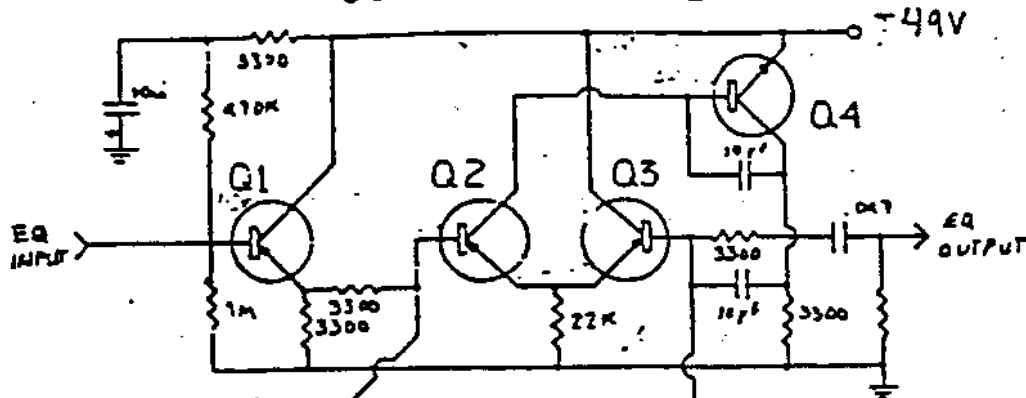
**MESA/BOOGIE®**

# QUAD Preamp

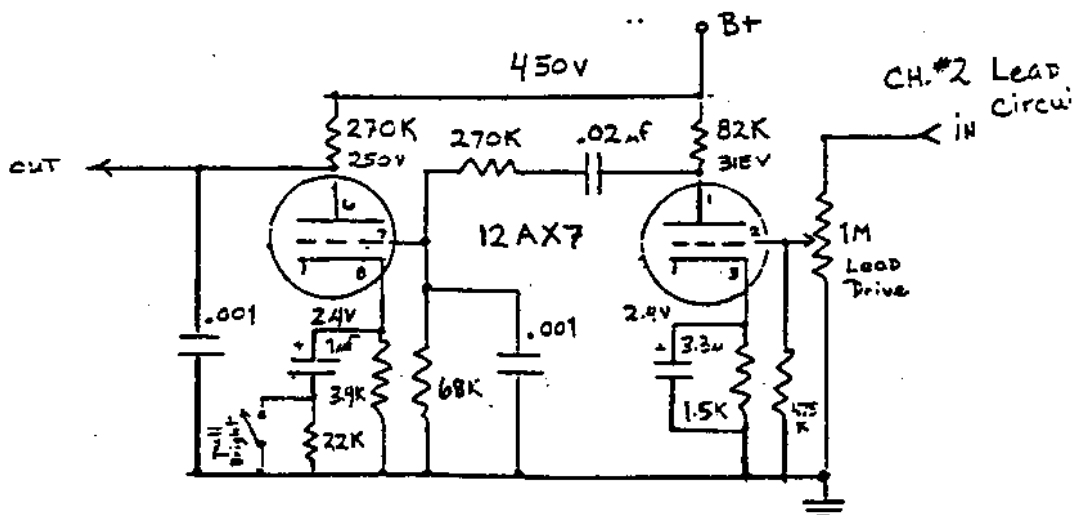
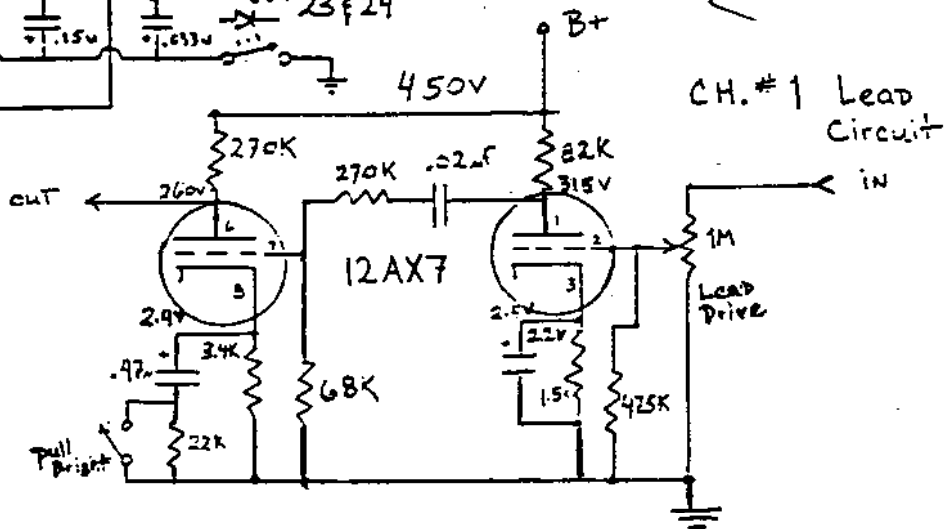
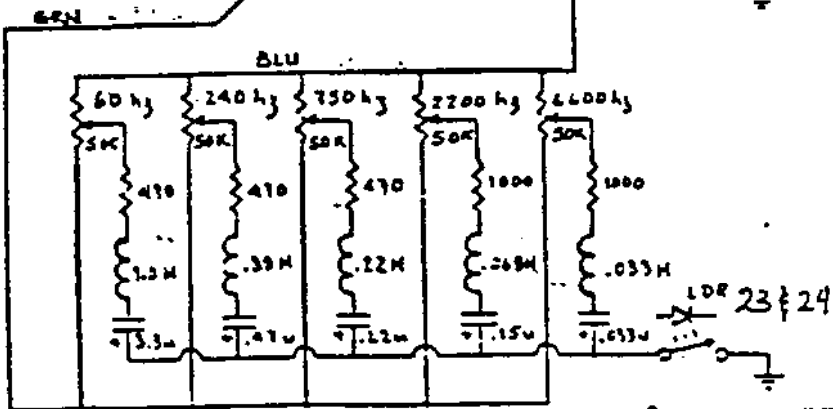




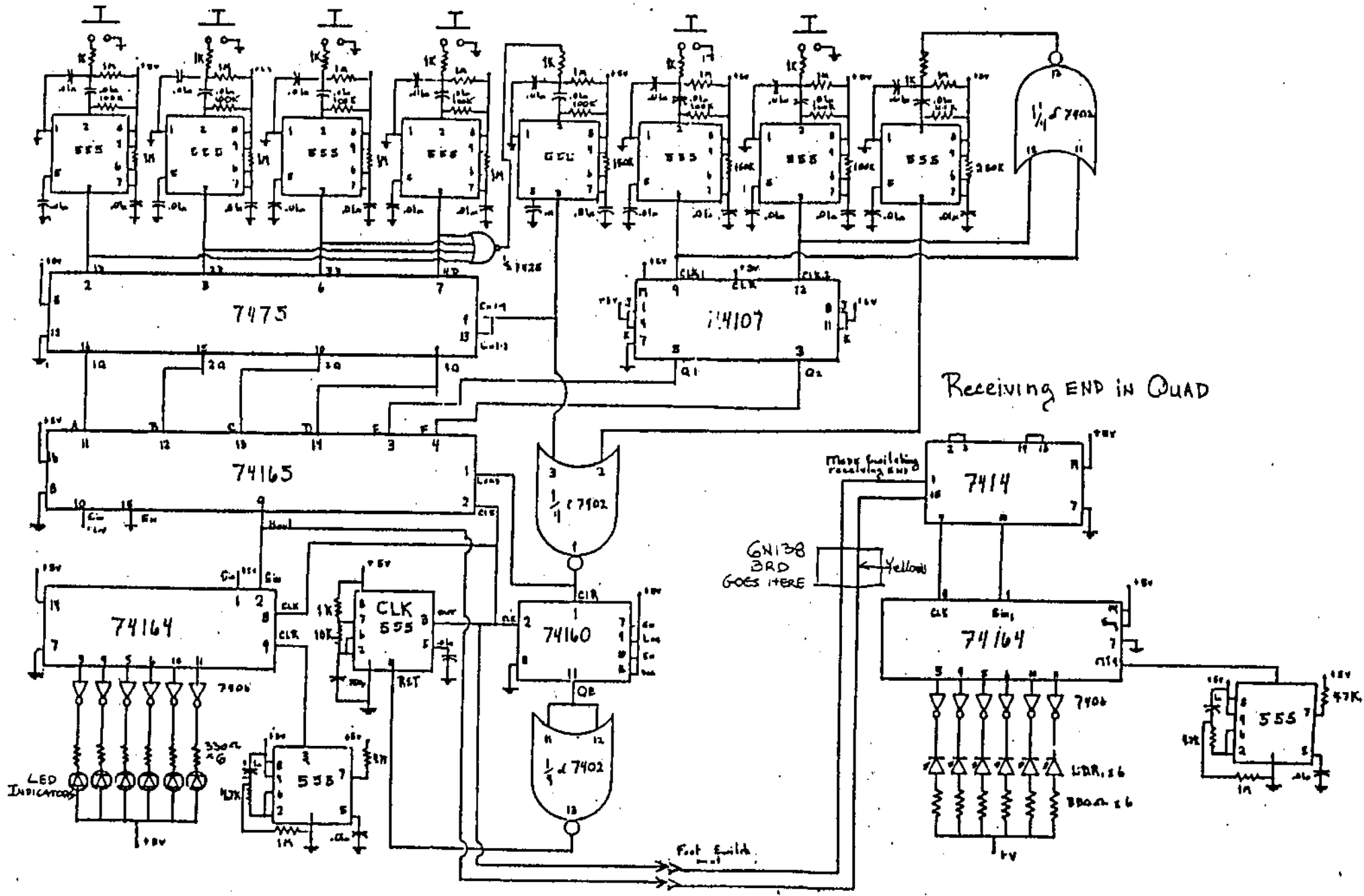
GRAPHIC EQUALIZER #1 AND #2



QUAD  
graphic  
&  
Lead  
circuits



# QUAD Foot switch. MESA Boogie®



all external switch Jacks enable mode/function when tip of Jack is connected to Ground!

