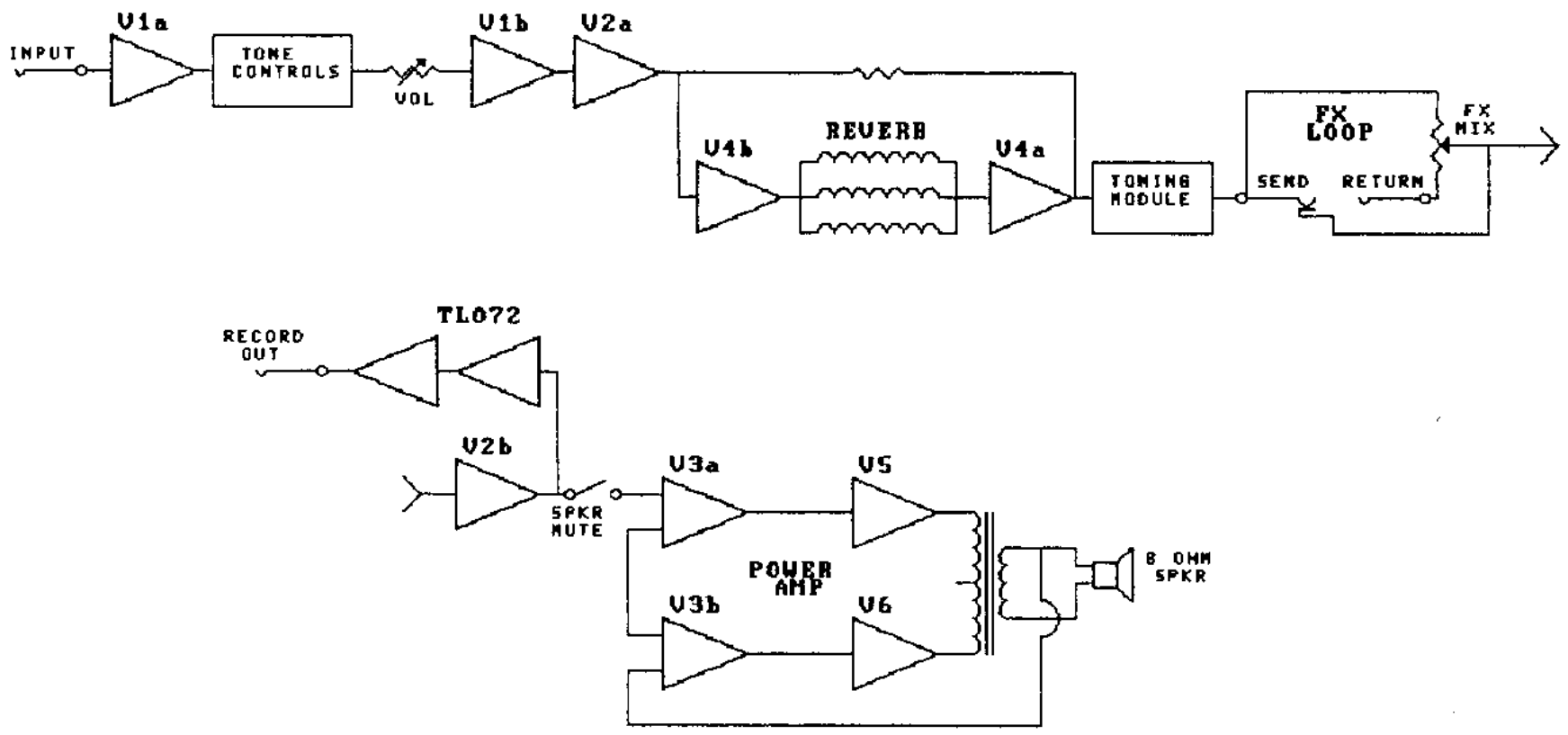


# MESA-BOOGIE SUBWAY BLUES

BLOCK DIAGRAM  
FILE SUBBLOCK.S01

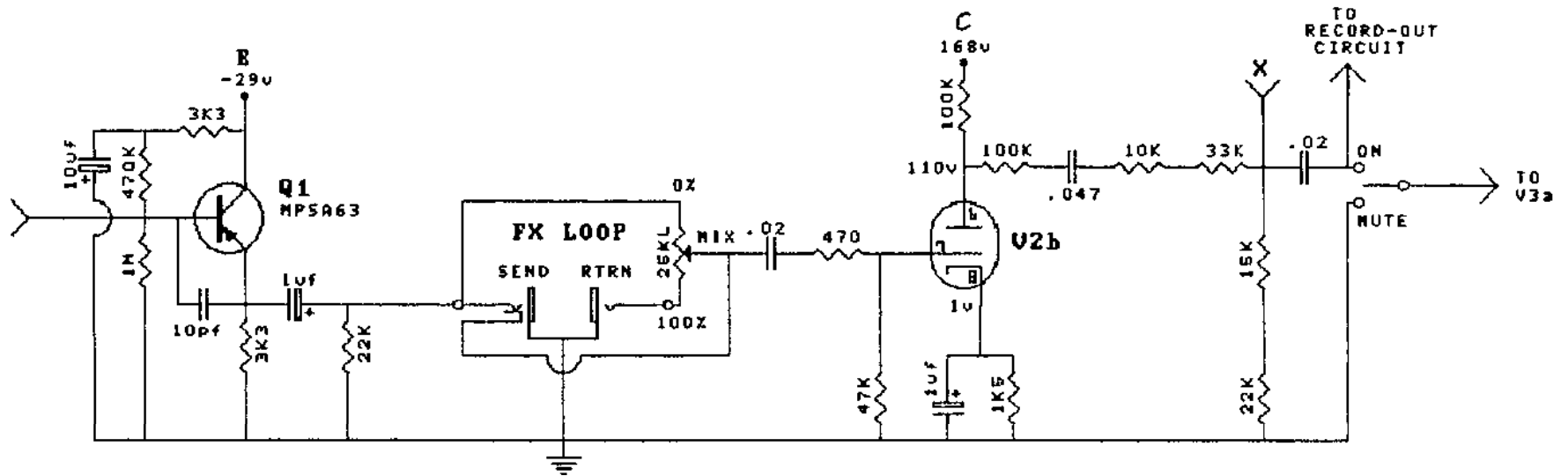
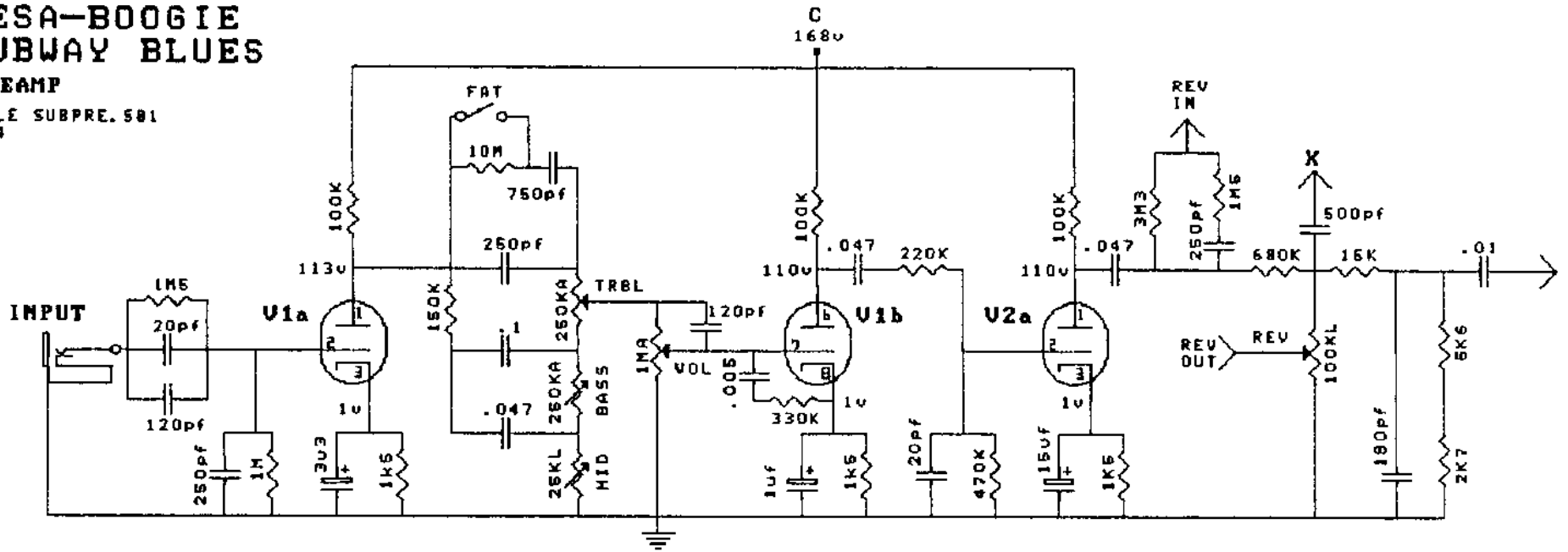


# MESA-BOOGIE SUBWAY BLUES

## PREAMP

FILE SUBPRE. 581

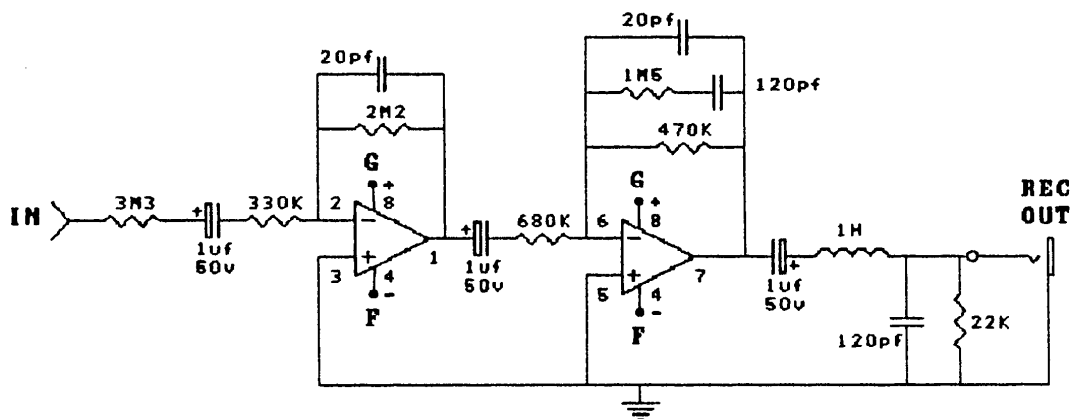
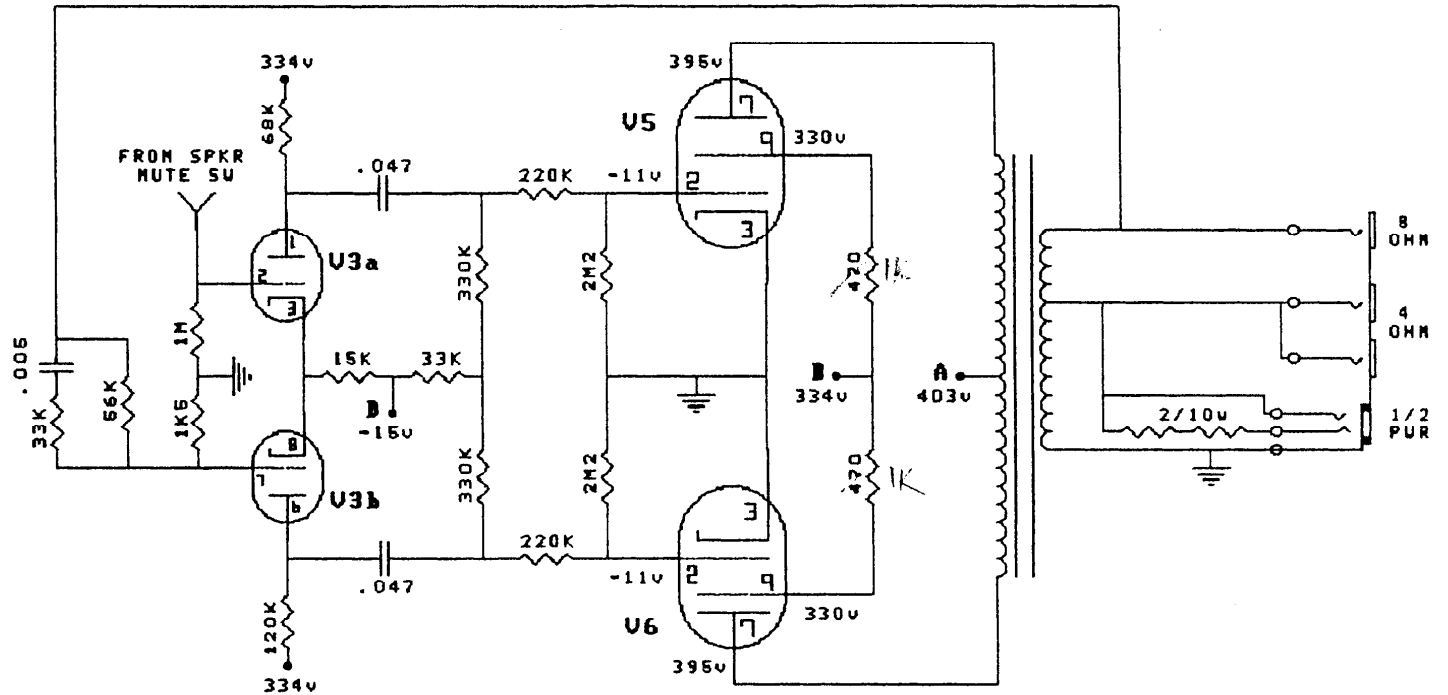
3/4



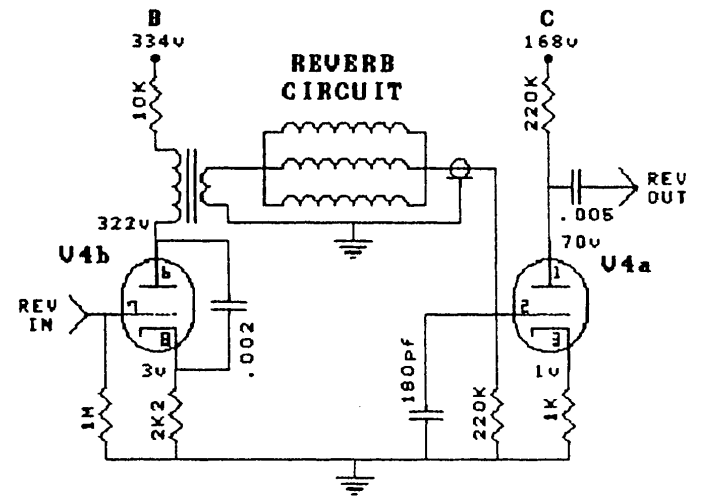
# MESA-BOOGIE SUBWAY BLUES

POWER AMP  
REVERB  
RECORD OUT

FILE SUBPUR.501  
4/4



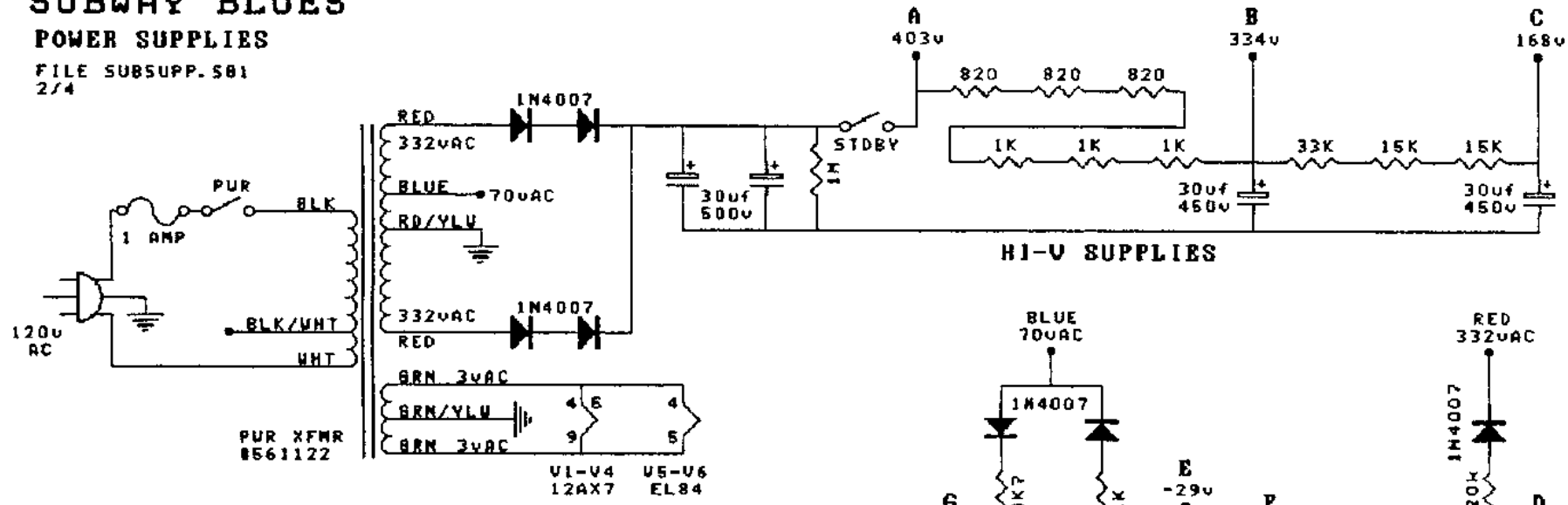
RECORD OUT CIRCUIT - TL072



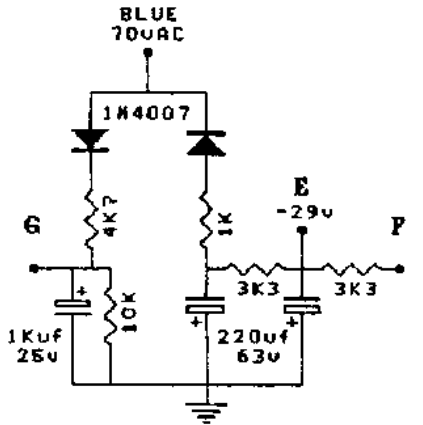
# MESA-BOOGIE SUBWAY BLUES

## POWER SUPPLIES

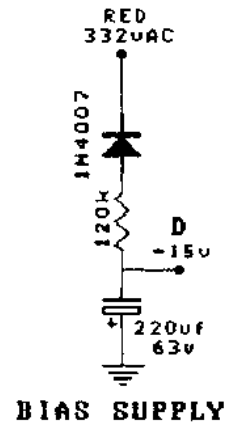
FILE SUBSUPP. 581  
2/4



HI-V SUPPLIES



LO-V SUPPLIES



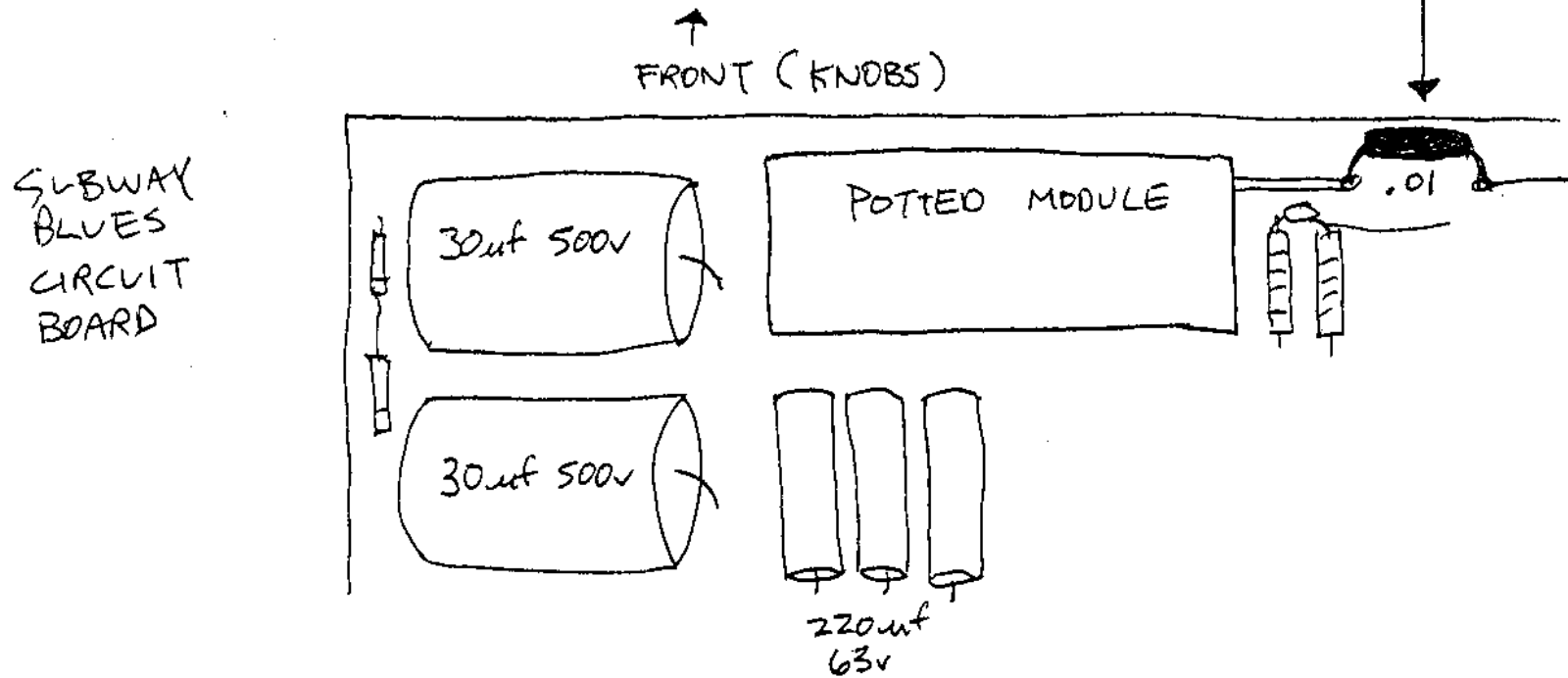
BIAS SUPPLY

# SUBWAY BLUES

April 1998

HUM REDUCTION MOD  
FOR POTTED CIRCUIT BOARDS

CHANGE THIS CAP (.01)  
TO .68/250V



1. Remove orange .01/400V cap from above location
2. Replace with supplied .68/250V cap