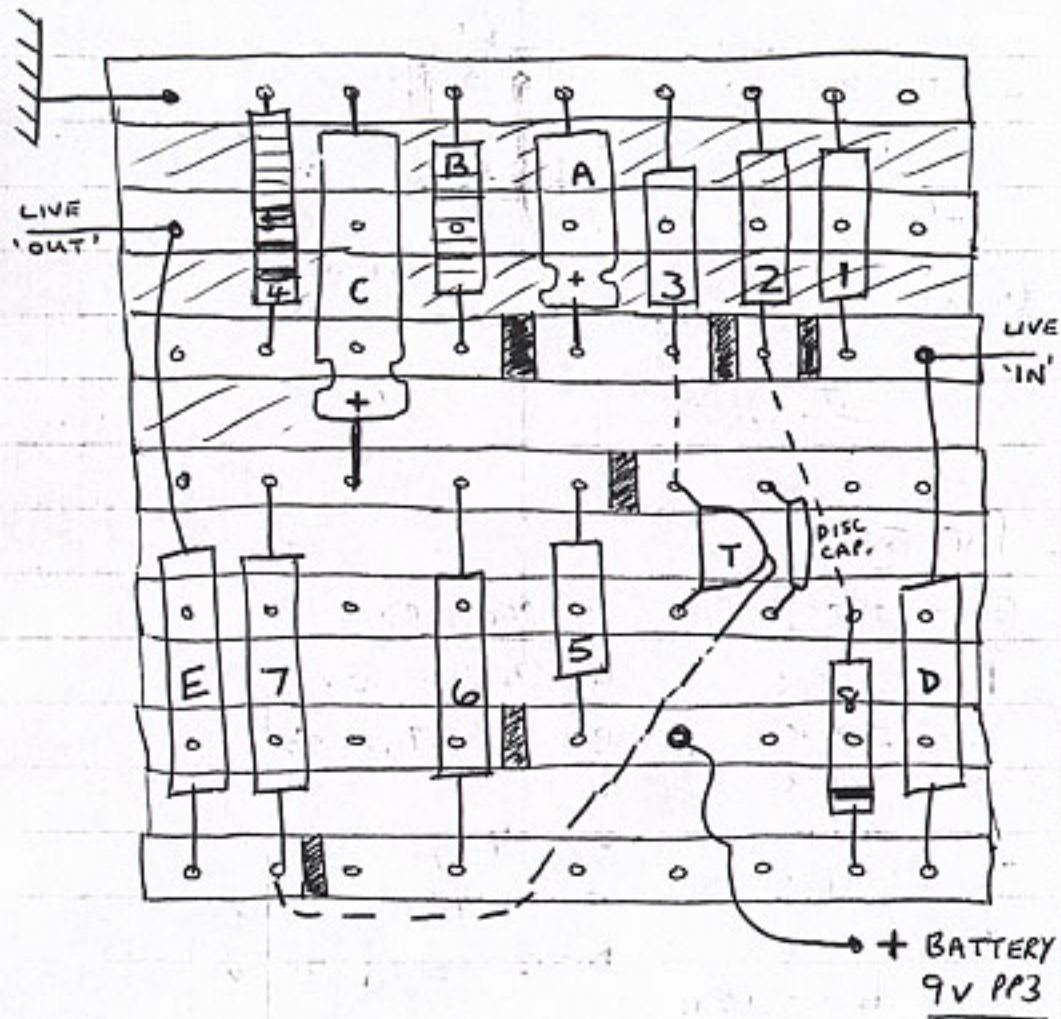


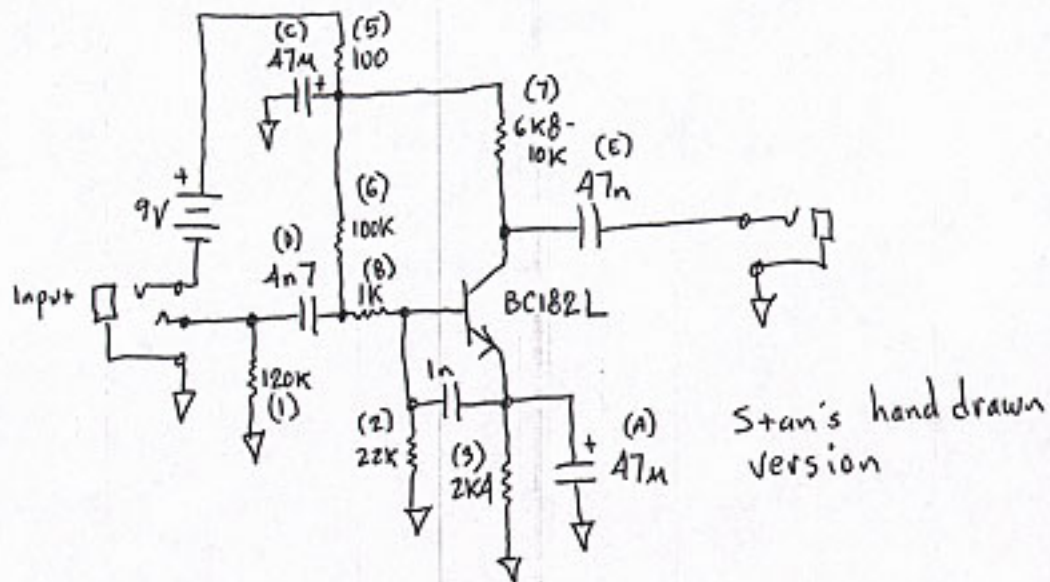
MAY TREBLE BOOST
BASIC CURCUT - NO CONTROLS



VERO BOARD 9 HOLES X 7 STRIPS
DOTTED CONNECTIONS UNDER

P.T.O.

Original layout ↗



Stan's hand drawn version

Parts List

- 1 120K
- 2 22K
- 3 2KA
- 4 —
- 5 100R
- 6 100K
- 7 6KB
- 8 1K0

- A 47μ/16V Electrolytic
- B —
- C 47μ/16V Electrolytic
- D 4n7 Poly (0.0047μF)
- E 47n (0.047μF)