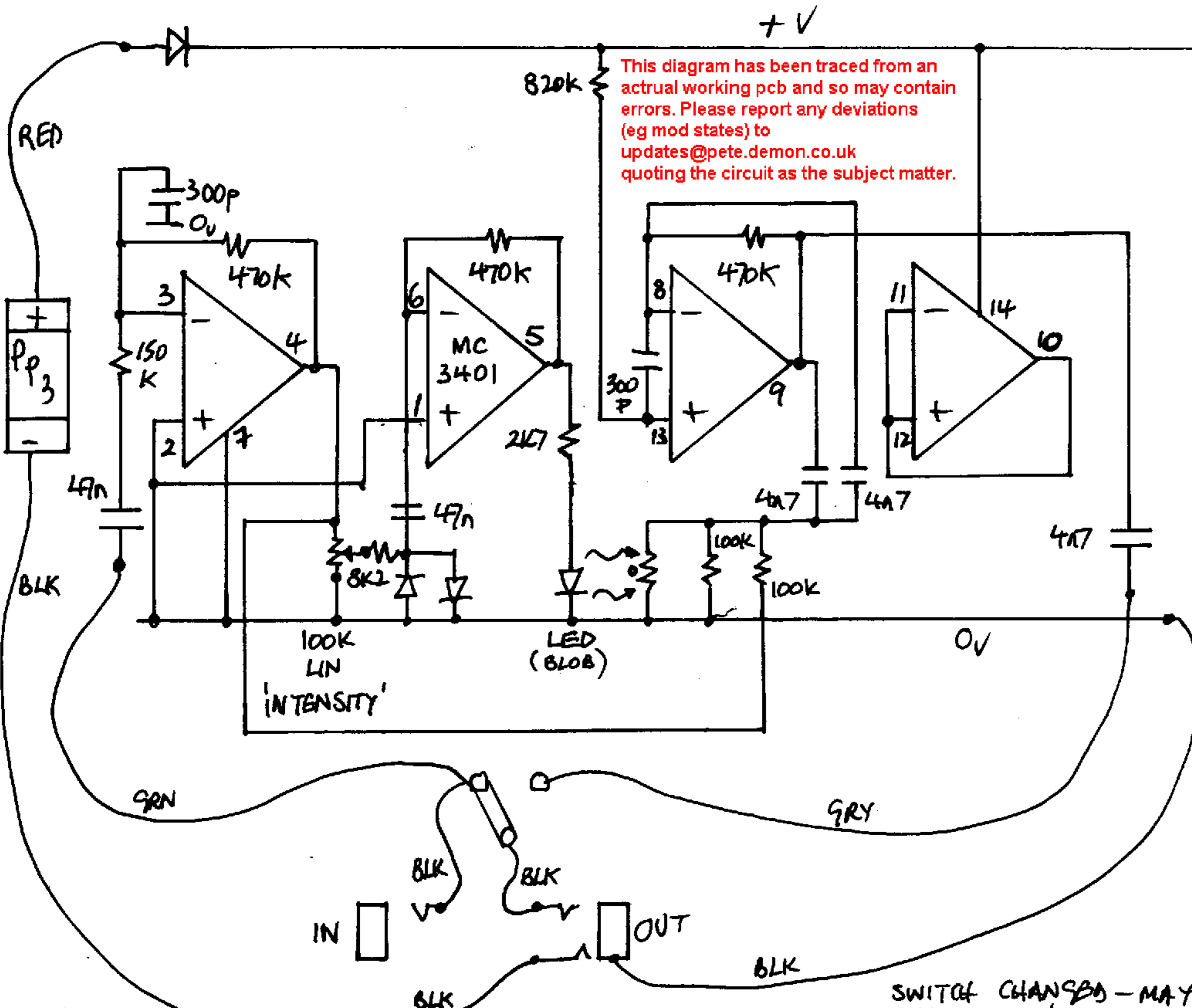


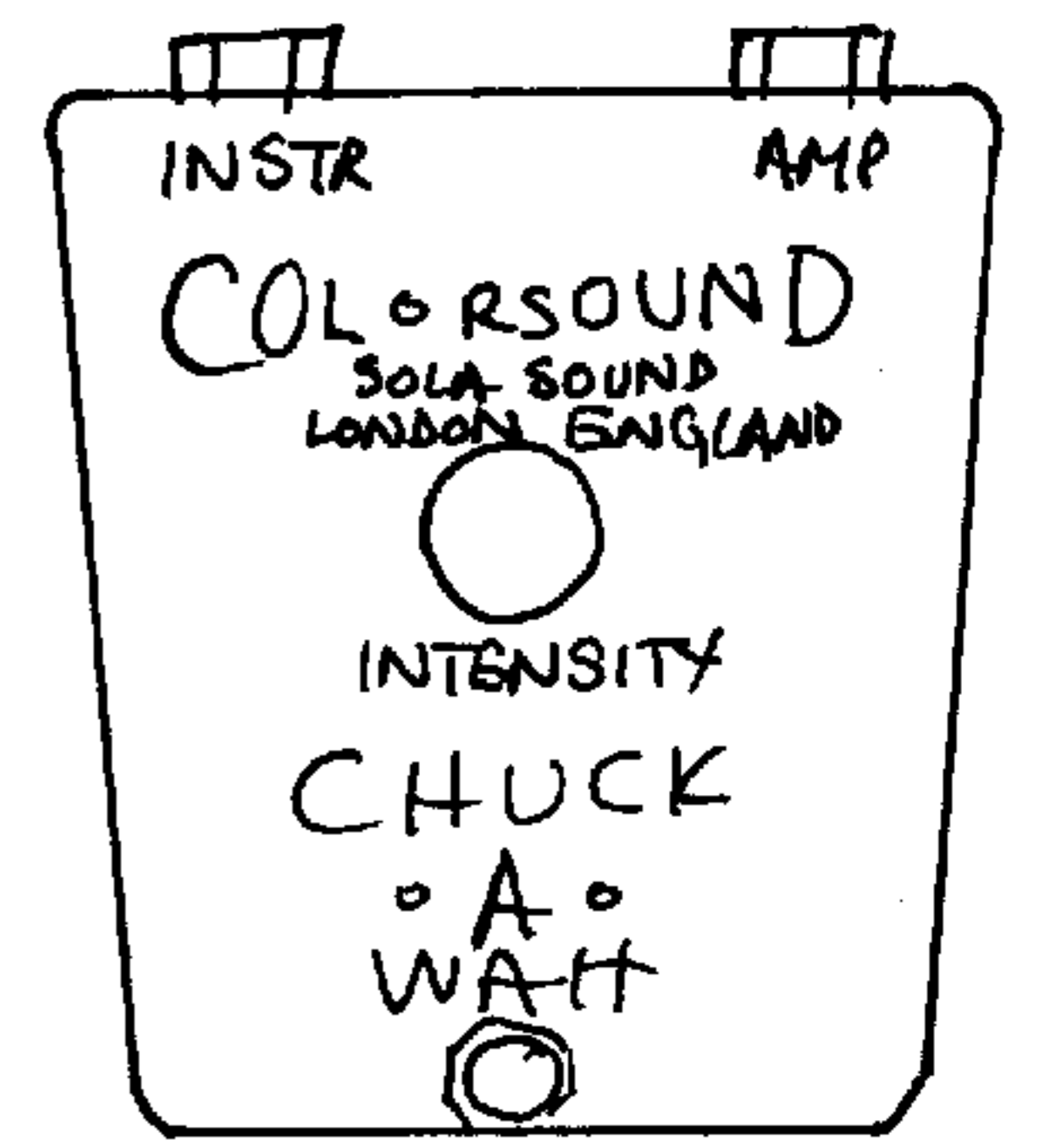
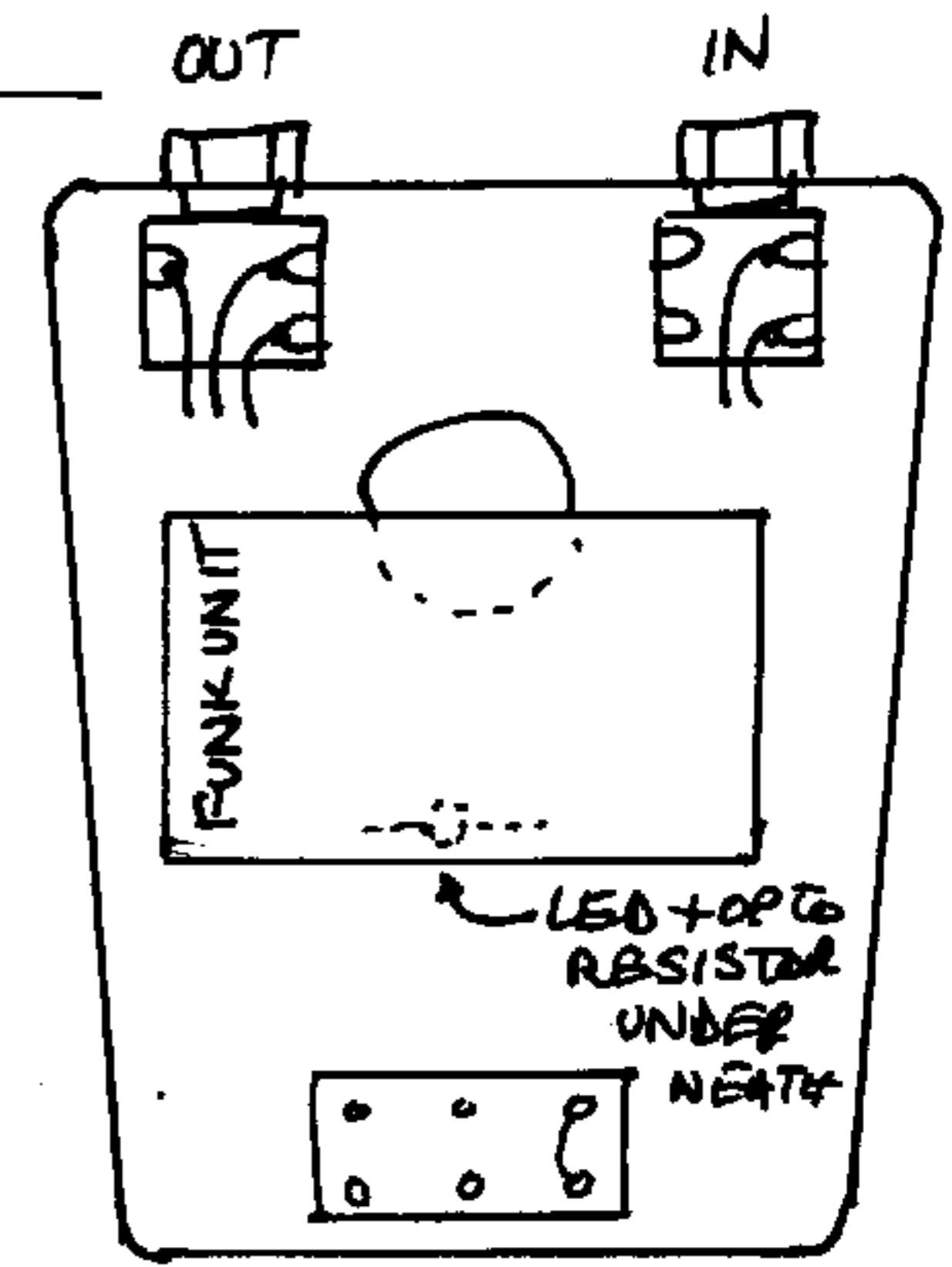
COLORSOUND

CHUCK·A·WAH (1 OF 2)

(1 OF 2)



This diagram has been traced from an actual working pcb and so may contain errors. Please report any deviations (eg mod states) to updates@pete.demon.co.uk quoting the circuit as the subject matter.



SWITCH CHANGED - MAY NOT HAVE BEEN ORIGINAL REPLACED C/OVER WITH 2 POLE