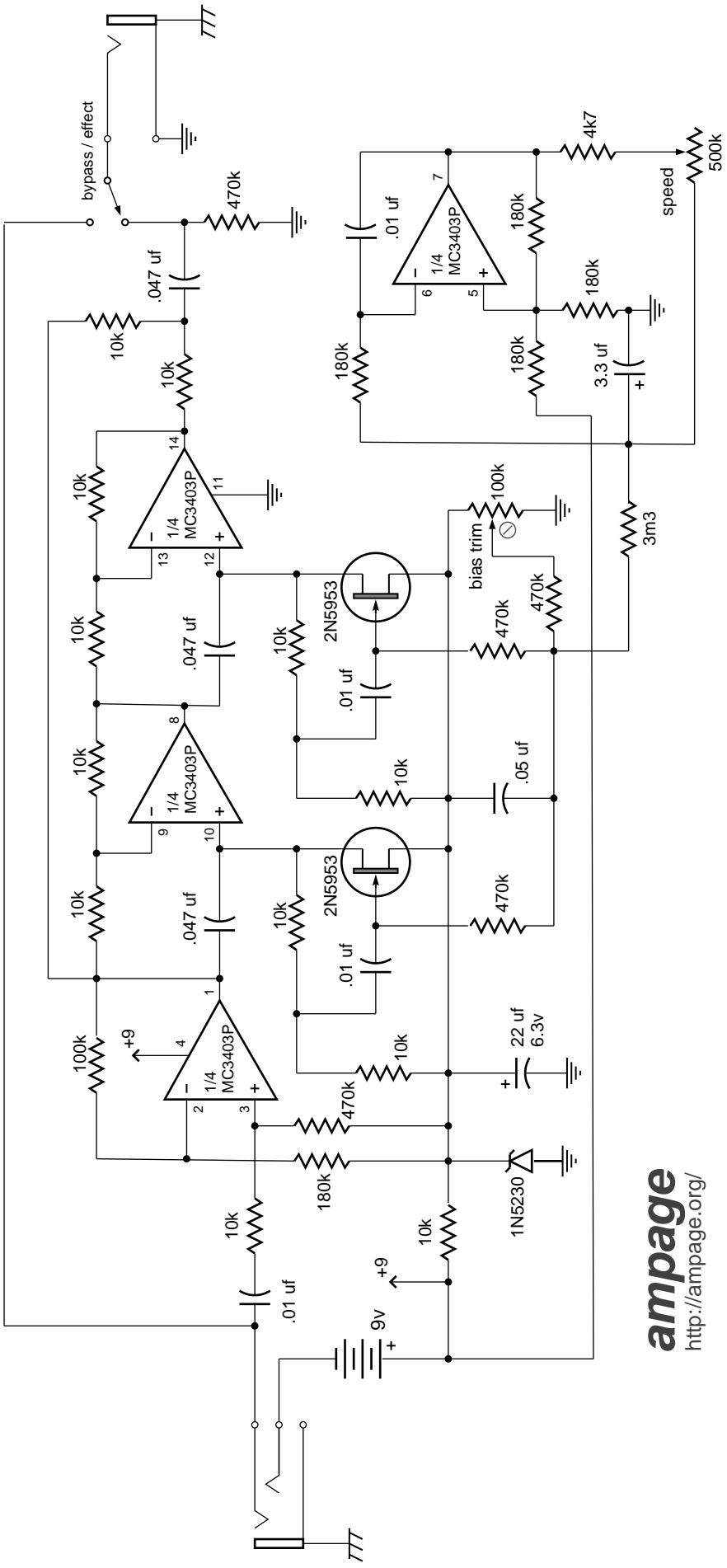


# DOD Phasor 201



**ampage**  
<http://ampage.org/>