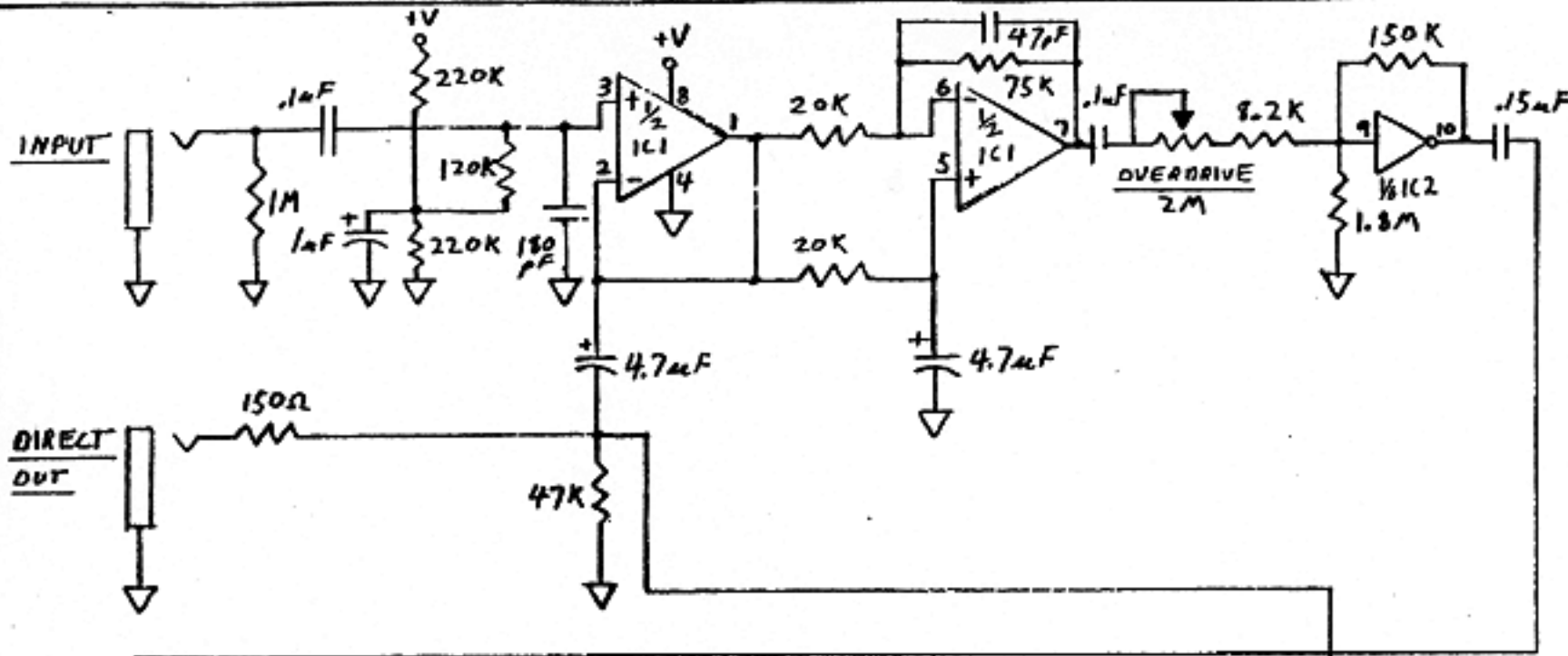
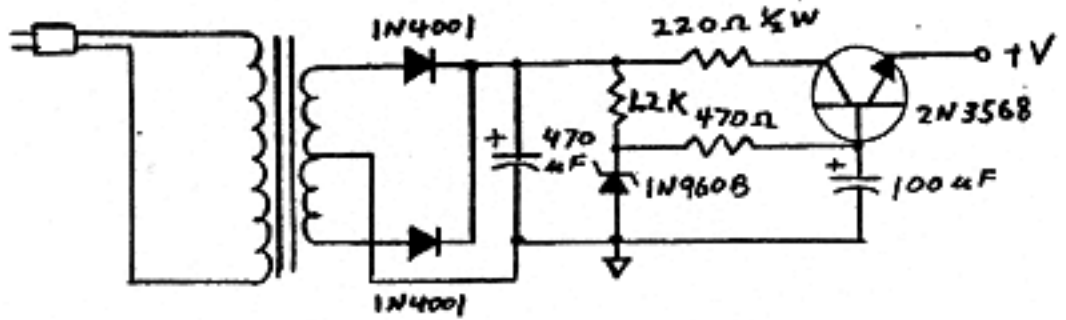
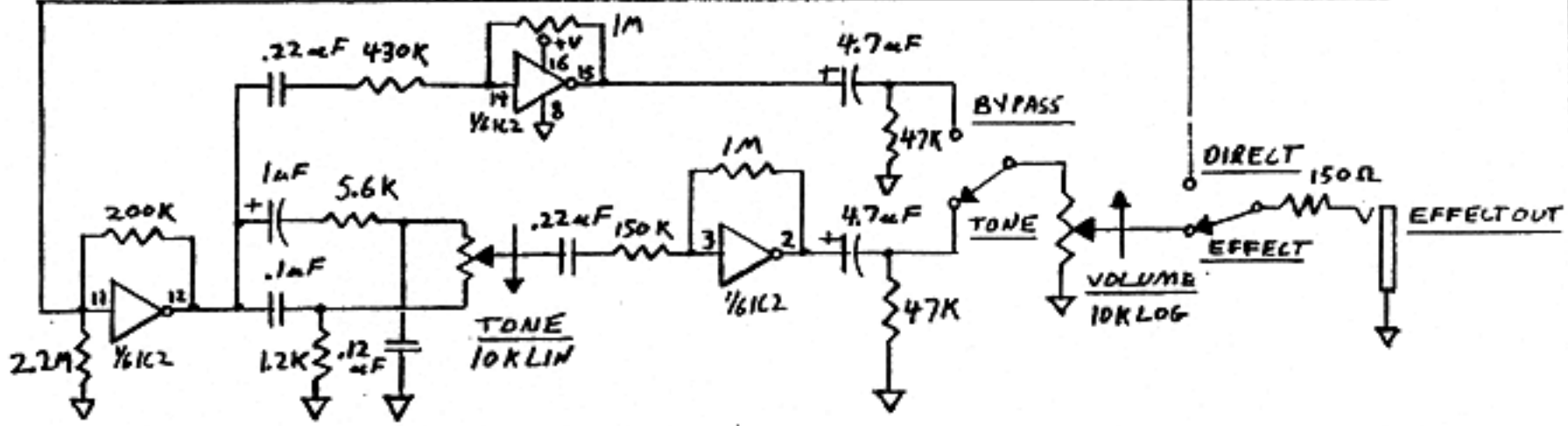


REV DATE DESCRIPTION



ENGR M. RENOV	DATE 3-15-79	SHEET 1 OF 1	REVISION A
TITLE <b>HOTTUBES</b>			
PART NO. EH-3075			



**NOTES:**  
 IC1 = RC4558MB  
 IC2 = CO4049BE  
 PINS 5+7 OF IC2 ARE HELD HIGH TO INACTIVATE UNUSED INVERTERS.

electro-harmonix

27 WEST 23RD STREET NEW YORK, N.Y. 10010 (212) 741-1770