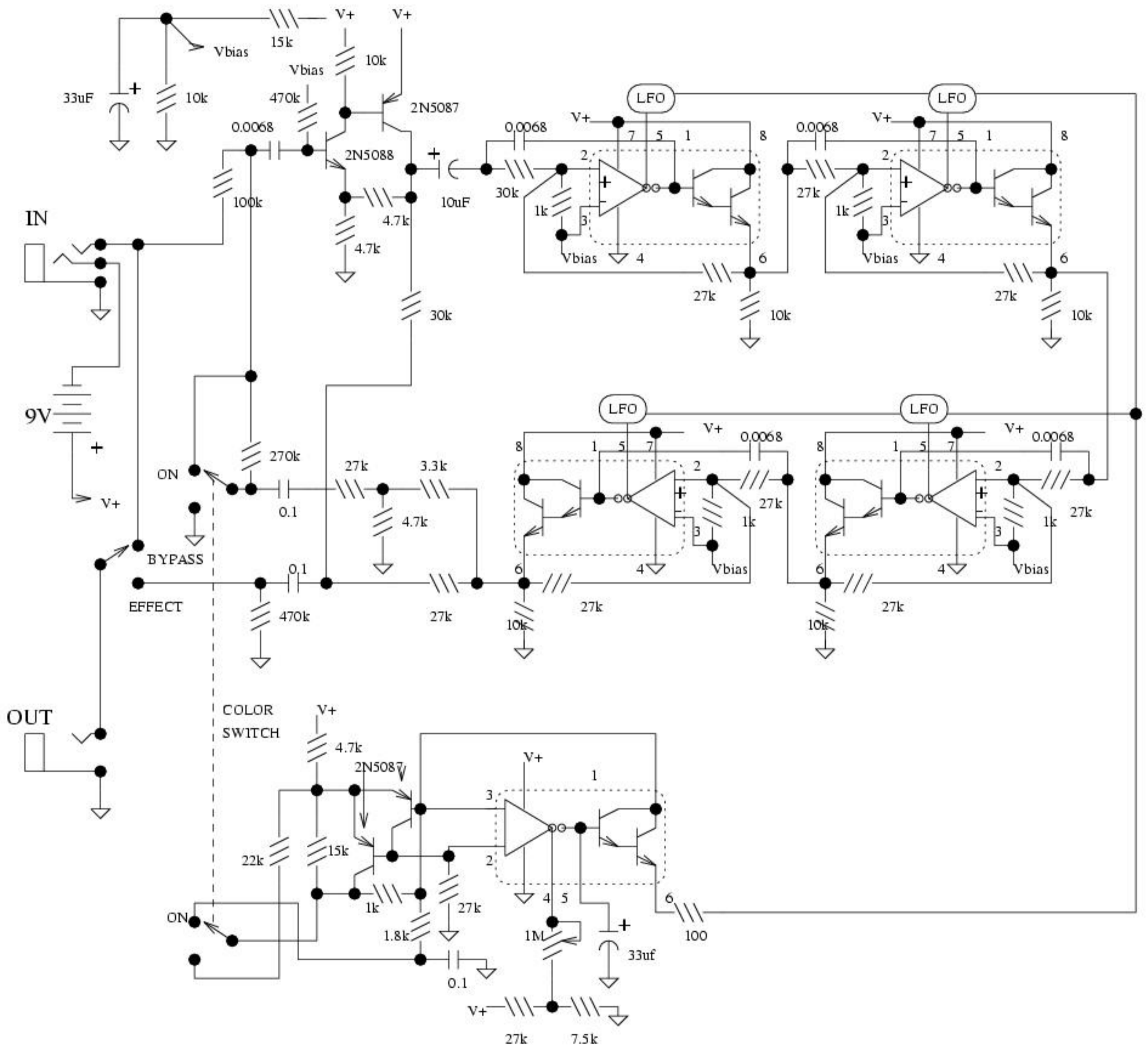


EH Small Stone Phaser

Issue J



The Small Stone is somewhat unique in using Operational Transconductance Amplifiers (OTA's) for phase shift stages instead of opamps with variable resistors. All of the IC's are house marked EH1048, but can be replaced with CA3094 which is a combination of an OTA equal to the CA3080 and a darlington emitter follower. Later Small Stones used slightly different circuits, but all used the OTA.