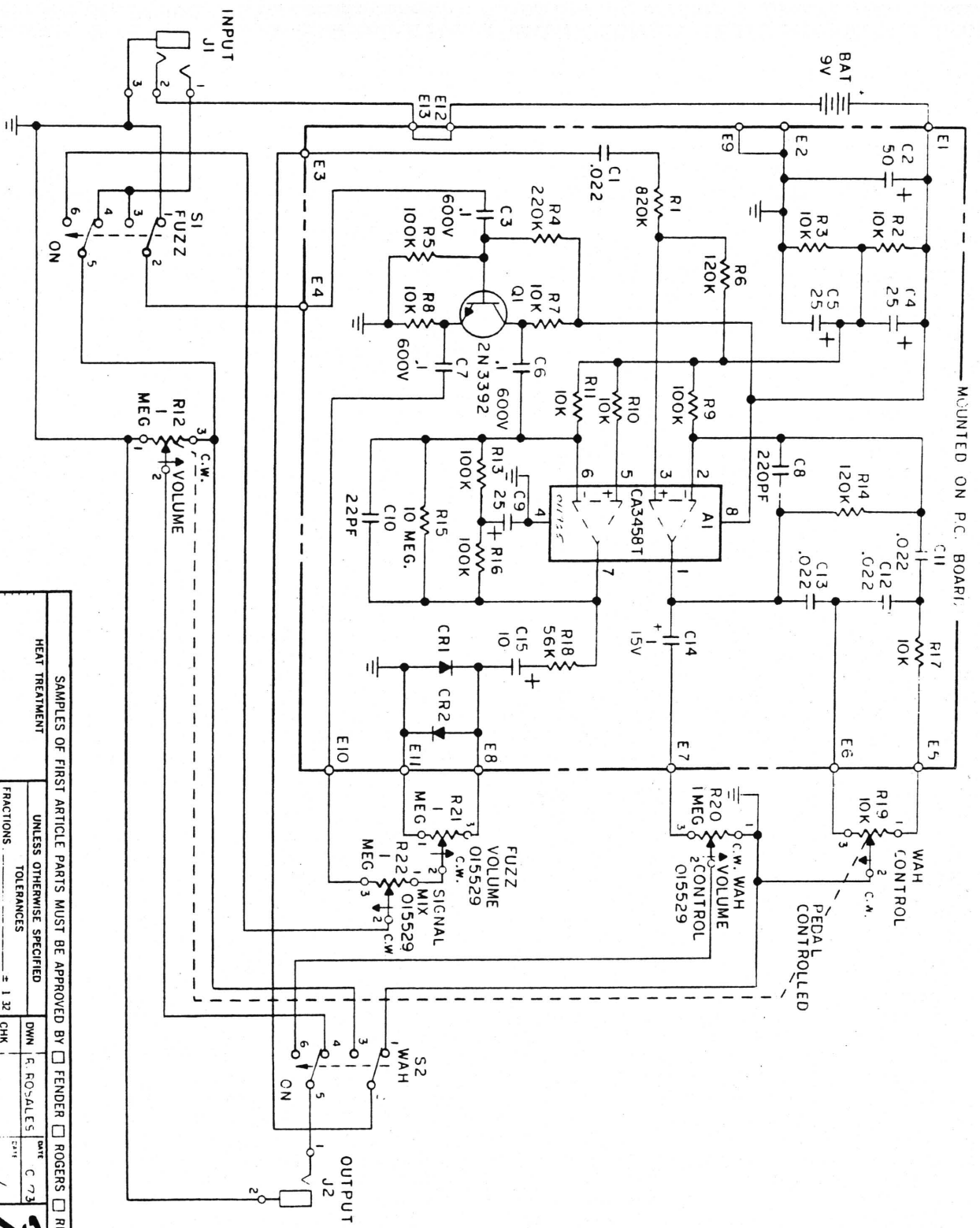


ALL DIMENSIONS ARE IN INCHES UNLESS OTHERWISE SPECIFIED
 ALL DIMENSIONS ARE IN INCHES UNLESS OTHERWISE SPECIFIED
 ALL DIMENSIONS ARE IN INCHES UNLESS OTHERWISE SPECIFIED



1. ALL RESISTORS ARE 1/2 WATT. VALUES IN OHMS ± 10%.
2. ALL CAPACITORS ARE RATED AT 25V D.C. VALUES IN MICROFARADS ± 20% ELECTROLYTIC - 20% +150%.
3. LAST REFERENCE DESIGNATION USED: Q1, A1, R22, C14, C2, S2, J1 AND BAT.

HEAT TREATMENT

UNLESS OTHERWISE SPECIFIED

FRACTIONS	TOLERANCES
XXX	± 0.10
XXX	± 0.05
ANGLES	± 1/2
FRACTIONS - WOOD	± 1/16
HOLES - CORED	± 0.00
BEND ANGLES	± 1
HOLES - DRILLED & PIERCED	± 0.03 - 0.01
DRAFT ANGLES	MAX
STRAIGHTNESS	UNMARKED ANGLES ARE 30"
	ALL DIMENSIONS ARE IN INCHES
	DO NOT SCALE DRAWING

SAMPLES OF FIRST ARTICLE PARTS MUST BE APPROVED BY FENDER ROGERS RHODES R & D ENG. BEFORE STARTING PRODUCTION

DWN	E. ROSALES	DATE	CHK	DATE

Fender / **Rogers** / **Rhodes**

CBS MUSICAL INSTRUMENTS - A DIVISION OF CBS, INC.
 FULLERTON, CALIFORNIA 92831

PART NAME: FUZZ-WAH PEDAL, ADJUSTABLE

MODEL: C

RELEASE: 6/57

SCALE: 1/8"

PART NAME: FUZZ WAH PEDAL, ADJUSTABLE

REV: 1

REV	REVISIONS	DATE	APPROV
1			