

Scrambler

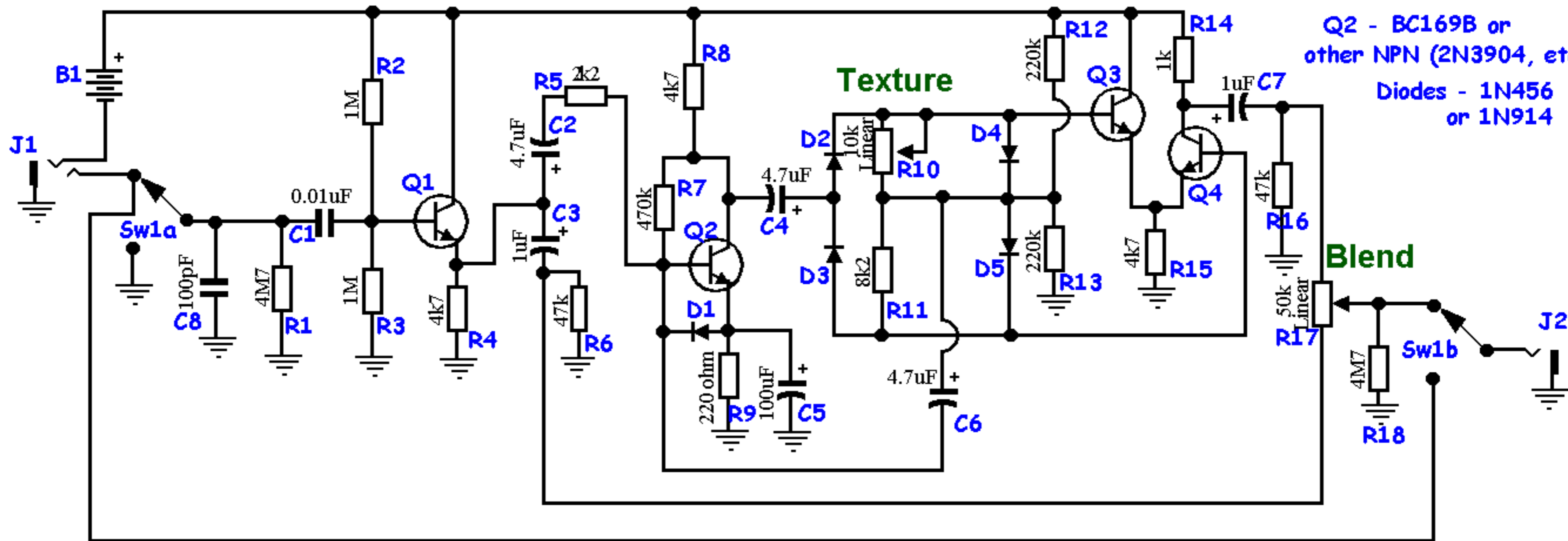
Modernized with readily available part values,
pulldown resistors and true-bypass switching

Sw1 - Heavy Duty DPDT Footswitch

Transistors - Q1, Q3, Q4 - 2N5306
or other Darlington

Q2 - BC169B or
other NPN (2N3904, etc)

Diodes - 1N456
or 1N914



Drawn by: JD Sleep

Revision: 2003-03-04

Copyright 2003 JD Sleep

Guitar Effects Projects

Permission refused for posting/serving this diagram from any site other than Guitar Effects Projects