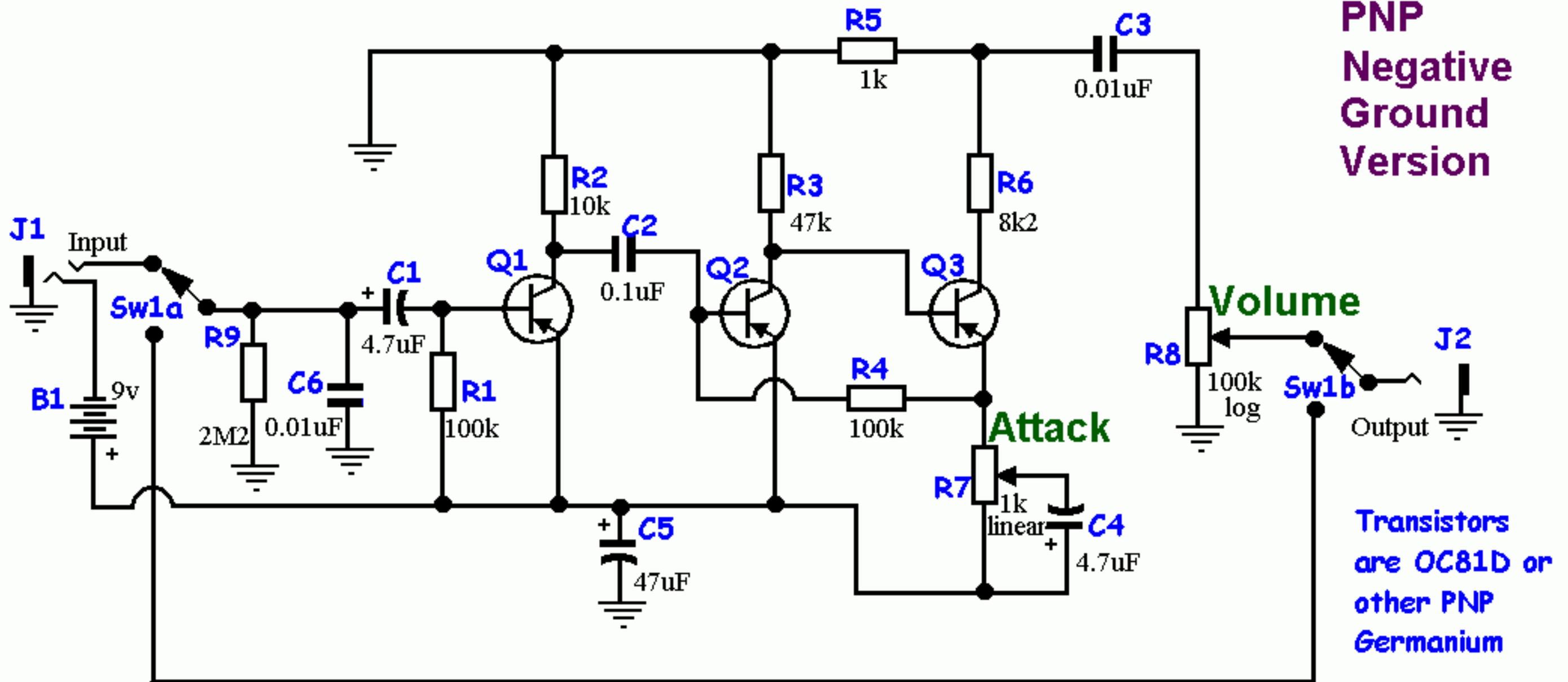


Tone Bender

Mark II Professional

PNP
Negative
Ground
Version



Drawn by: JD Sleep

Revision: 2004JUN29

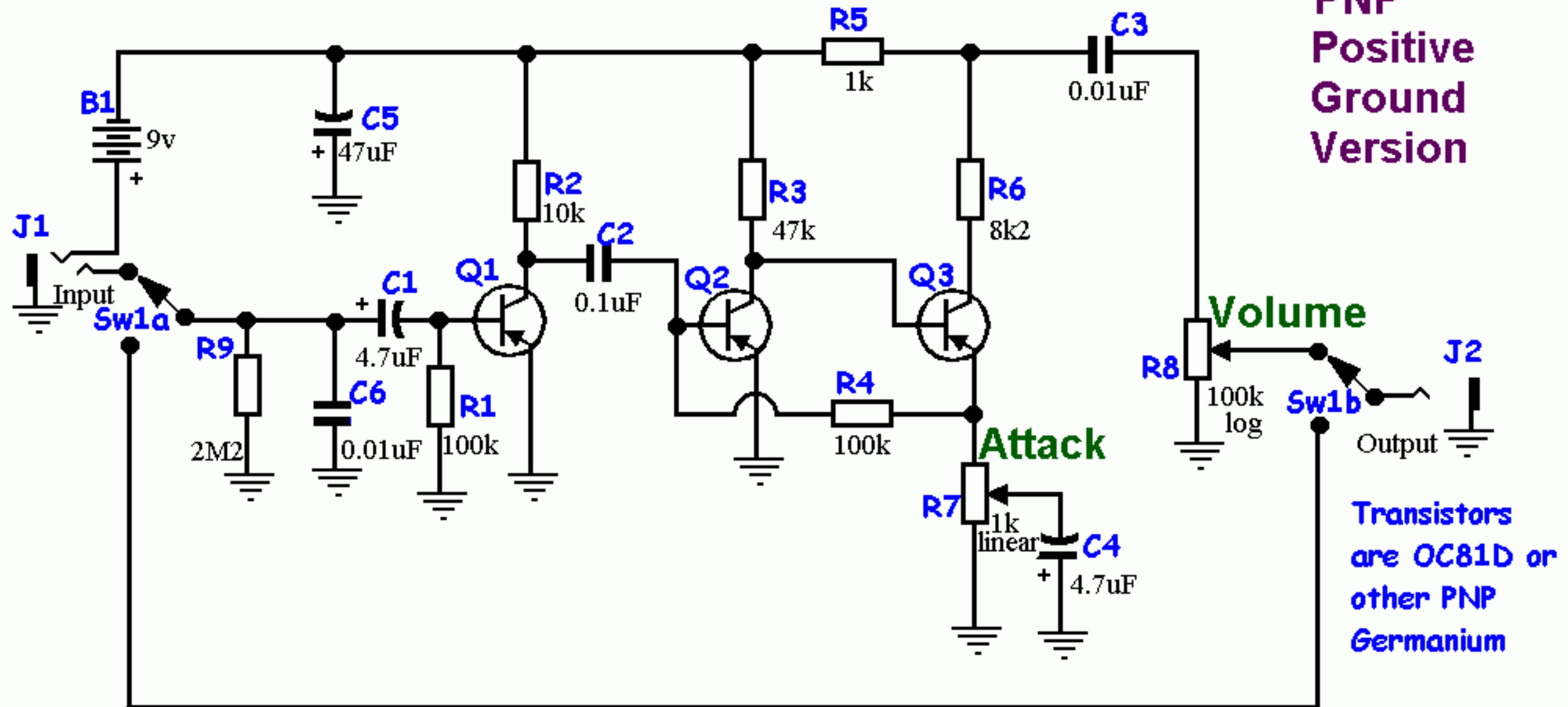
Copyright 2004 JD Sleep

Permission refused for posting/serving this diagram from any site other than www.generalguitargadgets.com

Tone Bender

Mark II Professional

PNP
Positive
Ground
Version



Drawn by: JD Sleep

Revision: 2004JUN29

Copyright 2004 JD Sleep

Permission refused for posting/serving this diagram from any site other than www.generalguitargadgets.com