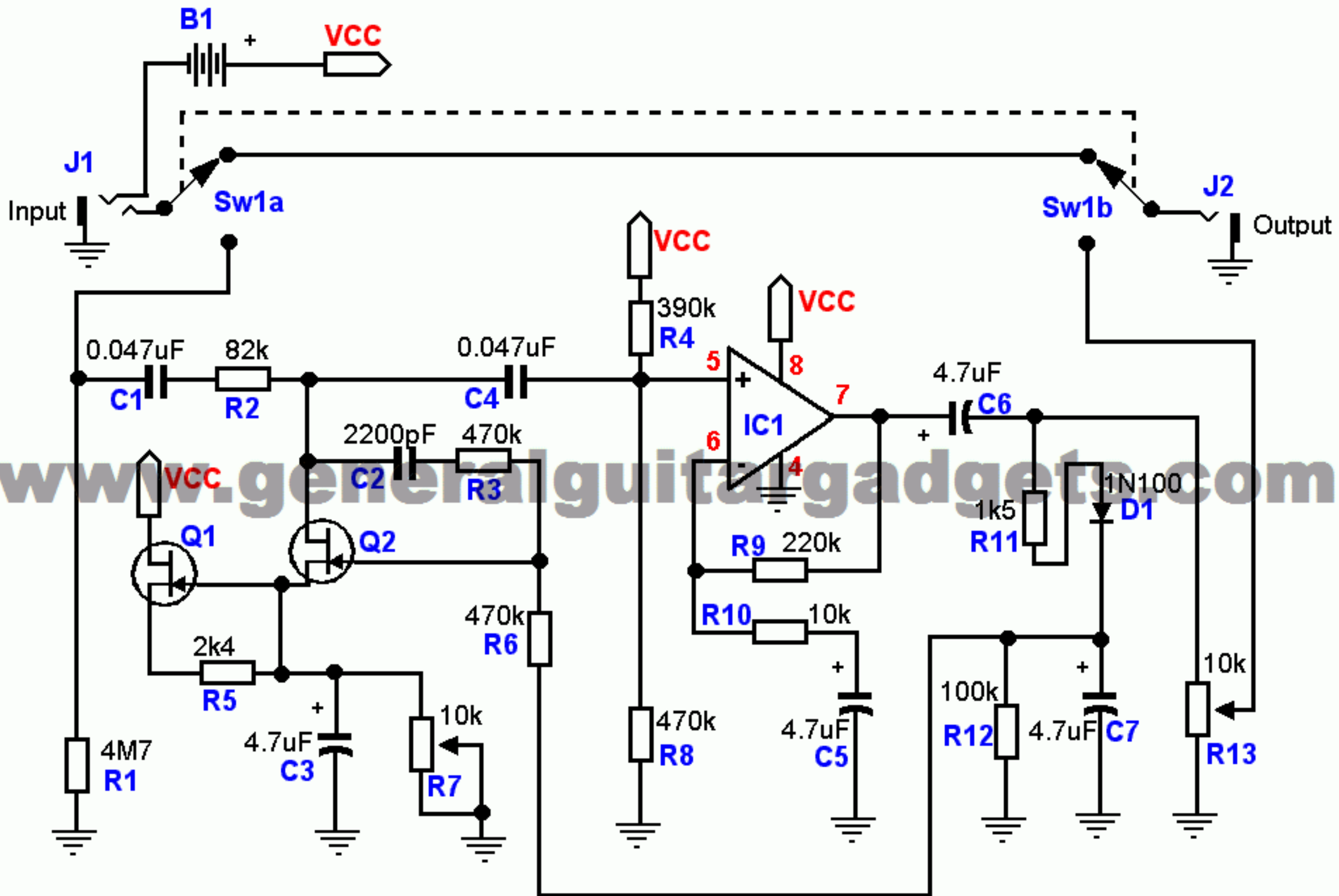


Orange Squeezer Compressor



Transistors are 2N5457 JFETs, op amp is 1/2 of 4558 dual op amp

Drawn By: JD Sleep

Revision: 2004OCT29

Copyright 2003 JD Sleep

Permission refused for posting/serving this diagram from any site other than www.generalguitargadgets.com