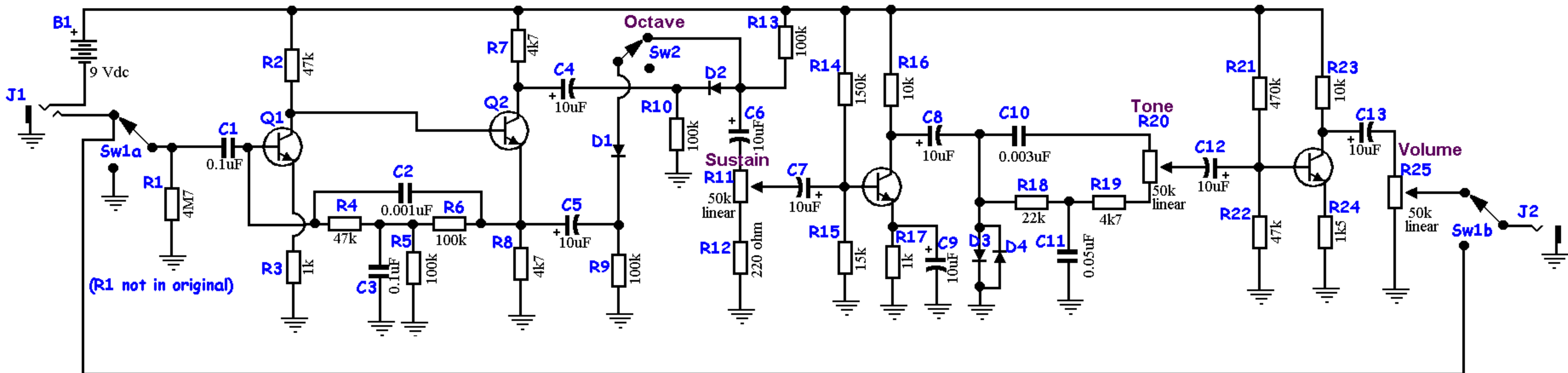


fOXX Tone Machine



All Transistors - 2N3565 or BC237B
All Diodes - 1N34A or other germanium
Sw1 - Heavy Duty Footswitch
Sw2 - Toggle or Heavy Duty Footswitch

Drawn by: JD Sleep

Revision: 2002-07-30

Copyright 2002 JD Sleep

Guitar Effects Projects

Permission refused for posting/serving this diagram from any site other than Guitar Effects Projects