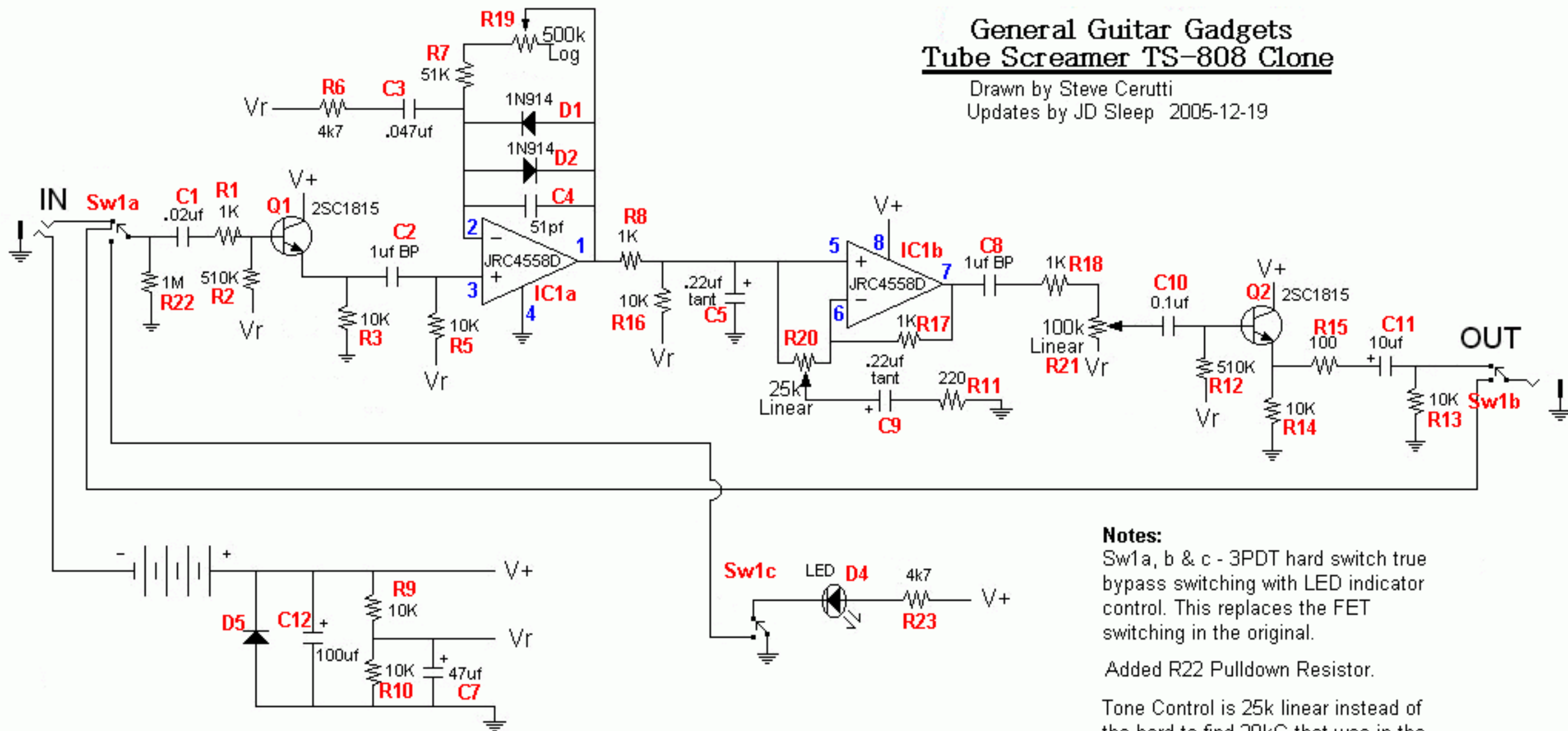


General Guitar Gadgets Tube Screamer TS-808 Clone

Drawn by Steve Cerutti
Updates by JD Sleep 2005-12-19



Notes:

Sw1a, b & c - 3PDT hard switch true bypass switching with LED indicator control. This replaces the FET switching in the original.

Added R22 Pulldown Resistor.

Tone Control is 25k linear instead of the hard-to-find 20kG that was in the original.

Transistors can also be 2N3904 with no change to overall tone.