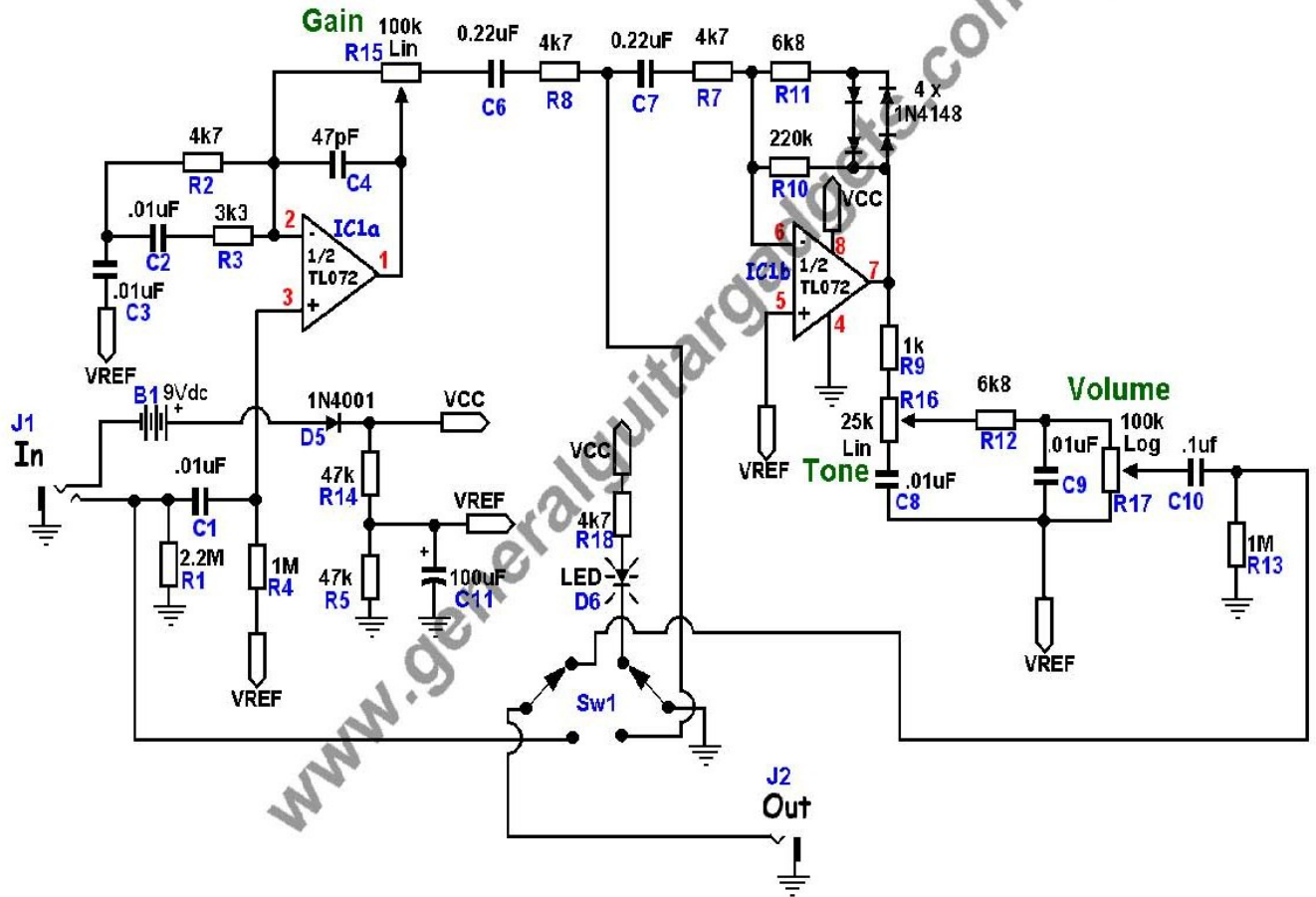


Blues Breaker (Original Wiring)



Blues Breaker (True Bypass)

