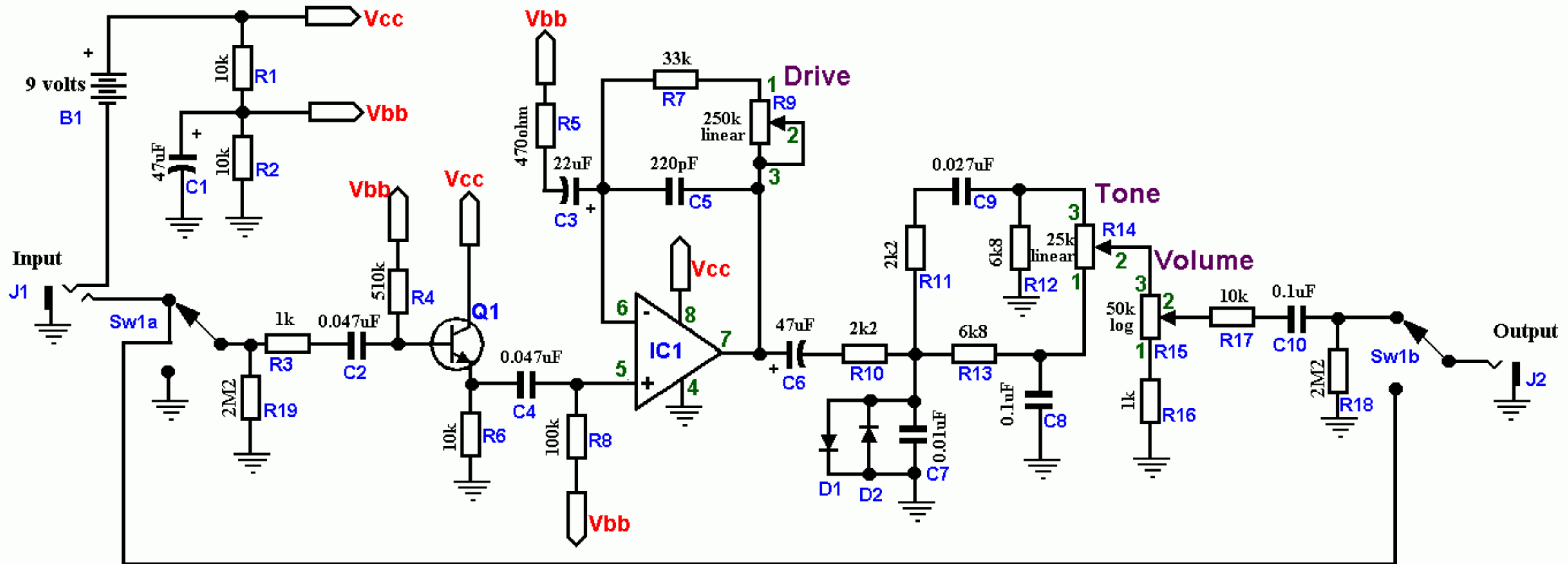


Sonic Distortion



Modernized with pulldown resistors, true bypass switch and readily available pot values.

Q1 = 25C1815 or 2N3904
IC1 = 4558 or TL072
Sw1 = DPDT Heavy Duty Footswitch

Drawn by: JD Sleep

Revision: 2002-12-09

Copyright 2002 JD Sleep

Permission refused for posting/serving this diagram from any site other than www.generalguitargadgets.com