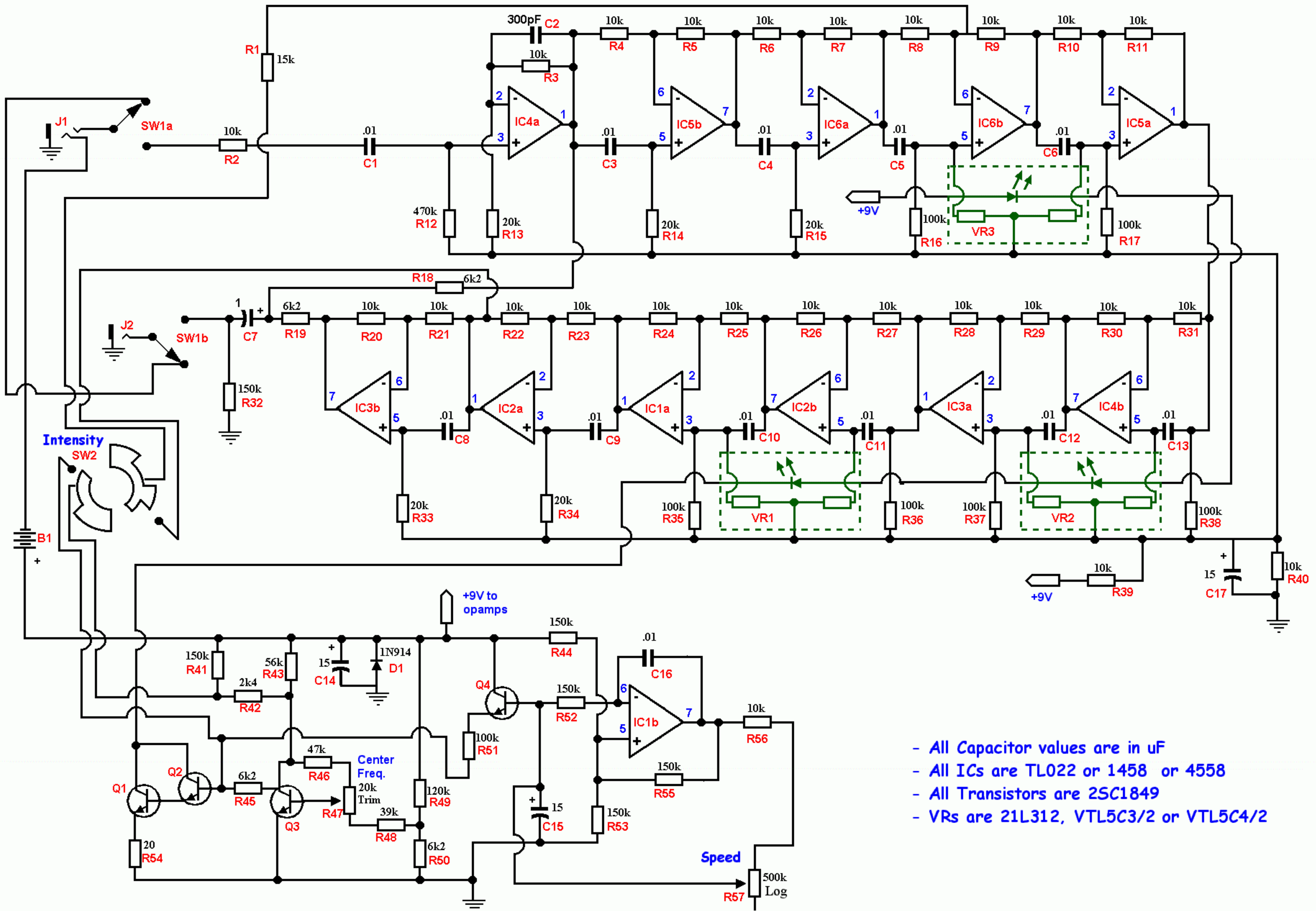


MXR Phase 100



- All Capacitor values are in μF
- All ICs are TL022 or 1458 or 4558
- All Transistors are 2SC1849
- VRs are 21L312, VTL5C3/2 or VTL5C4/2