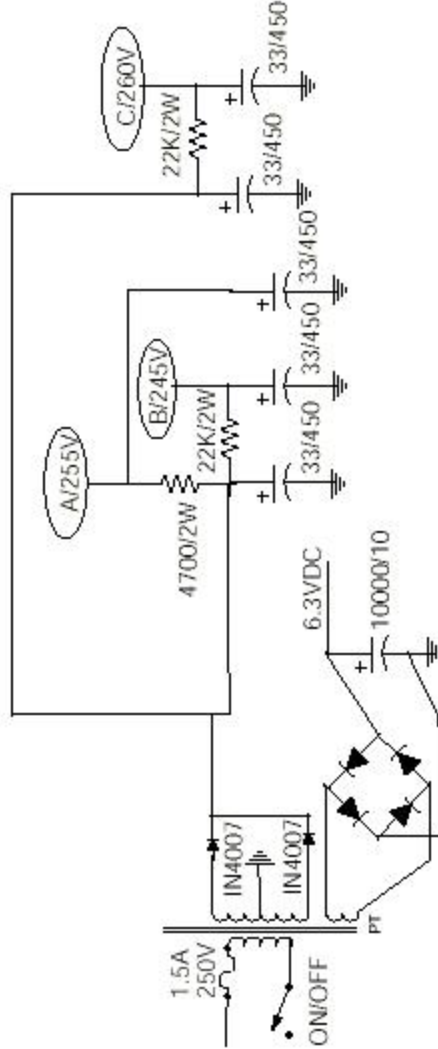
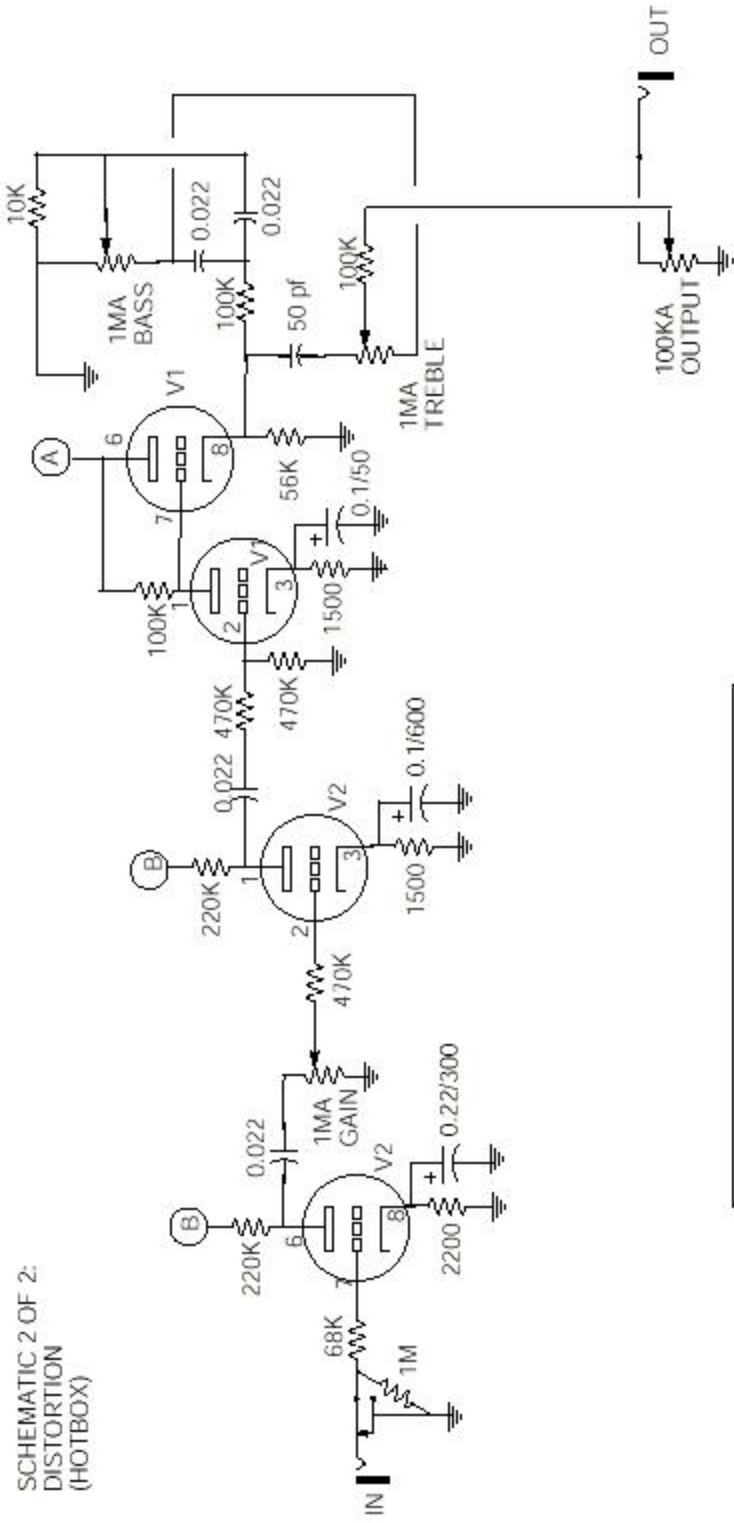


SCHEMATIC 2 OF 2:
DISTORTION
(HOTBOX)



This circuit combines Matchless's Vibrobox and Hotbox, allowing them to share one housing and one power supply.

1. Valves are 12AX7WB.
2. All resistors are 1/2W unless otherwise stated.
3. All caps are 600V unless otherwise stated.
4. Transformer is Hammond 269EX.
5. Bridge rectifier for filament voltage is MP-3510.
6. Jacks are isolated from chassis.