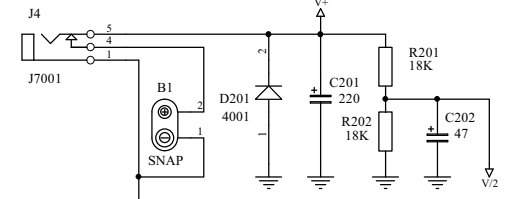
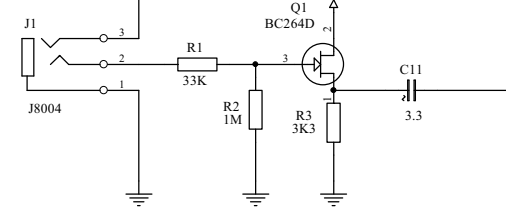


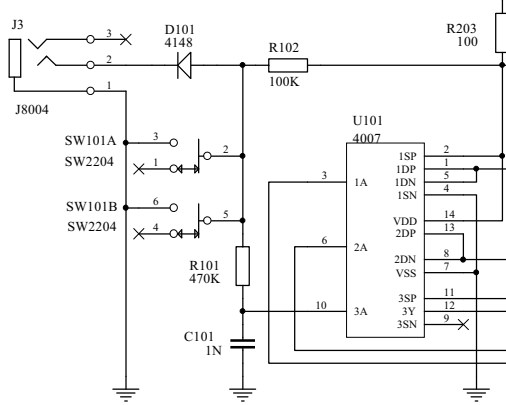
EXTERNAL POWER SUPPLY



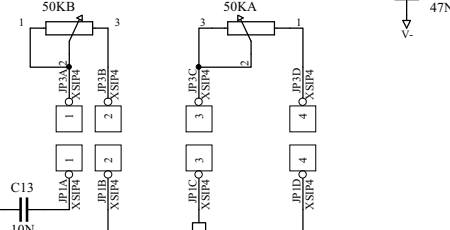
INPUT



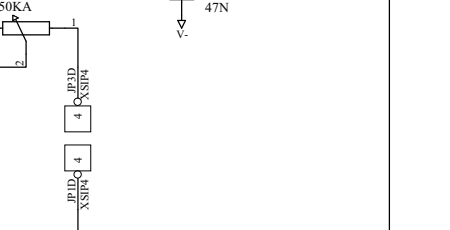
BYPASS



tone

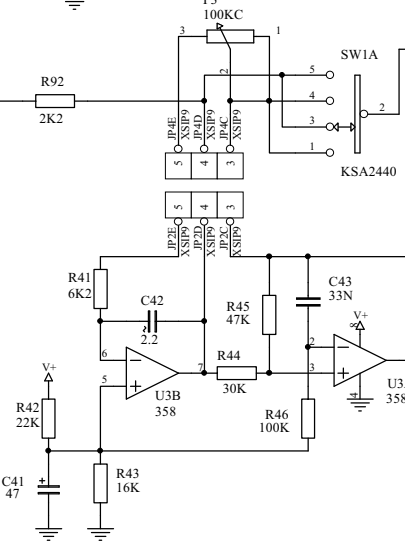


LEVEL

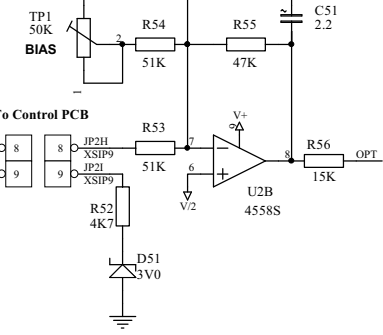
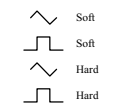
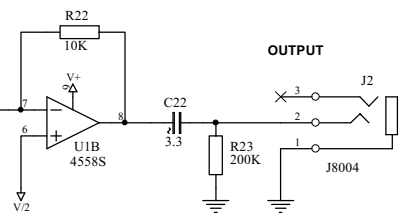


waveform sel.

SPEED



OUTPUT



NOBELS ELECTRONICS			
Barnerstrasse 42, 22765 Hamburg, Germany			
http://www.nobels.com - email: info@nobels.com			
Title	CIRCUIT DIAGRAM / MAIN SECTION		
Number	TREMOLO / TR-X	Size	A4
Date	23-Oct-2000	Time	18:47:44
File	D:\\$PRO\TRX_2.SCH	Sheet	1 of 2