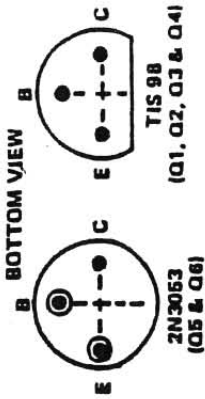
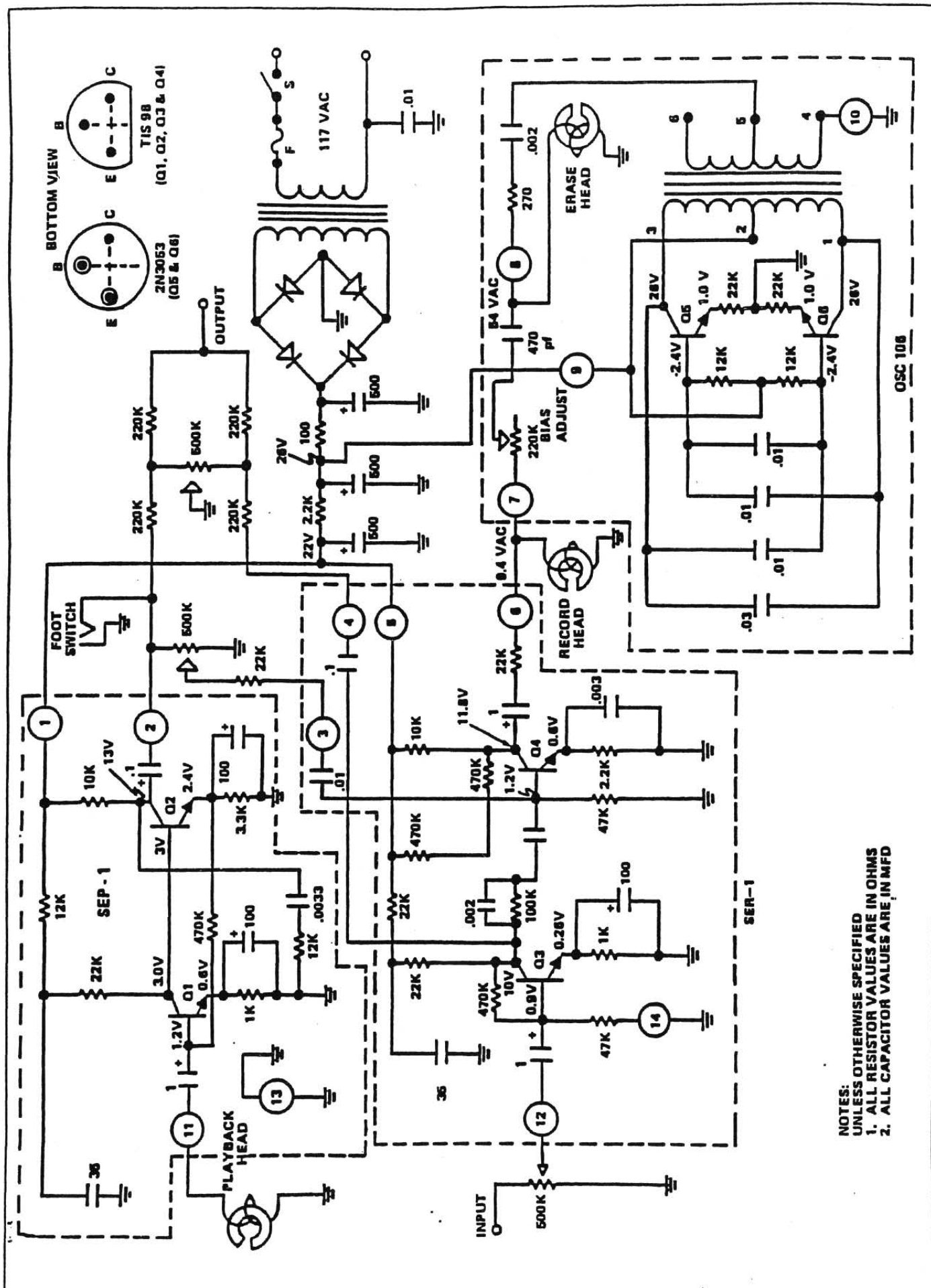


NOTES:  
 UNLESS OTHERWISE SPECIFIED  
 1. ALL RESISTOR VALUES ARE IN OHMS  
 2. ALL CAPACITOR VALUES IN MFD

SIRFKO SE-1 SCHEMATIC DIAGRAM - CIRCUIT BOARD HOOKUP



NOTES:  
 UNLESS OTHERWISE SPECIFIED  
 1. ALL RESISTOR VALUES ARE IN OHMS  
 2. ALL CAPACITOR VALUES ARE IN MFD

SIREKO SE-1 SCHEMATIC DIAGRAM