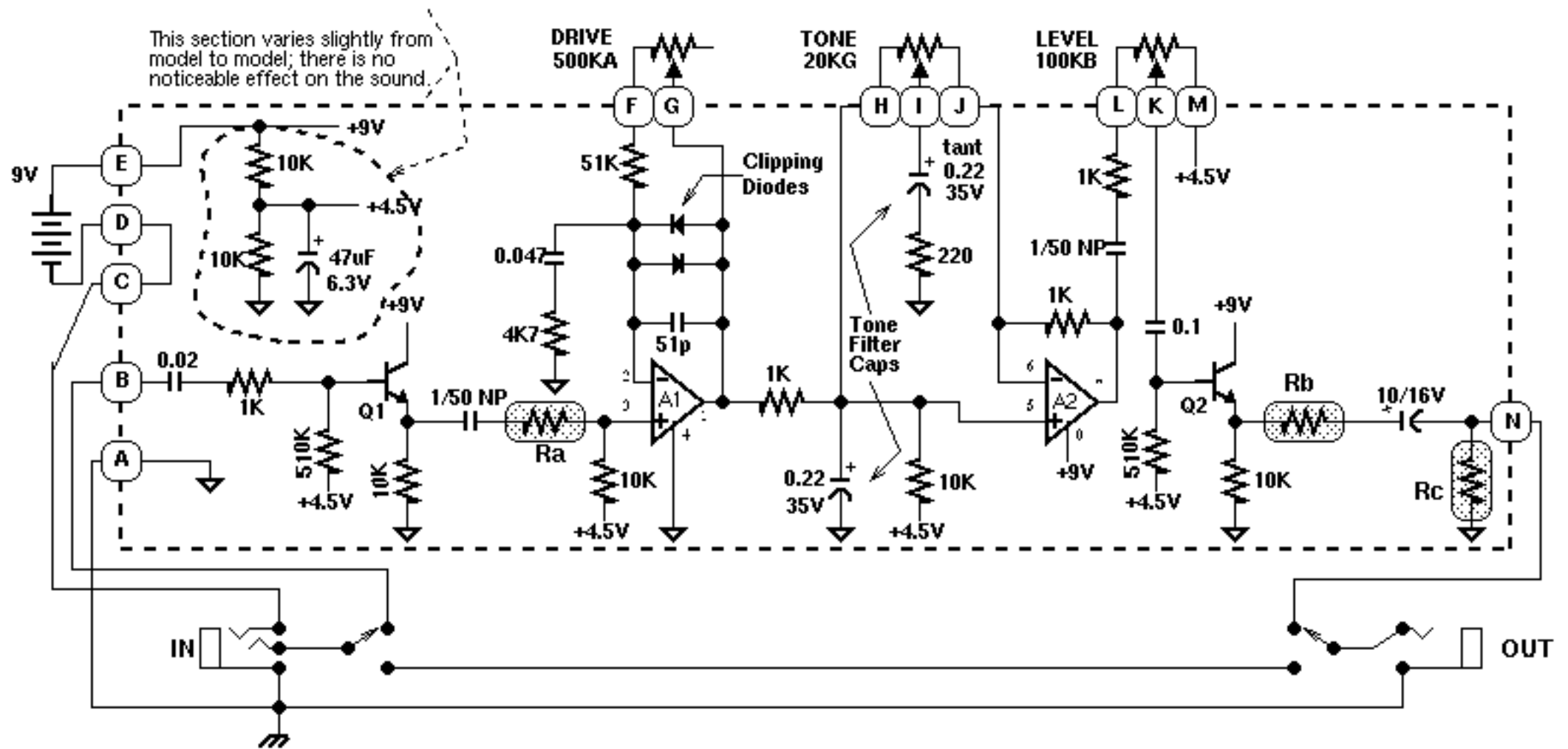


## TS -9, -10, -808 Signal Path with External Switching



Component differences from model to model

	Ra	Rb	Rc	Op Amp
TS808	0	100	10K	RC4558
TS9	0	470	100K	RC4558
TS10	220	470	100K	NJM4558

TS-5 is the same schematic as TS-9.

Fertile areas for mods

- Clipping diodes - change ONE diode to a different type for asymmetrical clipping. Perhaps one diode gets changed to two or three germanium diodes (1N34A, Radio Shack) for asymmetrical clipping, or both changed to different colored LED's.
- tone filter caps - change to film from tantalum and dink with values; up to as much as 0.47uF for more bass and mids, down to 0.1 for more treble.
- Other dual opamps: some units have TA75558 opamps installed; put in a socket and swap amps for lowest noise and best distortion. Good possibilities are LM358, TL072, LM833, LT1124, OP227.