

FENDER "BANDMASTER-AMP AC 568" SCHEMATIC ^{P/B} NOTICE

THIS PRODUCT MANUFACTURED UNDER
ONE OR MORE OF THE FOLLOWING U.S.
PATENTS: #2817708, #2973681, 192859
#PATENTS PENDING

- 1- VOLTAGES READ TO GROUND WITH ELECTRONIC VOLT METER
VALUES SHOWN + OR - 20%
- 2- ALL RESISTORS 1/2 WATT, 10% TOLERANCE IF NOT SPECIFIED
- 3- ALL CAPACITORS AT LEAST 400 VOLT RATING IF NOT SPECIFIED
- 4- VOLTAGES READ WITH VIBRATO PEDAL GROUNDING AND NO INPUT SIGNAL

VIBRATO

VIBRATO PEDAL

NORMAL

7025

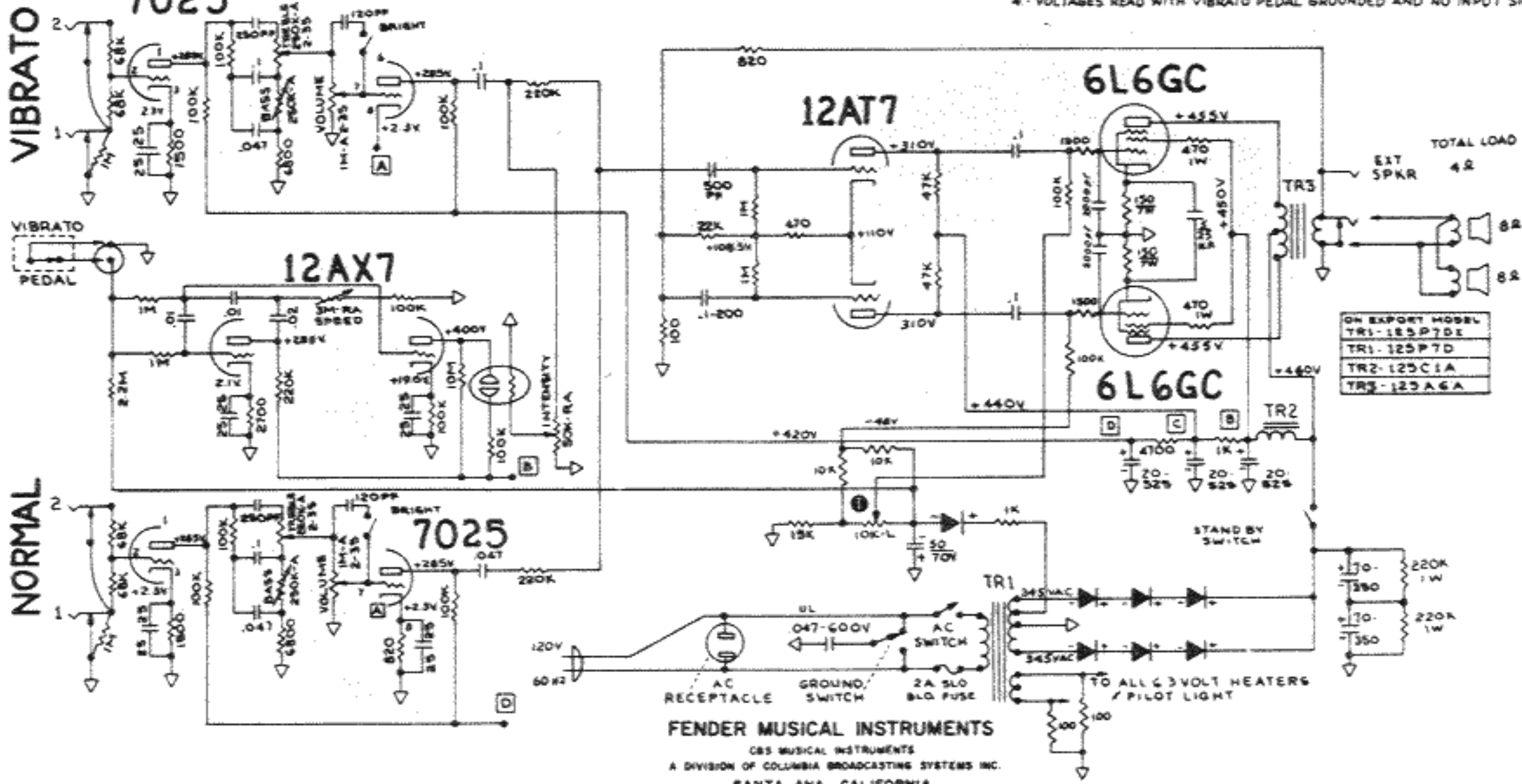
12AX7

7025

12AT7

6L6GC

6L6GC



ON EXPORT MODEL
TR1 - 1E5P7DE
TR1 - 1E5P7D
TR2 - 1E5C1A
TR3 - 1E5A6A

FENDER MUSICAL INSTRUMENTS
CBS MUSICAL INSTRUMENTS
A DIVISION OF COLUMBIA BROADCASTING SYSTEMS INC.
SANTA ANA, CALIFORNIA