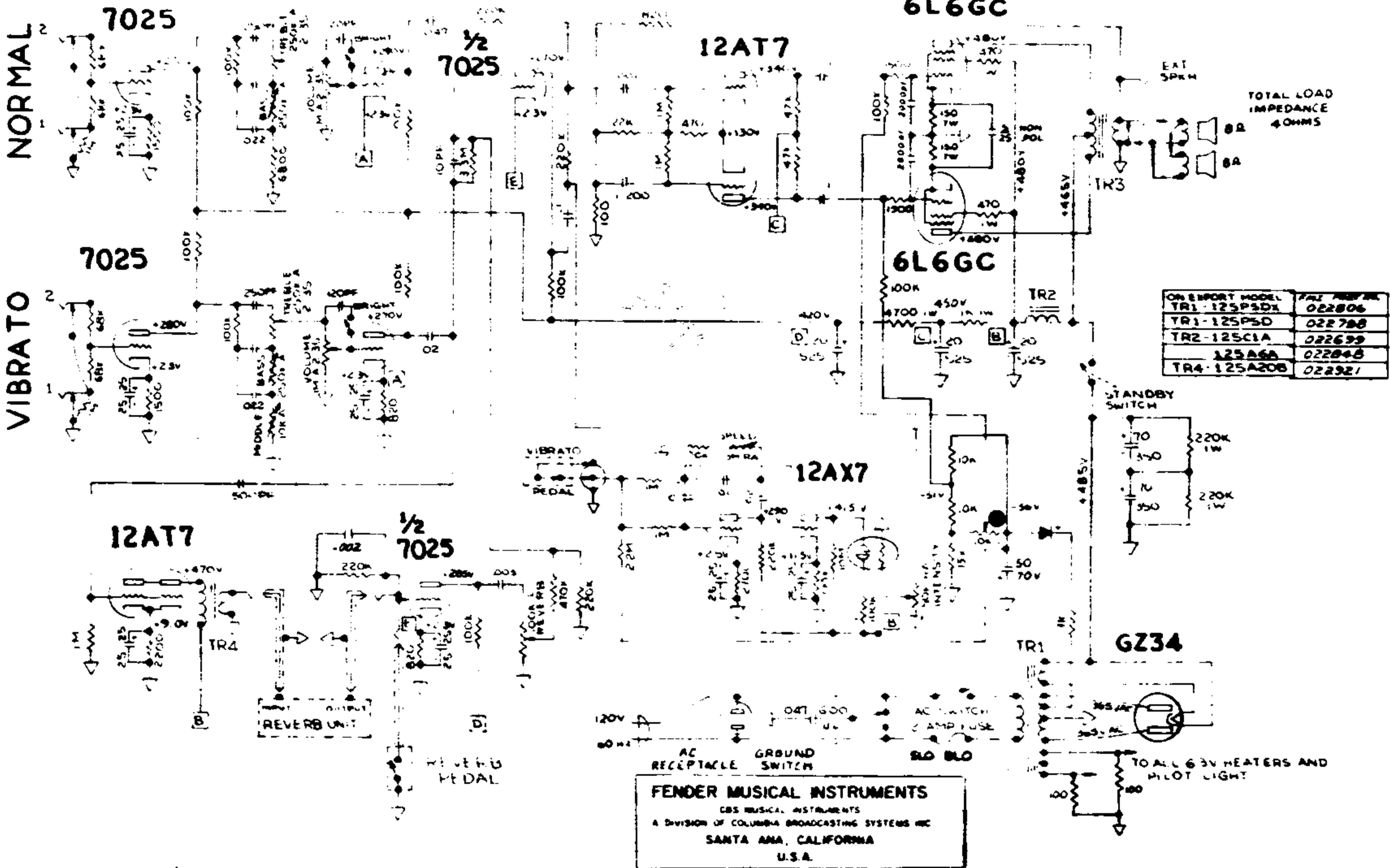


FENDER MODEL BANDMASTER-REVERB-AMP AA768 SCHEMATIC NOTICE

THIS SCHEMATIC IS UNCLASSIFIED AND IS AVAILABLE TO THE PUBLIC.
 IT IS THE PROPERTY OF FENDER MUSICAL INSTRUMENTS, INC.
 U.S. PATENT # 2,877,708 (1960)
 U.S. PATENT # 2,948,559 (1961)
 PATENTS PENDING

ALL VOLTAGES READ WITH VIBRATO PEDAL GROUNDING AND NO INPUT SIGNAL.
 ALL VOLTAGES READ WITH VIBRATO PEDAL GROUNDING AND NO INPUT SIGNAL.
 ALL VOLTAGES READ WITH VIBRATO PEDAL GROUNDING AND NO INPUT SIGNAL.
 ALL VOLTAGES READ WITH VIBRATO PEDAL GROUNDING AND NO INPUT SIGNAL.



ON BOARD MODEL	FILE #
TR1-125PSDX	022806
TR2-125PSD	022788
TR3-125C1A	022699
125A6A	022848
TR4-125A20B	022921

FENDER MUSICAL INSTRUMENTS
 CBS MUSICAL INSTRUMENTS
 A DIVISION OF COLUMBIA BROADCASTING SYSTEMS INC
 SANTA ANA, CALIFORNIA
 U.S.A.

SCHEMATIC & WIRING DIAGRAM
BANDMASTER REVERB AMP AA768

REV	D	109223	REV
DATE	BY	NO.	SHEET 1 OF 2