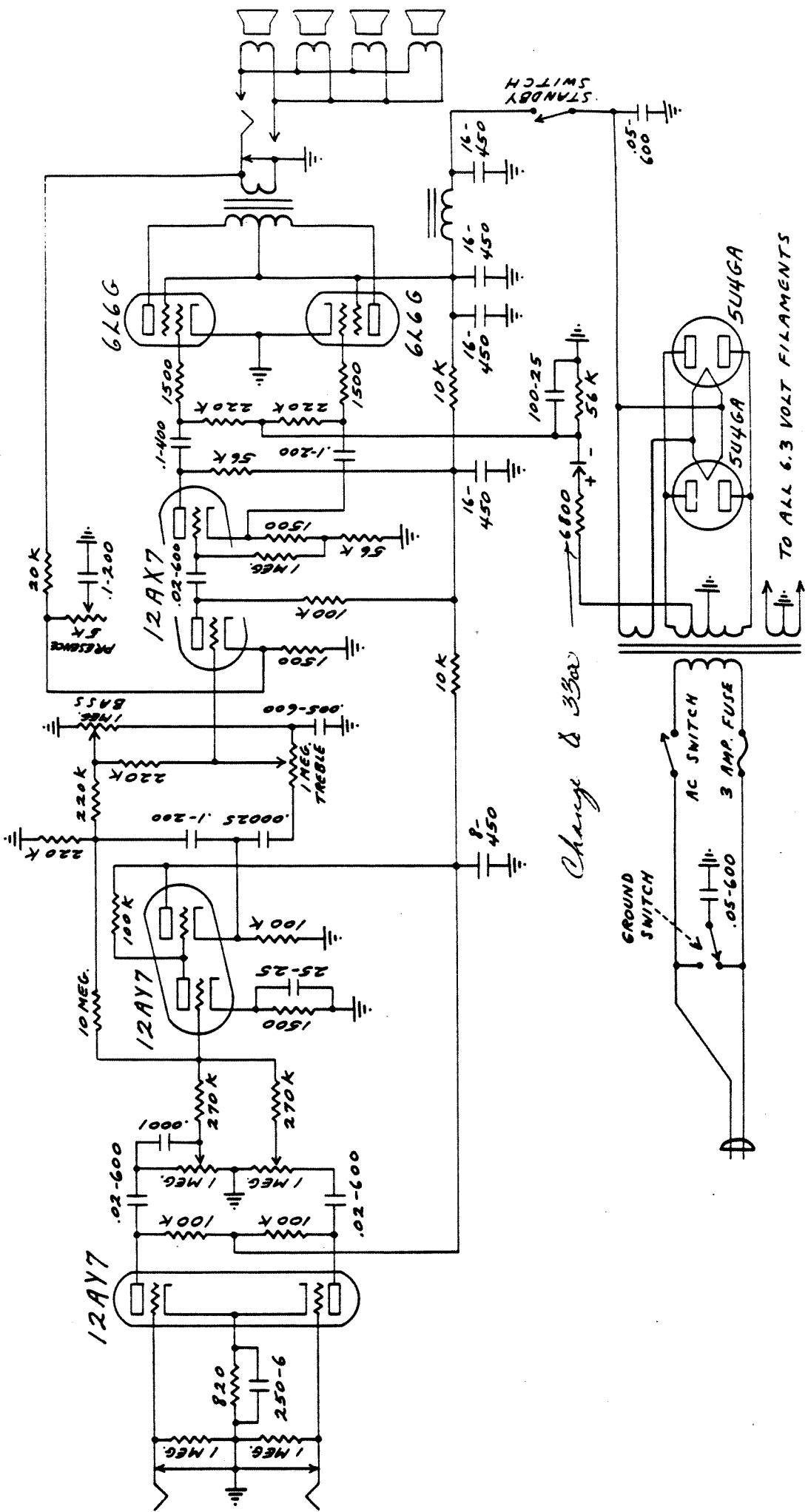


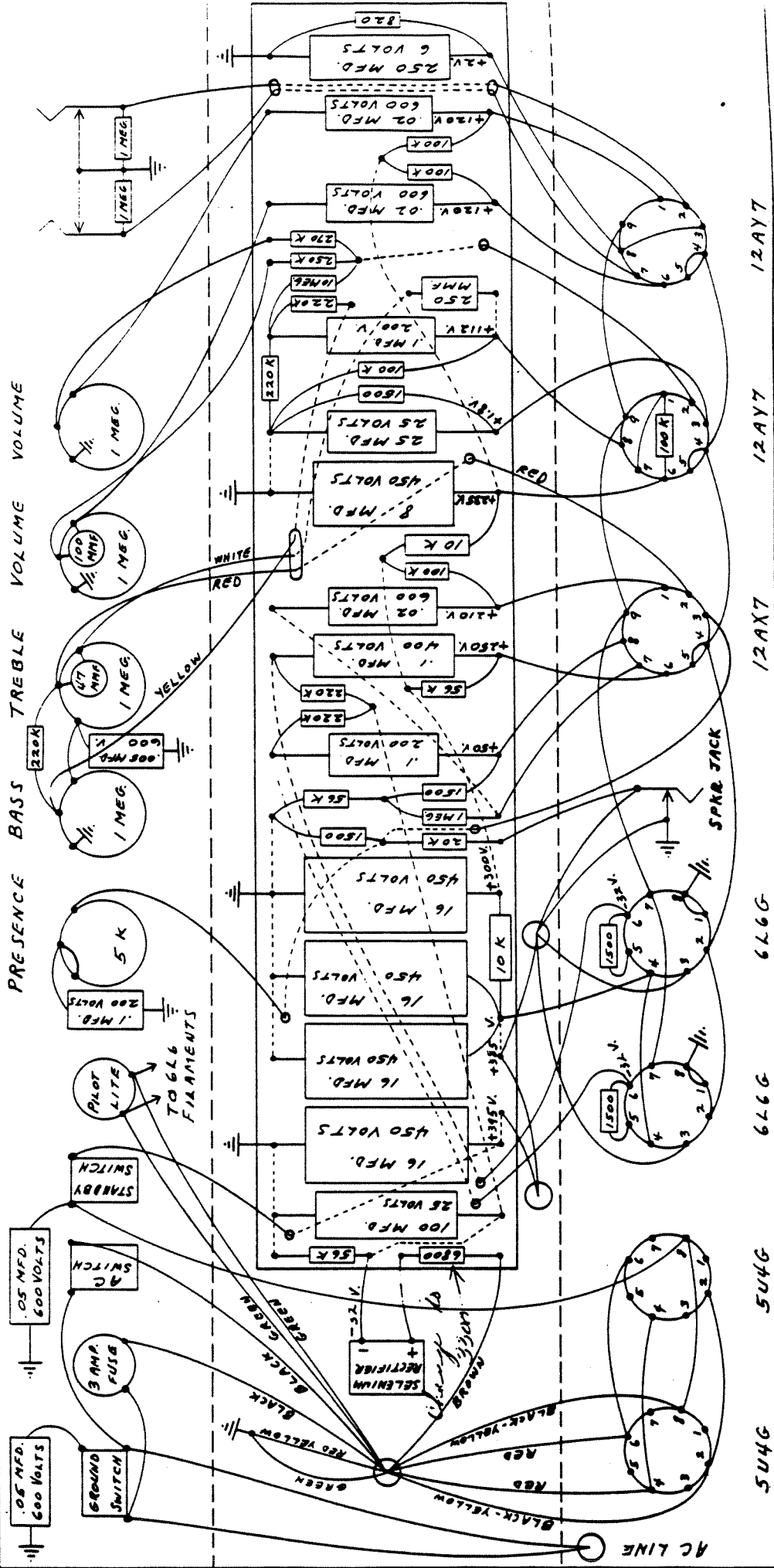
# FENDER "BASSMAN" SCHEMATIC MODEL 5E6 A-EE

58



# FENDER "BASS-MAN" LAYOUT

NOTICE  
VOLTAGES READ TO GROUND  
WITH ELECTRONIC VOLTMETER.  
VALUES SHOWN IN UK 2.5%  
A-EE



5U4G 5U4G 6L6G 6L6G 12AX7 12AX7 12AY7 12AY7