

# FENDER "BASSMAN" SCHEMATIC

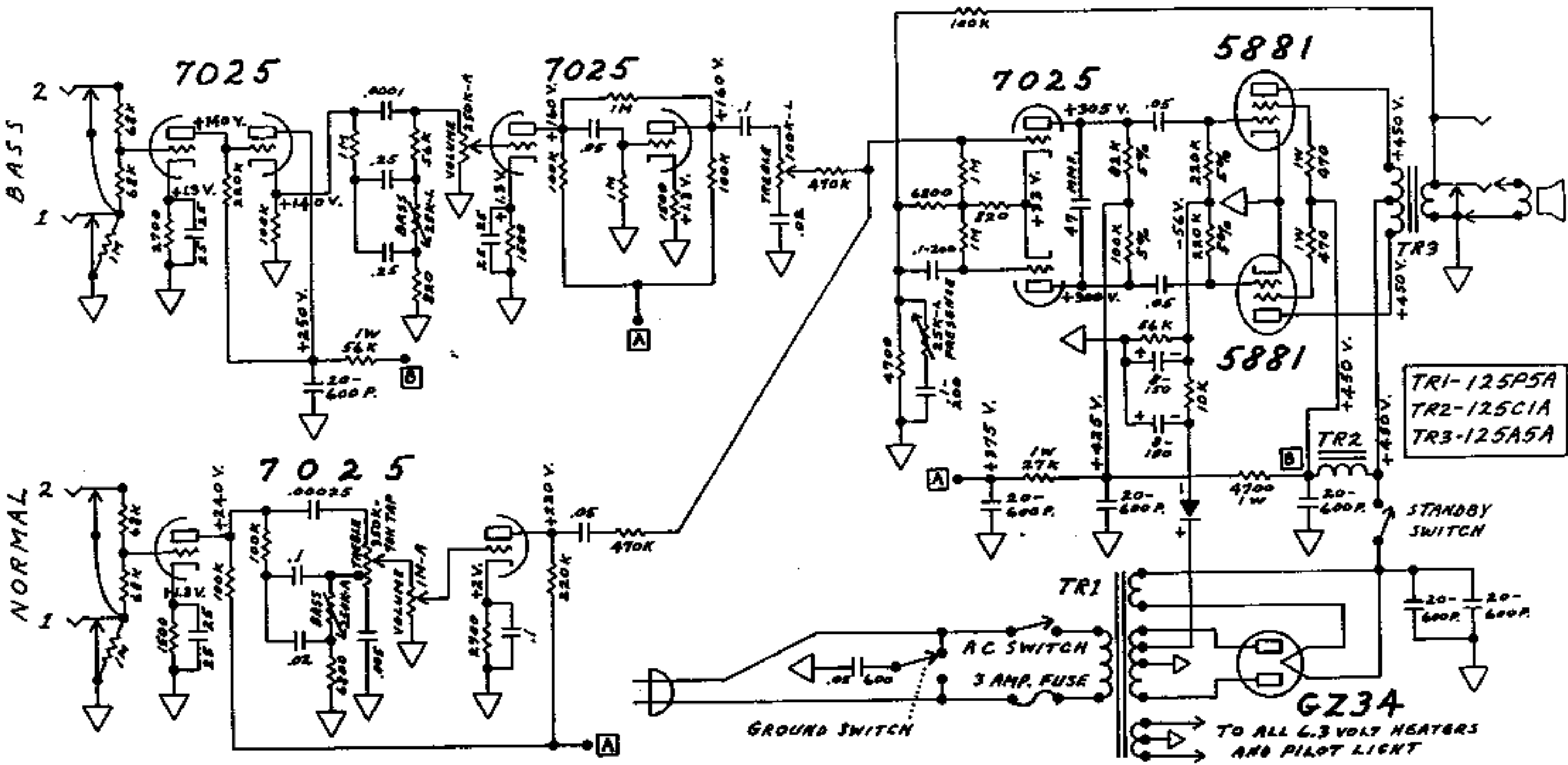
## MODEL 666

B-FA

P/B

# NOTICE

- 1- VOLTAGES READ TO GROUND WITH ELECTRONIC VOLTMETER. VALUES SHOWN + OR - 20%
- 2- ALL RESISTORS 1/2 WATT, 10% TOLERANCE UNLESS SPECIFIED.
- 3- ALL CAPACITORS AT LEAST 400 VOLT RATING UNLESS SPECIFIED.



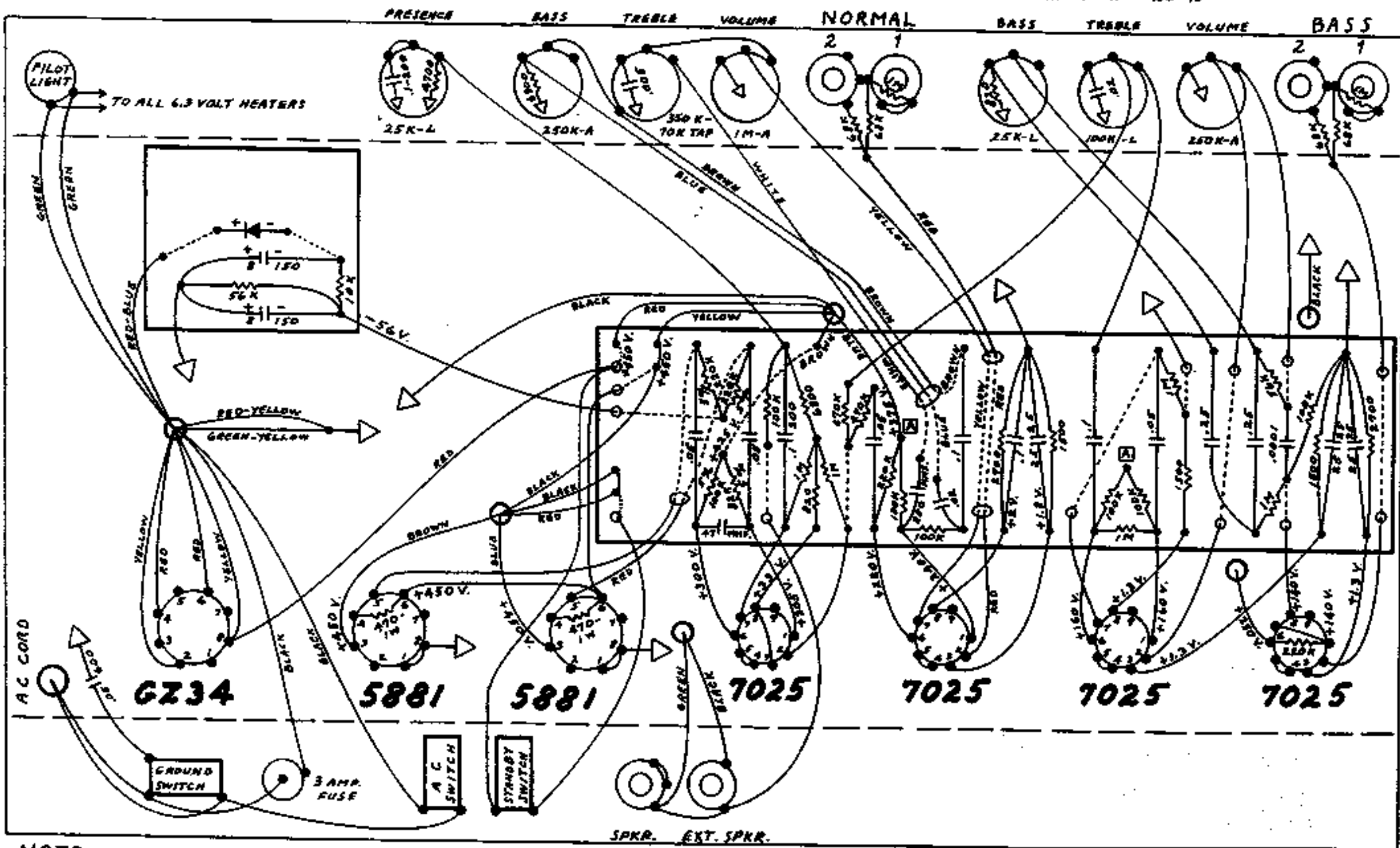
# FENDER "BASSMAN" LAYOUT <sup>1/8</sup>

## MODEL 666

B-FA

# NOTICE

VOLTAGES READ TO GROUND WITH ELECTRONIC VOLTMETER. VALUES SHOWN + OR - 20%



NOTE - ALL RESISTORS  $\frac{1}{2}$ W, 10% TOLERANCE IF NOT SPECIFIED.

NOTE - ALL CAPACITORS AT LEAST 400 VOLT RATING IF NOT SPECIFIED.