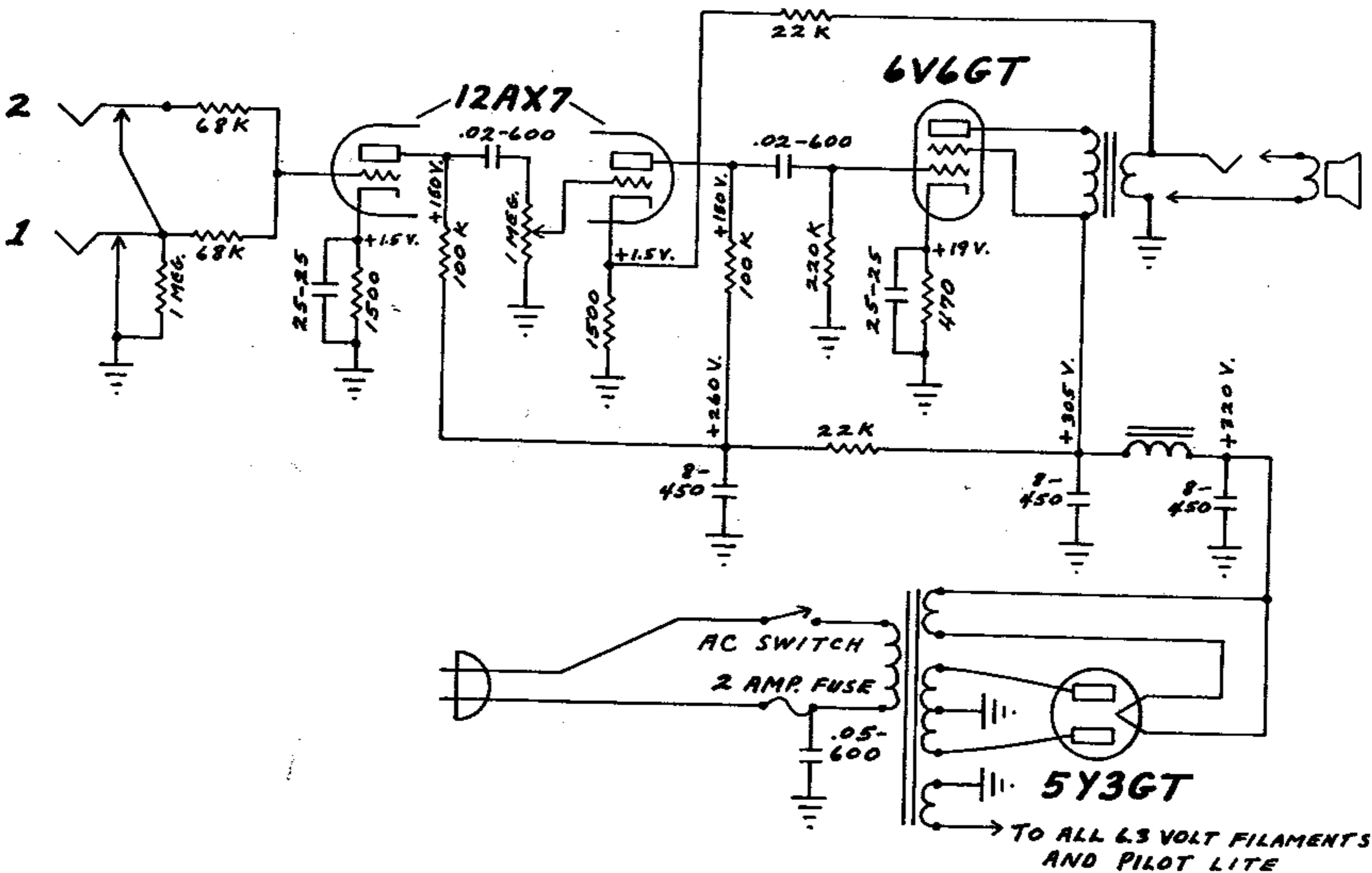


# FENDER "CHAMP-AMP" SCHEMATIC

## MODEL 5E1

H-EE



# FENDER "CHAMP-AMP" LAYOUT

## MODEL 5E1

# NOTICE

VOLTAGES READ TO GROUND  
WITH ELECTRONIC VOLTMETER  
VALUES SHOWN + OR - 20%

H-EE

