

# FENDER MODEL

# "VIBRO-CHAMP AMP AA764" SCHEMATIC

# NOTICE

- 1 - VOLTAGES READ TO GROUND WITH ELECTRONIC VOLTMETER. VALUES SHOWN + OR - 20%.
- 2 - ALL RESISTORS 1/2 WATT 10% TOLERANCE IF NOT SPECIFIED.
- 3 - ALL CAPACITORS AT LEAST 400 VOLT RATING IF NOT SPECIFIED.

1-FD

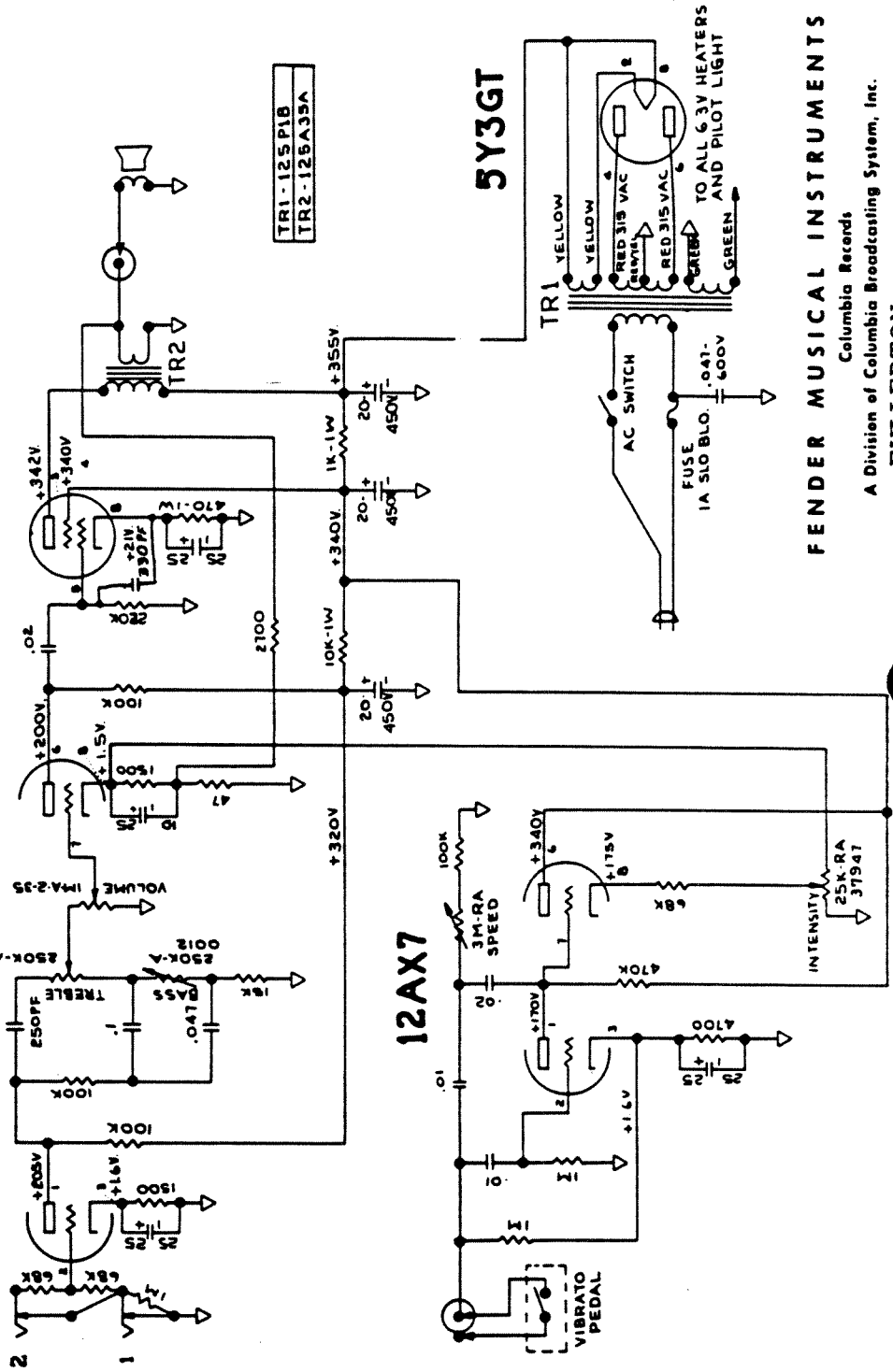
THIS PRODUCT IS MANUFACTURED UNDER THE FOLLOWING U.S. PATENT: DES. 192859

## INSTRUMENTS

1/2-12AX7

1/2-12AX7

6V6GT



TR1-125P1B  
TR2-125A35A

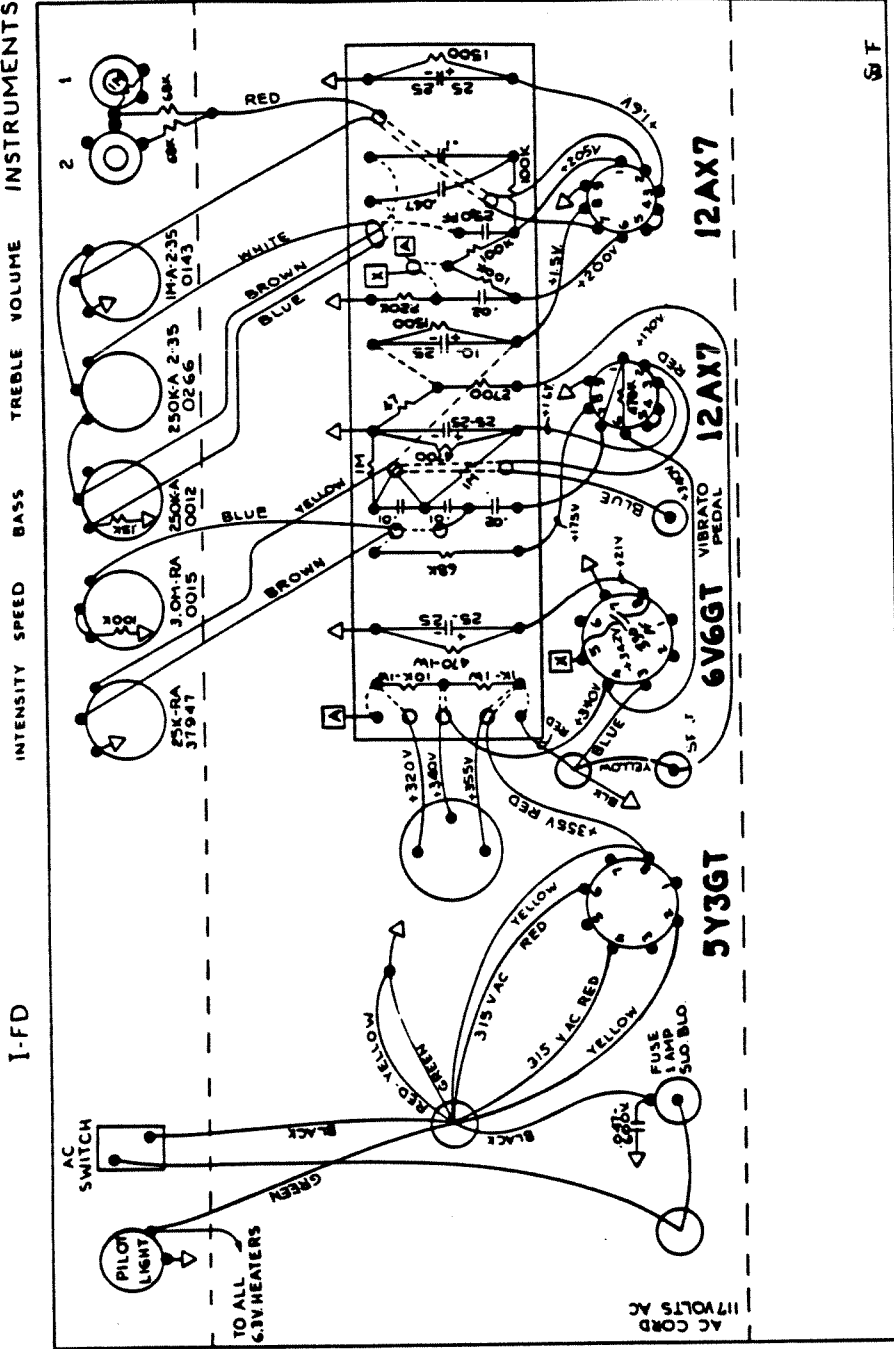
5Y3GT

FENDER MUSICAL INSTRUMENTS  
Columbia Records  
A Division of Columbia Broadcasting System, Inc.  
FULLERTON CALIFORNIA  
U. S. A.

# NOTICE

- 1- VOLTAGES READ TO GROUND WITH ELECTRONIC VOLT METER VALUES SHOWN + OR - 20%
- 2- ALL RESISTORS 1/2 WATT 10% TOLERANCE IF NOT SPECIFIED
- 3- ALL CAPACITORS AT LEAST 400 VOLT RATING IF NOT SPECIFIED.

## FENDER "VIBRO-CHAMP-AMP AA764" LAYOUT



NOTE-ALL RESISTORS 1/2 WATT 10% TOLERANCE, IF NOT SPECIFIED NOTE-ALL CAPACITORS AT LEAST 400 VOLT RATING IF NOT SPECIFIED

### FENDER MUSICAL INSTRUMENTS

Columbia Records  
 A Division of Columbia Broadcasting System, Inc.  
**FULLERTON CALIFORNIA**  
 U. S. A.