

41

# FENDER MODEL

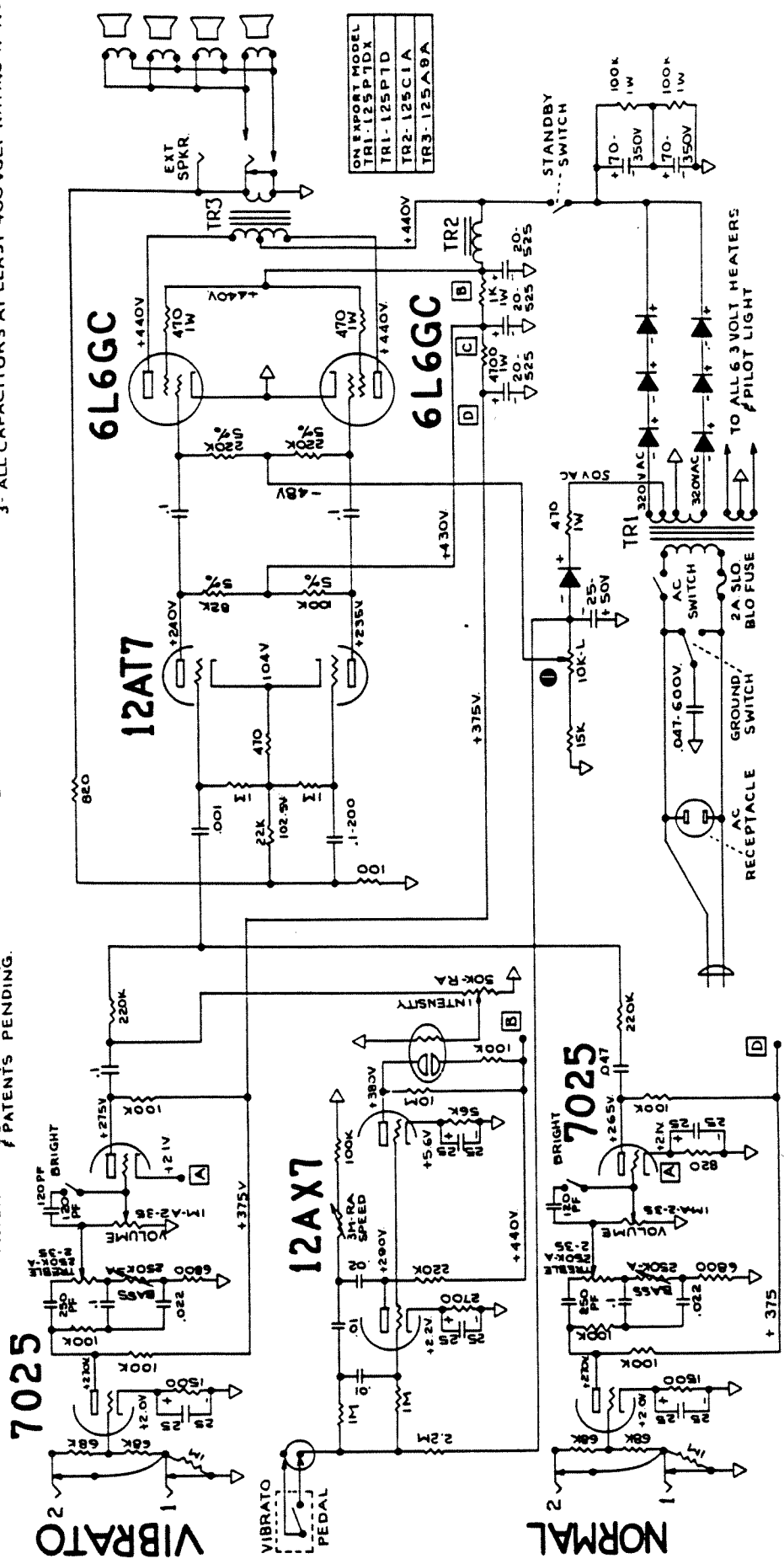
# "CONCERT-AMP AA763" SCHEMATIC

## NOTICE

- 1- VOLTAGES READ TO GROUND WITH ELECTRONIC VOLTMETER VALUES SHOWN + OR - 20%.
- 2- ALL RESISTORS 1/2 WATT 10% TOLERANCE IF NOT SPECIFIED
- 3- ALL CAPACITORS AT LEAST 400VOLT RATING IF NOT SPECIFIED

THIS PRODUCT MANUFACTURED UNDER ONE OR MORE OF THE FOLLOWING U.S. PATENTS- #2817108, #2973601, 192859 PATENTS- PENDING.

L-FC



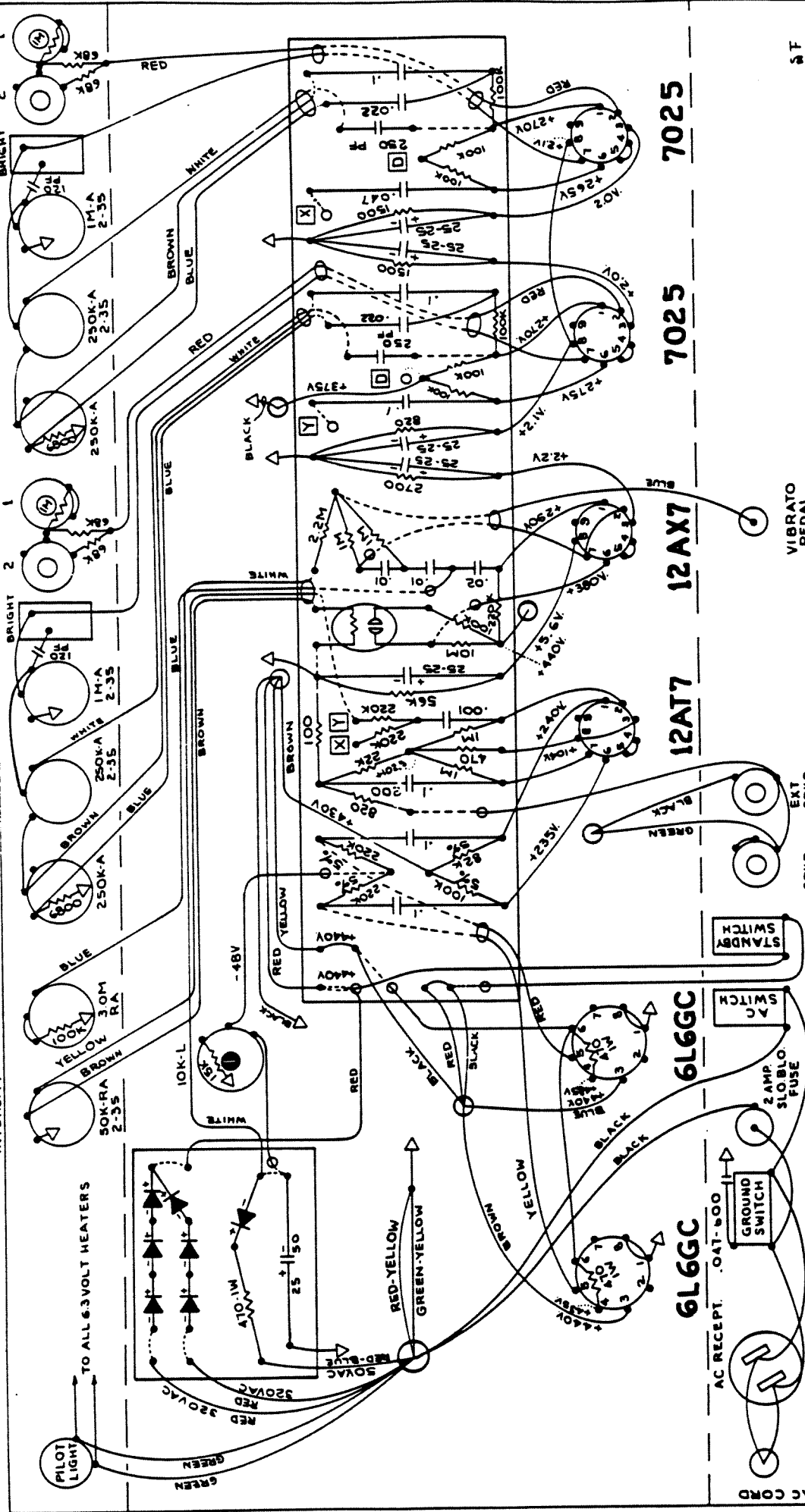
FENDER MUSICAL INSTRUMENTS  
 A DIVISION OF COLUMBIA RECORDS DISTRIBUTION CORP.  
 SANTA ANA, CALIFORNIA  
 U.S.A.

# FENDER "CONCERT-AMP AA763" LAYOUT MODEL

## NOTICE

VOLTAGES READ TO GROUND WITH ELECTRONIC VOLTMETER. VALUES SHOWN + OR - 20%.

INTENSITY SPEED BASS TREBLE VOLUME VIBRATO BASS TREBLE VOLUME NORMAL



NOTE: ALL RESISTORS 1/2 WATT 10% TOLERANCE IF NOT SPECIFIED. NOTE: ALL CAPACITORS AT LEAST 400 VOLT RATING IF NOT SPECIFIED.

FENDER MUSICAL INSTRUMENTS  
 A DIVISION OF COLUMBIA RECORDS DISTRIBUTION CORP.  
 SANTA ANA, CALIFORNIA  
 U.S.A.