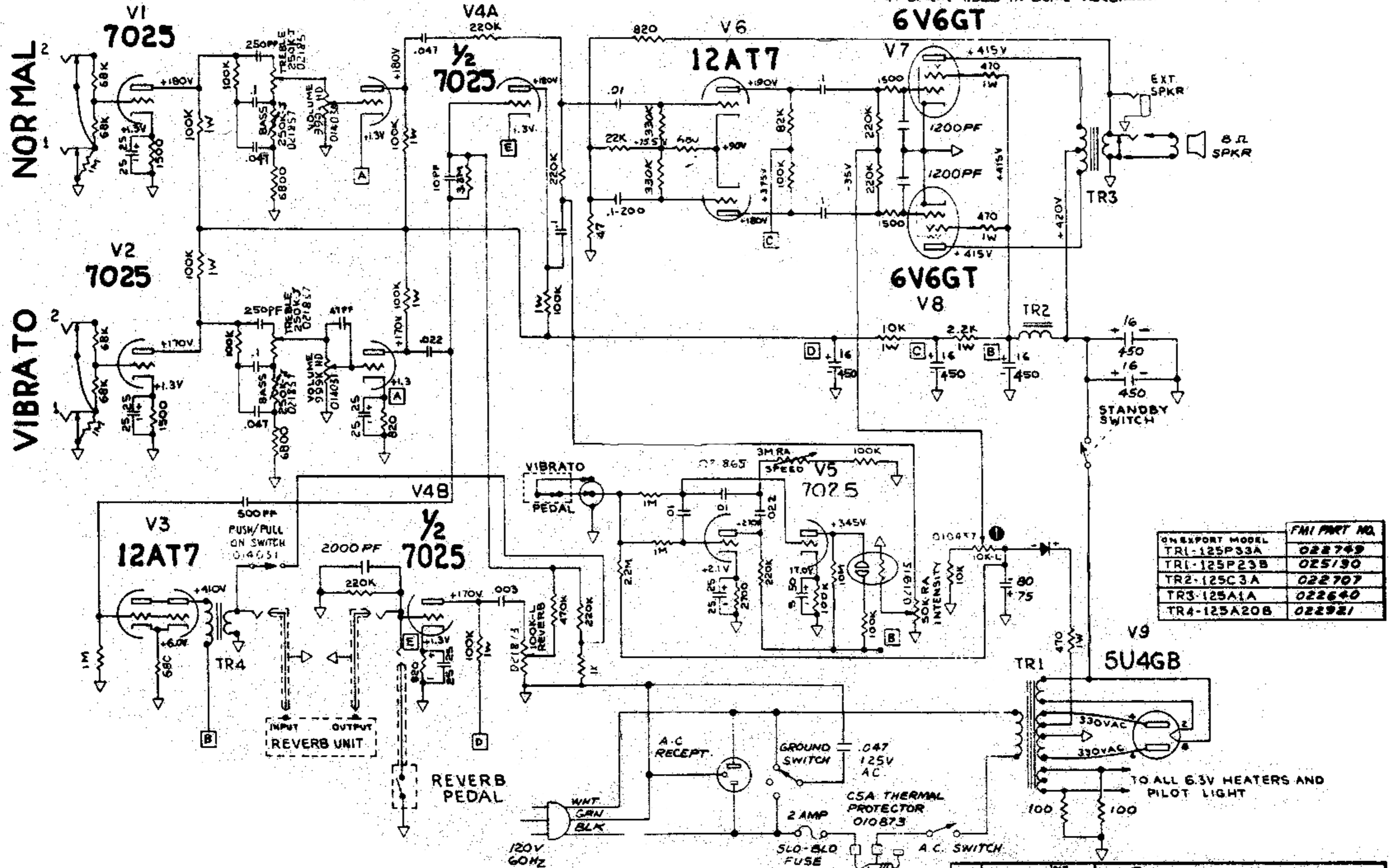


FENDER "DELUXE REVERB-AMP MODEL

SCHEMATIC NOTICE

THIS PRODUCT MANUFACTURED UNDER ONE OR MORE OF THE FOLLOWING U.S. PATENTS
CIRCUIT PATENT #2817708, #2913681
DESIGN PATENT #192859

- 1 - VOLTAGES READ TO GROUND WITH ELECTRONIC VOLTMETER
VALUES SHOWN + OR - 10%
- 2 - ALL RESISTORS 1/2 WATT 10% TOLERANCE IF NOT SPECIFIED
- 3 - ALL CAPACITORS AT LEAST 400 VOLT RATING IF NOT SPECIFIED
- 4 - 010873 USED IN SOME VERSIONS



| GEN EXPORT MODEL | FMI PART NO. |
|------------------|--------------|
| TR1-125P33A | 022749 |
| TR1-125P23B | 025190 |
| TR2-125C3A | 022707 |
| TR3-125A1A | 022640 |
| TR4-125A20B | 022921 |

| DWN | EDN | DCO | DATE | BY |
|----------|-----|-----|---------|----|
| | | | 10-6-77 | |
| CHK | | | | |
| APPD. | | | | |
| APPD. | | | | |
| APPROVAL | | | | |
| APPROVAL | | | | |

Fender MUSICAL INSTRUMENTS
SANTA ANA, CALIFORNIA

DWG. TITLE
**SCHEMATIC & WIRING DIAGRAM
DELUXE REV-AMP W/
VOLUME BOOST**

REL. NO. 10-6-77 C
DWG. NO. 014641

SCALE MODEL DELUXE REV-AMP SHEET 1 OF 1