

USED IN SOME VERSIONS.

WHEN INSTALLING NEW 6L6'S RESET O.T. MATCHING FOR MIN. H.W.

6.027 MV W/ LEAD 70K

- CAUTION** REVERSE BATTERY POLARITY MAY BE HARMFUL TO THE POWER SUPPLY. ALWAYS ALLOW AT LEAST 20 SECONDS FOR VOLTAGES TO BLEED OFF BEFORE SERVICING ANY PARTS.
1. VOLTAGES READ TO GROUND WITH VTVM, NO SIGNAL. UNLESS OTHERWISE SPECIFIED
  2. ALL RESISTORS (Ω, k, M, Ω)
  3. ALL CAPACITORS (pF, μF, μFD, μF)
  4. SIX DIGIT NUMBERS ARE FEMER PART NUMBERS.
  5. 6X4 TYPICAL. 1KHZ SIGNAL REQUIRED FOR 60 WATT OUTPUT AND 700 MV REVERSE INPUT COIL DRIVE. (CONTROLS MAX., LEAD OFF)

ILLUSTRATION  
 SPEAKER  
 TUNING  
 LIGHTS  
 REVERSE  
 VOLUME  
 BASS  
 TREBLE  
 MUTE  
 A.C. SWITCH  
 COMMON  
 VOLUME SELECTOR  
 250V  
 230V  
 200V  
 180V  
 160V  
 140V  
 120V  
 COMMON  
 180V/160V  
 160V/140V  
 140V/120V  
 120V/0  
 0/250V  
 0/230V  
 0/200V  
 0/180V  
 0/160V  
 0/140V  
 0/120V

NOTE - GROUND SWITCH, 250V AC CAP. AND AC. NEUTRAL SELECTED. Q13H7.

100 TO 250V EXPORT VERSIONS ONLY (50/60 HZ) 3 AMP FUSE 500 MA 600V TEL/GRN.

(4) CARBOCTORS .002, 1KV  
 (5) DIODES 1N3367 AND FUSE IS 5 AMP.

RADIO MODEL		PART NO.	
FRONT PANEL	REVERSE PANEL	FRONT PANEL	REVERSE PANEL
DATE ORDERED	DATE RECEIVED	DATE ORDERED	DATE RECEIVED
NAME	NAME	NAME	NAME
ADDRESS	ADDRESS	ADDRESS	ADDRESS
CITY	CITY	CITY	CITY
STATE	STATE	STATE	STATE
COUNTY	COUNTY	COUNTY	COUNTY
ZIP	ZIP	ZIP	ZIP

EXPORT AC. CAP. TEL/GRN. COMMON. 180V/160V 160V/140V 140V/120V 120V/0 0/250V 0/230V 0/200V 0/180V 0/160V 0/140V 0/120V

NOTE - GROUND SWITCH, 250V AC CAP. AND AC. NEUTRAL SELECTED. Q13H7.

100 TO 250V EXPORT VERSIONS ONLY (50/60 HZ) 3 AMP FUSE 500 MA 600V TEL/GRN.

(4) CARBOCTORS .002, 1KV  
 (5) DIODES 1N3367 AND FUSE IS 5 AMP.

USED IN SOME VERSIONS.  
 WHEN INSTALLING NEW 6L6'S RESET O.T. MATCHING FOR MIN. H.W.  
 6.027 MV W/ LEAD 70K

**CAUTION** REVERSE BATTERY POLARITY MAY BE HARMFUL TO THE POWER SUPPLY. ALWAYS ALLOW AT LEAST 20 SECONDS FOR VOLTAGES TO BLEED OFF BEFORE SERVICING ANY PARTS.

1. VOLTAGES READ TO GROUND WITH VTVM, NO SIGNAL. UNLESS OTHERWISE SPECIFIED
2. ALL RESISTORS (Ω, k, M, Ω)
3. ALL CAPACITORS (pF, μF, μFD, μF)
4. SIX DIGIT NUMBERS ARE FEMER PART NUMBERS.
5. 6X4 TYPICAL. 1KHZ SIGNAL REQUIRED FOR 60 WATT OUTPUT AND 700 MV REVERSE INPUT COIL DRIVE. (CONTROLS MAX., LEAD OFF)

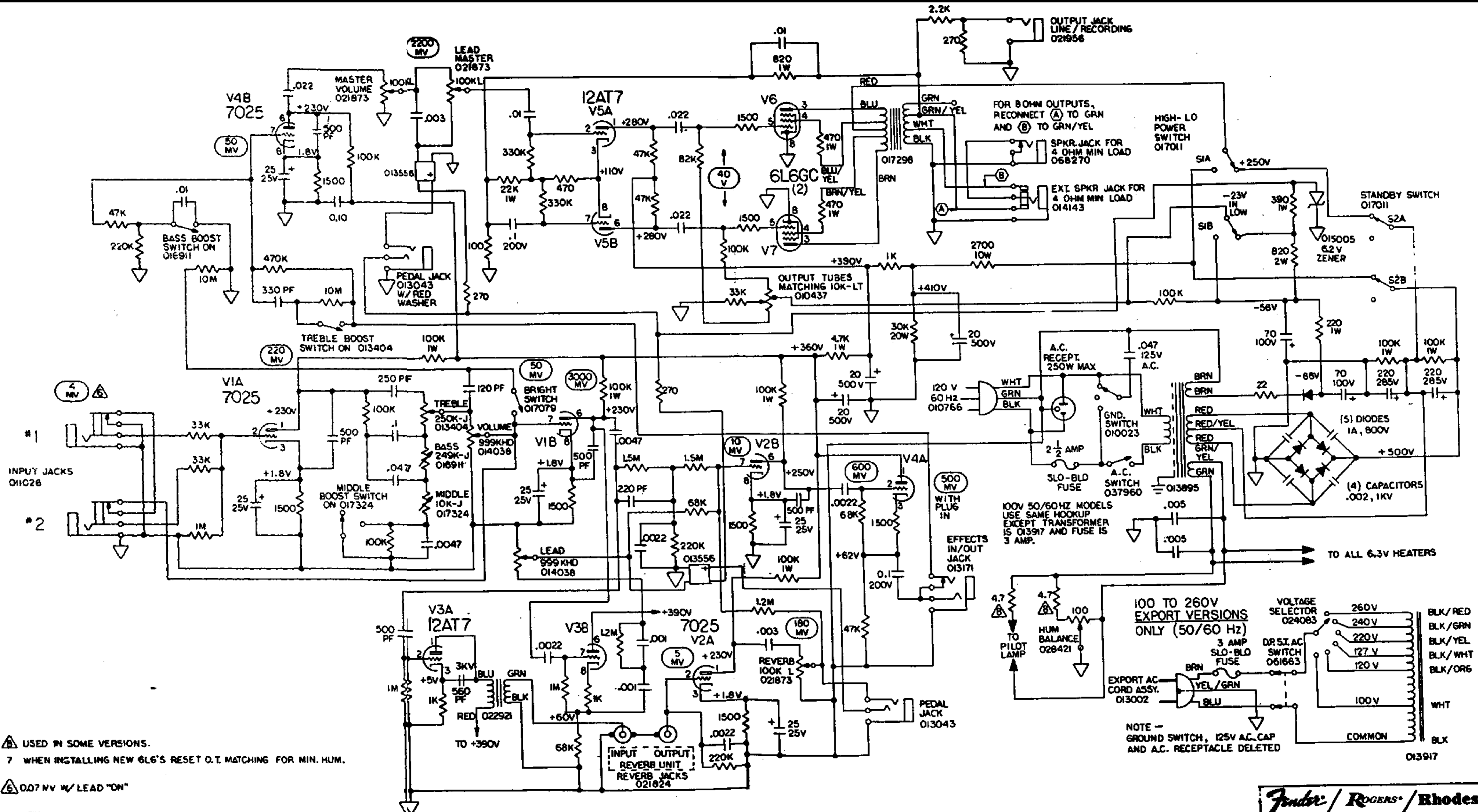
NOTES: UNLESS OTHERWISE SPECIFIED

**Fender / Rhoads**  
 DOME LEAD AMPLIFIER WITH REVERSE CONTROL  
 DOMESTIC EXPORT & JAPAN

75W LEAD AMP WITH REVERSE CONTROL

MADE IN U.S.A.

PART NO. 017419



- ⚠ USED IN SOME VERSIONS.
  - 7 WHEN INSTALLING NEW 6L6'S RESET O.T. MATCHING FOR MIN. HUM.
  - ⚠ .007 MV W/ LEAD "ON"
  - 5. ○ DENOTE TYPICAL 1KHZ SIGNAL REQUIRED FOR 10 WATT OUTPUT AND 700 MV REVERB INPUT COIL DRIVE. (CONTROLS MAX., LEAD OFF)
  - 4. SIX DIGIT NUMBERS ARE FENDER PART NUMBERS.
  - 3. ALL CAPACITORS AT LEAST 600V, W.V.D.C.
  - 2. ALL RESISTORS 1/2 WATT ±10%
  - 1. VOLTAGES READ TO GROUND WITH V.T.M. NO SIGNAL.
- NOTE: UNLESS OTHERWISE SPECIFIED

**CAUTION**  
 500 VOLTS AVAILABLE - DISCONNECT POWER SUPPLY AND ALLOW AT LEAST 20 SECONDS FOR VOLTAGES TO "BLEED" OFF BEFORE SERVICING AMPLIFIER.

NOTE - GROUND SWITCH, 125V A.C. CAP AND A.C. RECEPTACLE DELETED

**Fender / Rogers / Rhodes**  
 CBS MUSICAL INSTRUMENTS - A DIVISION OF CBS INC.  
 FORT WORTH, CALIFORNIA 76101

PART NAME  
**75W LEAD AMP WITH REVERB**  
 DOMESTIC, EXPORT & JAPAN

RELEASE	REV	PART NO.	REV
	D	017419	
SCALE	MODEL NO.		