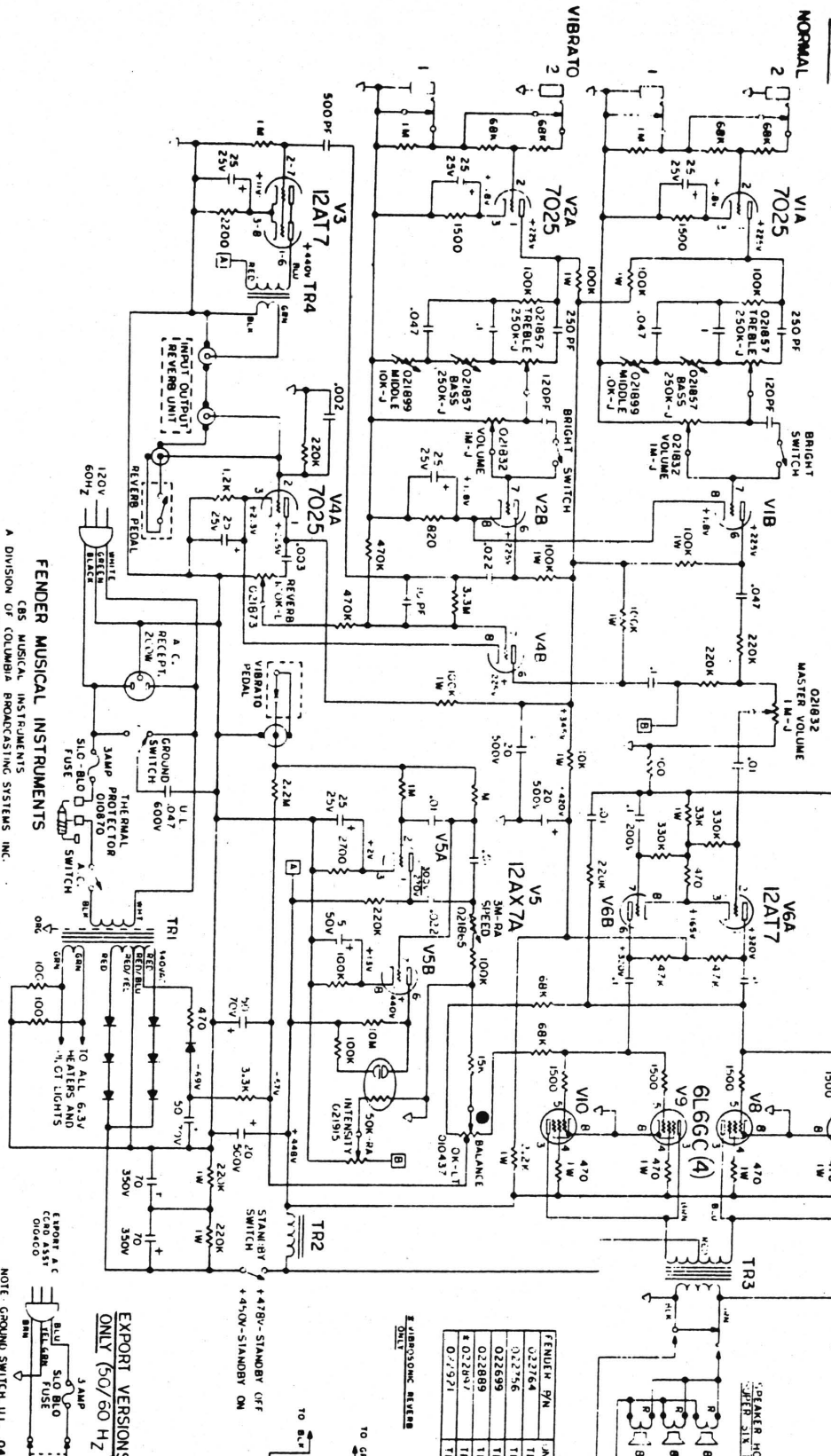


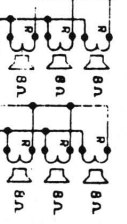
THIS PRODUCT VARIANTS ARE DESCRIBED UNDER ONE OR MORE OF THE FOLLOWING U.S. PATENTS 2,817,700, 2,913,881, 1,928,959 AND PATENTS PENDING.

4 TO 8 OHMS, EXTERNAL SPEAKER



R DEMOTES RED DOT ON SPEAKER

SPK HOOKUP FOR SPEAKER WITH REVERB

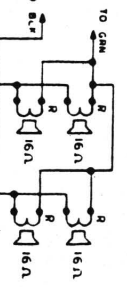


SPK HOOKUP FOR DUAL SHOWN REVERB AND TWIN REVERB

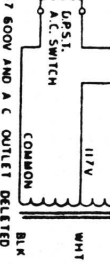
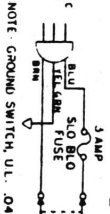
FENDER P/N	EXPORT MODEL
022764	TR1-125P344A
022756	TR1-125P344A
022699	TR2-125J1A
022889	TR3-125A29A
022887	TR3-125A30A
022921	TR4-125A20A

EXTRINSIC REVERB ONLY

SPK HOOKUP FOR QUAD REVERB



EXPORT VERSIONS ONLY (50/60 HZ)



- 4 FENDER P/N FOR CONTROLS INDICATED
- 1 ALL CAPACITORS AT LEAST 5% TOL. W.V.D.C.
- 2 4 455K OHM ± 5% 1/2 WATT ± 50V
- 3 ALL RESISTORS AT LEAST 1% TOL. W.V.D.C.
- 4 ALL VOLTAGES MEASUREMENT WITH VTRM WITH VIBR-673
- 5 ALL VOLTAGES MEASUREMENT WITH VTRM WITH VIBR-673
- 6 REVERSE (EXCEPT V5) WITH INPUT SIGNAL.
- 7 SERIALS OF PARTS LIST MUST BE APPROVED BY CBS-LEI TO AVOID STARTING PRODUCTION
- 8 THIS MANUAL OVERSEAS SPECIFIED

FENDER MUSICAL INSTRUMENTS  
CBS MUSICAL INSTRUMENTS  
A DIVISION OF COLUMBIA BROADCASTING SYSTEMS INC.  
FULLERTON, CALIFORNIA  
U.S.A.

This model does not have the push pull switch on the Master Volume Control. See drawing 010182, Revision F for this change.

**CBS** COLUMBIA BROADCASTING SYSTEMS INC.

ORG. TITLE: **SCHEMATIC**

100 WATTS RMS AMP  
W/REVERB AND VIBRATO

REV	C
NO	D
DATE	010182
BY	SEVERAL
CHKD	1 OF 1