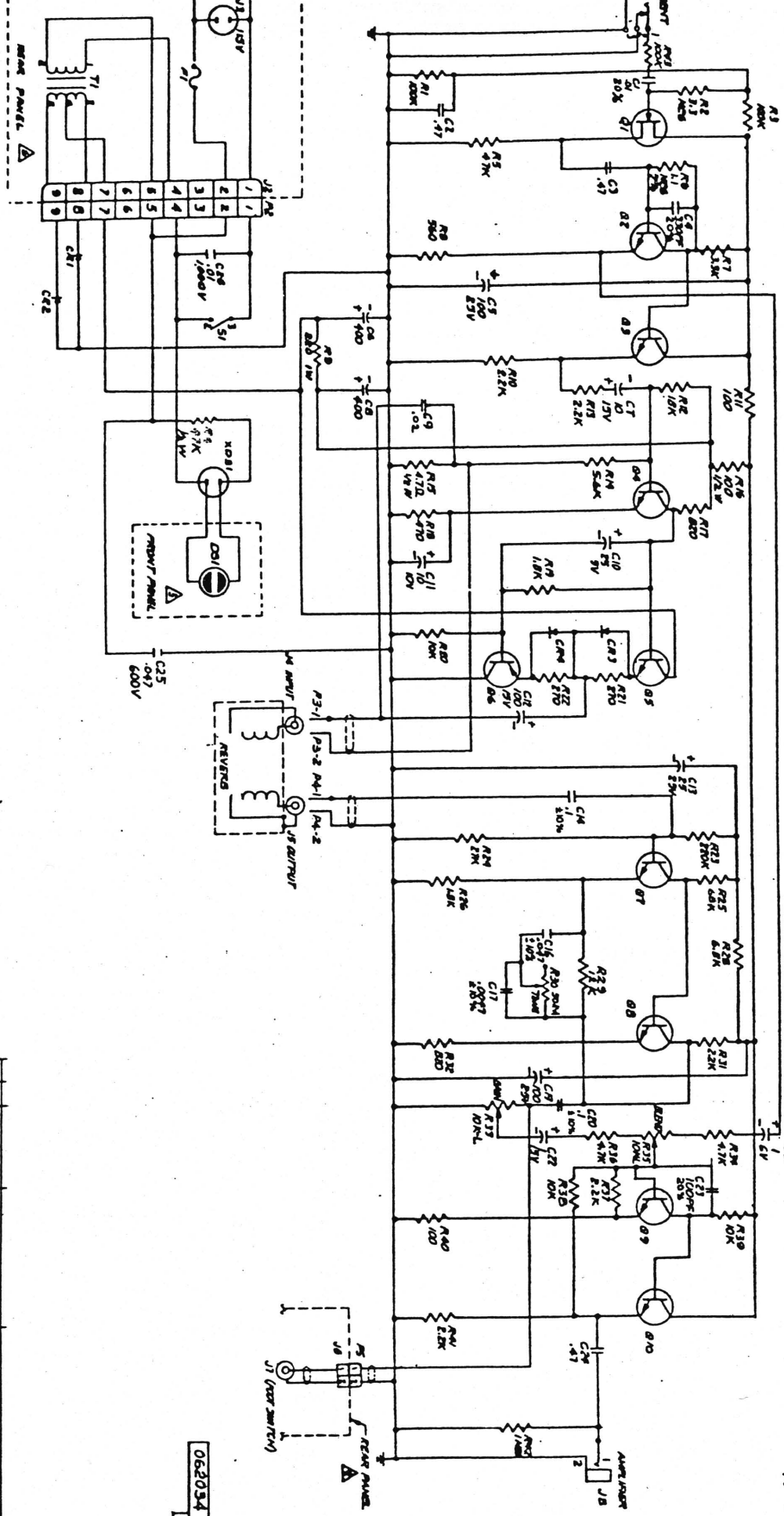


REV	DESCRIPTION	DATE	BY
1	ADDED R43 PER E20-251.		
2	IMPROVED E20-251.		



ALL COMPONENT VALUES ARE MINIMUM, OVER NUMBER VALUES  
 VALUES MAY BE USED.  
 COMPONENT MOUNTED ON CHASSIS  
 COMPONENT MOUNTED ON CONTROL PANEL.  
 ALL COMPONENTS ARE MOUNTED ON P.C. BOARD.  
 LAST REFERENCE DESIGNATION USED R43, C68, B10, U8, D51, S1, F1, P2, C64, T1 (XO81), A-11110 R43, C17, C18.  
 ALL CAPACITORS ARE RATED AT 50% TOLERANCE, UNLESS OTHERWISE SPECIFIED.  
 UNLESS OTHERWISE SPECIFIED:  
 ALL RESISTORS ARE IN OHMS, AND VALUES IN OHMS  $\times 10^3$ .

DATE	BY	REVISION	DESCRIPTION
12/10/50	WHD	1	INITIAL
12/10/50	WHD	2	INITIAL

DATE	BY	REVISION	DESCRIPTION
12/10/50	WHD	1	INITIAL
12/10/50	WHD	2	INITIAL

DATE	BY	REVISION	DESCRIPTION
12/10/50	WHD	1	INITIAL
12/10/50	WHD	2	INITIAL

DATE	BY	REVISION	DESCRIPTION
12/10/50	WHD	1	INITIAL
12/10/50	WHD	2	INITIAL

062034

SCHEMATIC-REVERBS  
 FR 1000

062034