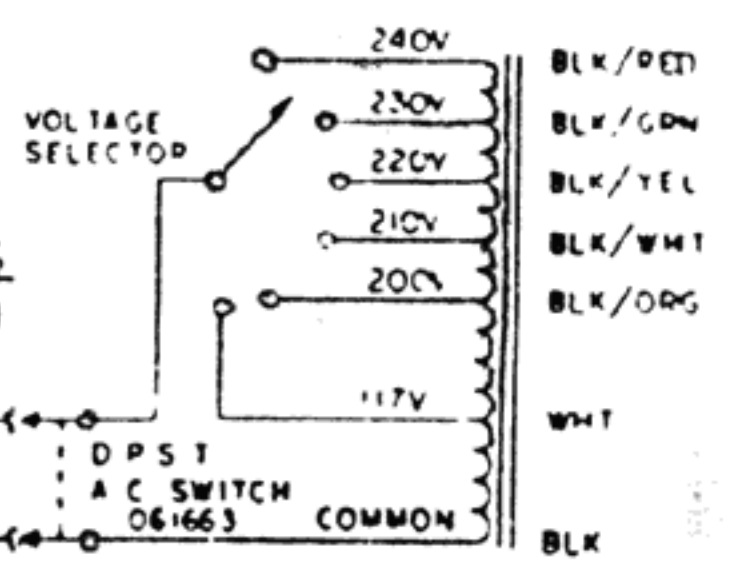


OUTPUT
100 WATTS RMS
TOTAL LOAD
IMPEDANCE
4 OHMS

FENDER P/N	ON EXPORT MODEL
022764	TR1-125P34AY
022756	TR1-125P34A
022699	TR2-125C1A
022899	TR3-125A29A
022921	TR4-125A20A



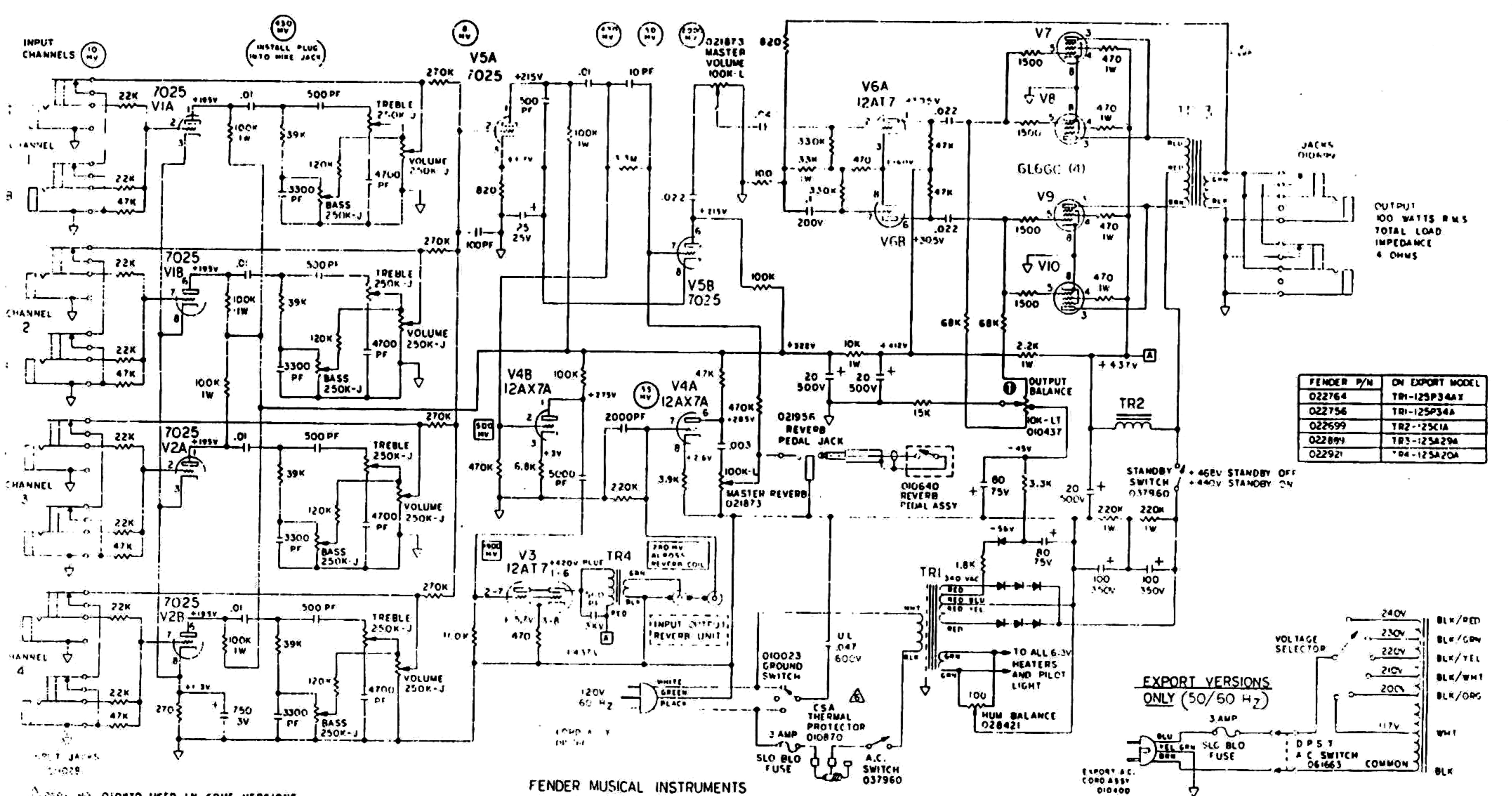
EXPORT VERSIONS
ONLY (50/60 HZ)

NOTE GROUND SWITCH, UL 047 600V DELETED.

FENDER MUSICAL INSTRUMENTS
CBS MUSICAL INSTRUMENTS
A DIVISION OF COLUMBIA BROADCASTING SYSTEMS INC
FULLERTON, CALIFORNIA
U.S.A.

PART NO 010870 USED IN SOME VERSIONS.
WITH ALL CONTROLS SET AT MAXIMUM, (10 MV) DENOTES,
TYPICAL 4000HZ SIGNAL REQUIRED FOR 10 WATTS OUTPUT
AND FOR SUPPLYING 280 MV TO REVERB UNITS INPUT COIL
(17 MV) DENOTES REVERB DRIVER SIGNAL, EXCLUSIVELY
VOLUME, BASS, AND TREBLE, CONTROLS ARE FENDER P/N 021857, VALUE 250K-J.
FENDER P/N FOR CONTROLS INDICATED
ALL CAPACITORS AT LEAST 600V, W.V.D.C.
ALL RESISTORS ARE 1/2 WATTS ± 10%.
1. SAMPLES OF FIRST ARTICLE PARTS MUST BE APPROVED BY CBS R/E/ENG. BEFORE STARTING PRODUCTION
LESS OTHERWISE SPECIFIED

UNLESS OTHERWISE SPECIFIED		DATE	ROSALES	7/3/72	CBS	
REVISIONS	DESCRIPTION	DATE	BY	REASON	MUSICAL INSTRUMENTS FULLERTON, CALIFORNIA	
1	INITIAL	7/3/72	RS	NEW	- SCHEMATIC -	
2	REVISED				100 WATTS RMS PUBLIC ADDRESS AMP TUBE TYPE	
3	REVISED				REV. NO. 633	
4	REVISED				SHEET 1 OF 1	
5	REVISED				DRAWN BY D	
6	REVISED				CHECKED BY	
7	REVISED				MATERIAL	
8	REVISED				PARTS LIST	
9	REVISED				CROSS REFERENCE	
10	REVISED				REVISIONS	
11	REVISED				REVISIONS	
12	REVISED				REVISIONS	
13	REVISED				REVISIONS	
14	REVISED				REVISIONS	
15	REVISED				REVISIONS	
16	REVISED				REVISIONS	
17	REVISED				REVISIONS	
18	REVISED				REVISIONS	
19	REVISED				REVISIONS	
20	REVISED				REVISIONS	
21	REVISED				REVISIONS	
22	REVISED				REVISIONS	
23	REVISED				REVISIONS	
24	REVISED				REVISIONS	
25	REVISED				REVISIONS	
26	REVISED				REVISIONS	
27	REVISED				REVISIONS	
28	REVISED				REVISIONS	
29	REVISED				REVISIONS	
30	REVISED				REVISIONS	
31	REVISED				REVISIONS	
32	REVISED				REVISIONS	
33	REVISED				REVISIONS	
34	REVISED				REVISIONS	
35	REVISED				REVISIONS	
36	REVISED				REVISIONS	
37	REVISED				REVISIONS	
38	REVISED				REVISIONS	
39	REVISED				REVISIONS	
40	REVISED				REVISIONS	
41	REVISED				REVISIONS	
42	REVISED				REVISIONS	
43	REVISED				REVISIONS	
44	REVISED				REVISIONS	
45	REVISED				REVISIONS	
46	REVISED				REVISIONS	
47	REVISED				REVISIONS	
48	REVISED				REVISIONS	
49	REVISED				REVISIONS	
50	REVISED				REVISIONS	



- 1. PART NO 010870 USED IN SOME VERSIONS.
- 2. WITH ALL CONTROLS SET AT MAXIMUM, (10 MV) DENOTES, TYPICAL AUDIO SIGNAL REQUIRED, FOR 10 WATTS OUTPUT AND FOR SUPPLYING 280 MV TO REVERB UNITS INPUT COIL.
- 3. (50 MV) DENOTES REVERB DRIVER SIGNAL, EXCLUSIVELY.
- 4. VOLUME, BASS, AND TREBLE, CONTROLS ARE FENDER P/N 021852 VALUE 250K-J
- 5. FENDER P/N FOR CONTROLS INDICATED
- 6. ALL CAPACITOR AT LEAST 600V, W.V.D.C.
- 7. ALL RESISTORS ARE 1/2 WATTS ± 10%.
- 8. SAMPLES OF FIRST ARTICLE PARTS MUST BE APPROVED BY CBS BEFORE STARTING PRODUCTION.

FENDER MUSICAL INSTRUMENTS
 CBS MUSICAL INSTRUMENTS
 A DIVISION OF COLUMBIA BROADCASTING SYSTEMS INC
 FULLERTON, CALIFORNIA
 U.S.A.

NOTE GROUND SWITCH, UL 047 600V DELETED.

UNLESS OTHERWISE SPECIFIED		DATE	ROSALES	REV	7/3/72
TOLERANCES		CHK			
FRAC	± 10%	APPRO			
DEC	± 5%	APPRO			
INT	± 1%	APPRO			
RES	± 5%	APPRO			
MATERIAL					
REVISIONS					
PA100					
REVISED PARTS ARE TO ALL DIMENSIONS AND IN ALL CASES					
DO NOT SCALE DRAWINGS					
NEXT ASSY NO.		PARTS CHECK		DATE	

CBS MUSICAL INSTRUMENTS FULLERTON, CALIFORNIA		— SCHEMATIC —	
100 WATTS RMS PUBLIC ADDRESS AMP TUBE TYPE			
REV NO	SHEET	DATE	BY
633	D	011116	C
PART NO		REV	
CBS		REV	