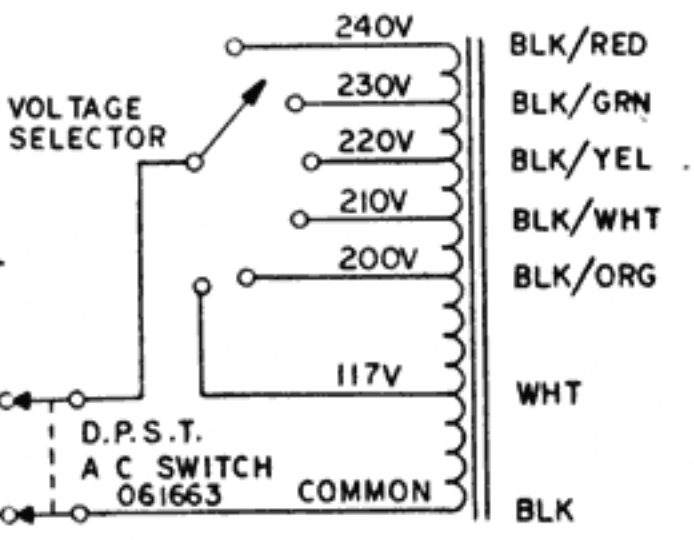


FENDER P/N	ON EXPORT MODEL
022764	TR1-125P34AX
022756	TR1-125P34A
022699	TR2-125CIA
022889	TR3-125A29A
022921	TR4-125A20A
010695	100MF 350V
020982	20MF 500V
003994	80MF 75V



- △ PART NO. 010870 USED IN SOME VERSIONS.
5. WITH ALL CONTROLS SET AT MAXIMUM, (XX MV) DENOTES, TYPICAL 400Hz SIGNAL REQUIRED FOR 10 WATTS OUTPUT AND FOR SUPPLYING 800 MV TO REVERB UNITS INPUT COIL
- (MV) DENOTES REVERB DRIVER SIGNAL, EXCLUSIVELY.
4. BASS AND TREBLE CONTROLS ARE P/NO21857.
3. FENDER P/N FOR CONTROLS INDICATED.
2. ALL CAPACITOR AT LEAST 600V, W.V.D.C.
1. ALL RESISTORS ARE 1/2 WATTS ± 10%.

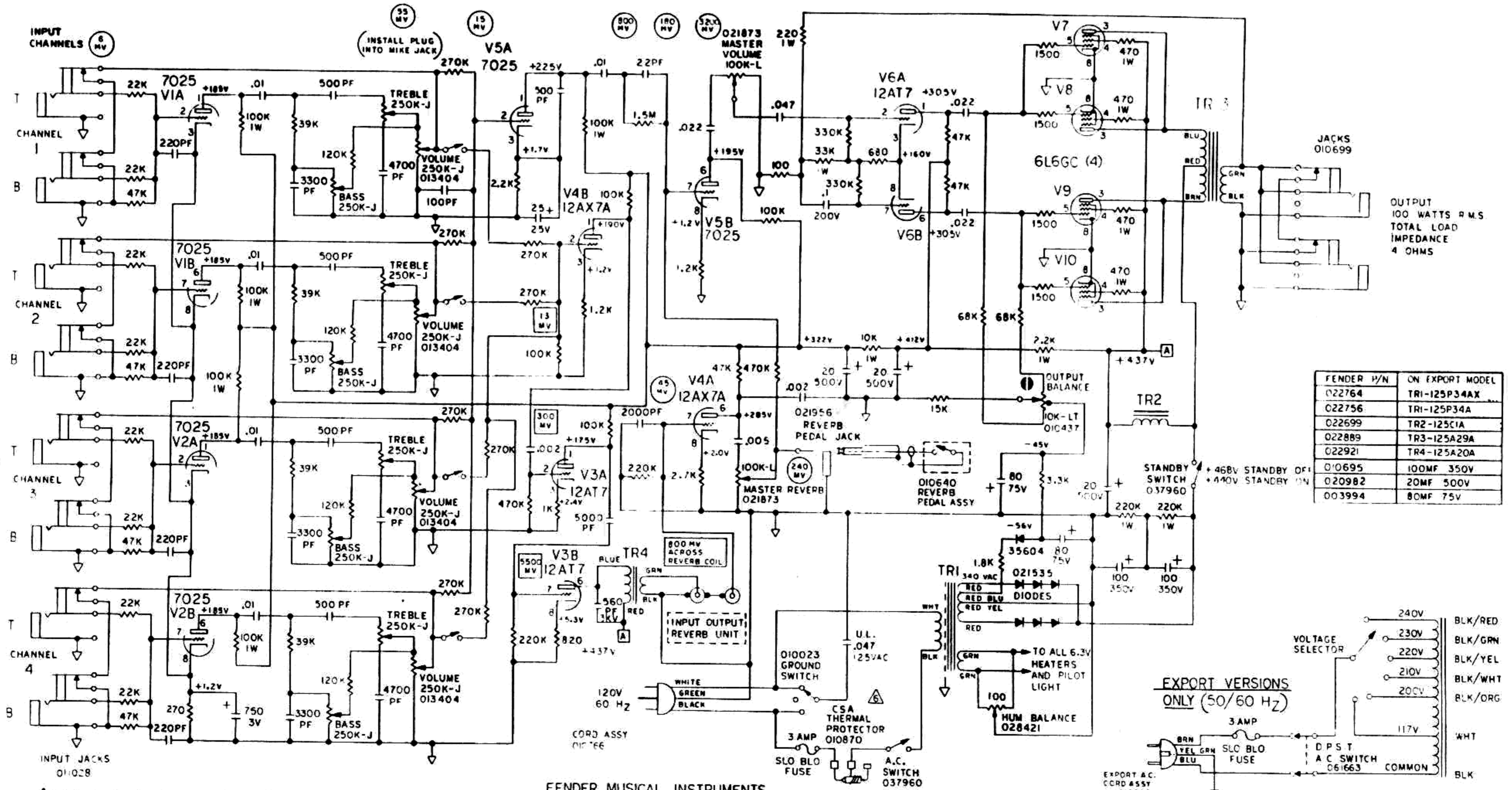
NOTES: UNLESS OTHERWISE SPECIFIED

FENDER MUSICAL INSTRUMENTS
 CBS MUSICAL INSTRUMENTS
 A DIVISION OF CBS INC.
 FULLERTON, CALIFORNIA
 U.S.A.

CBS MUSICAL INSTRUMENTS
 FULLERTON, CALIFORNIA

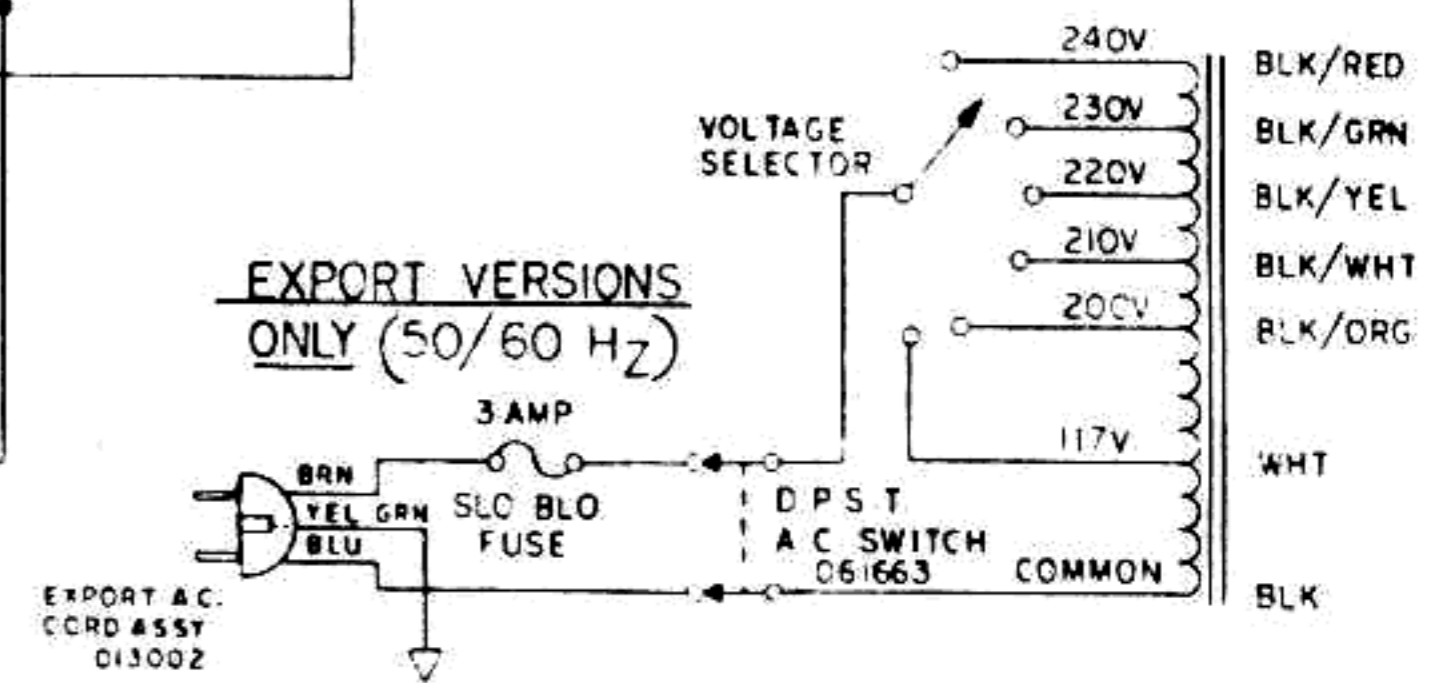
DWG. TITLE — SCHEMATIC —
 100 WATTS RMS PUBLIC
 ADDRESS AMP WITH SEPARATE
 REVERB SWITCHES TUBE TYPE

DWG. NO. 012234



FENDER P/N	ON EXPORT MODEL
022764	TR1-125P34AX
022756	TR1-125P34A
022699	TR2-125C1A
022889	TR3-125A29A
022921	TR4-125A20A
010695	100MF 350V
020982	20MF 500V
003994	80MF 75V

OUTPUT
100 WATTS R.M.S.
TOTAL LOAD
IMPEDANCE
4 OHMS



NOTE GROUND SWITCH, U.L. 047 125V. DELETED.

FENDER MUSICAL INSTRUMENTS
CBS MUSICAL INSTRUMENTS
A DIVISION OF CBS INC.
FULLERTON, CALIFORNIA
U.S.A.

- △ PART NO. 010870 USED IN SOME VERSIONS.
5. WITH ALL CONTROLS SET AT MAXIMUM, (XX MV) DENOTES, TYPICAL 400HZ SIGNAL REQUIRED FOR 10 WATTS OUTPUT AND FOR SUPPLYING 800 MV TO REVERB UNITS INPUT COIL
- (XX MV) DENOTES REVERB DRIVER SIGNAL, EXCLUSIVELY
4. BASS AND TREBLE CONTROLS ARE P/NG21857
3. FENDER P/N FOR CONTROLS INDICATED
2. ALL CAPACITOR AT LEAST 600V. W.V D.C
1. ALL RESISTORS ARE $\sqrt{2}$ WATTS $\pm 10\%$.

1. SAMPLES OF FIRST ARTICLE PARTS MUST BE APPROVED BY CBS P(1) ENL BEFORE STARTING PRODUCTION

NOTES UNLESS OTHERWISE SPECIFIED

CBS MUSICAL INSTRUMENTS
FULLERTON, CALIFORNIA

— SCHEMATIC —
100 WATTS RMS PUBLIC
ADDRESS AMP WITH SEPARATE
REVERB SWITCHED TUBE TYPE

012234