

FENDER MODEL

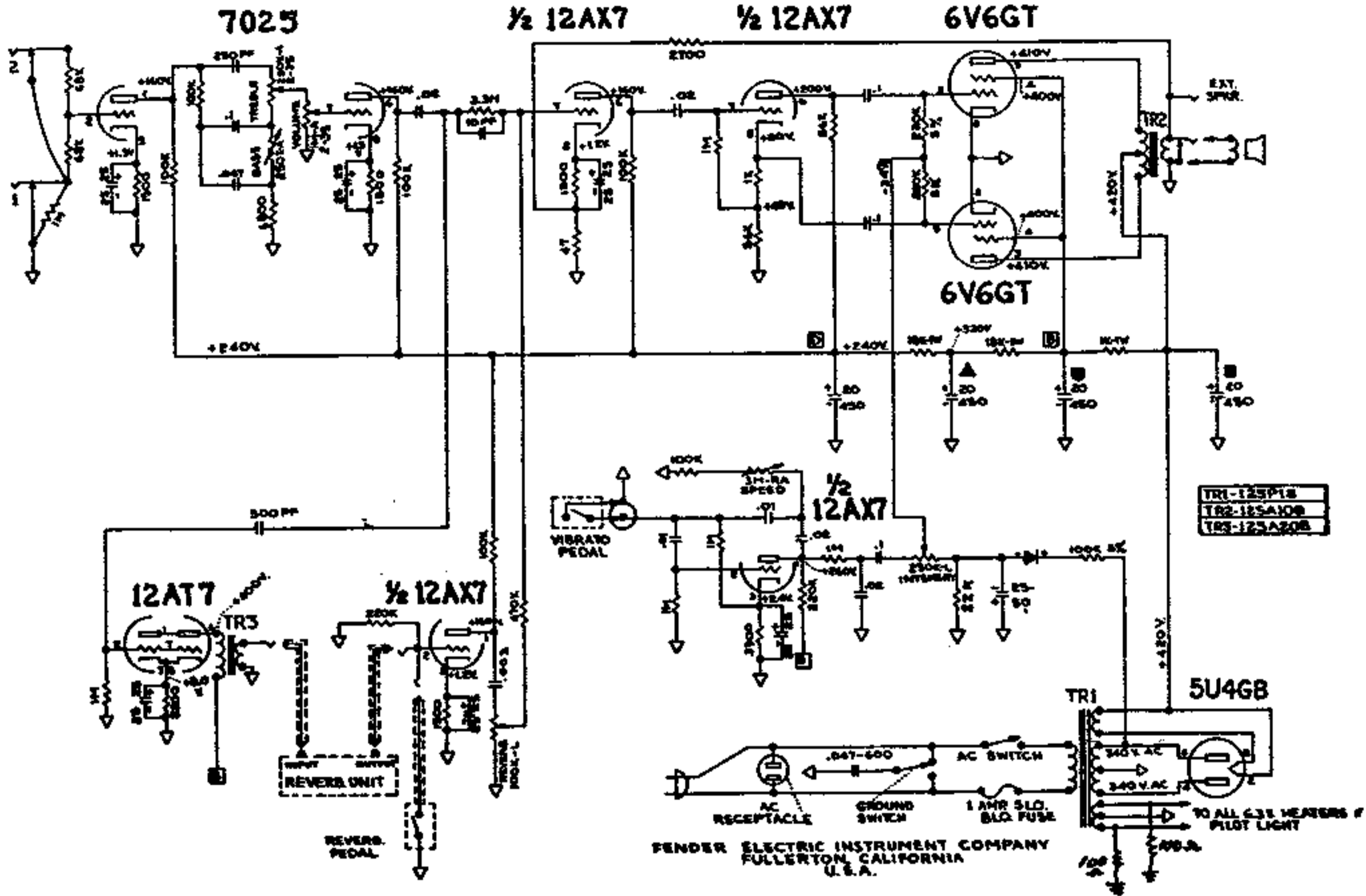
PRINCETON REVERB-AMP AA1164 SCHEMATIC NOTICE

THIS PRODUCT MANUFACTURED UNDER ONE OR MORE OF THE FOLLOWING U.S. PATENTS: #2817708, 2973681, 182659 / PATENTS PENDING.

- VOLTAGES READ TO GROUND WITH ELECTRONIC VOLTMETER. VALUES SHOWN + OR - 20%.
- ALL RESISTORS 1/2 WATT 10% TOLERANCE IF NOT SPECIFIED.
- ALL CAPACITORS AT LEAST 400 VOLT RATING IF NOT SPECIFIED.

K-FD

INSTRUMENTS



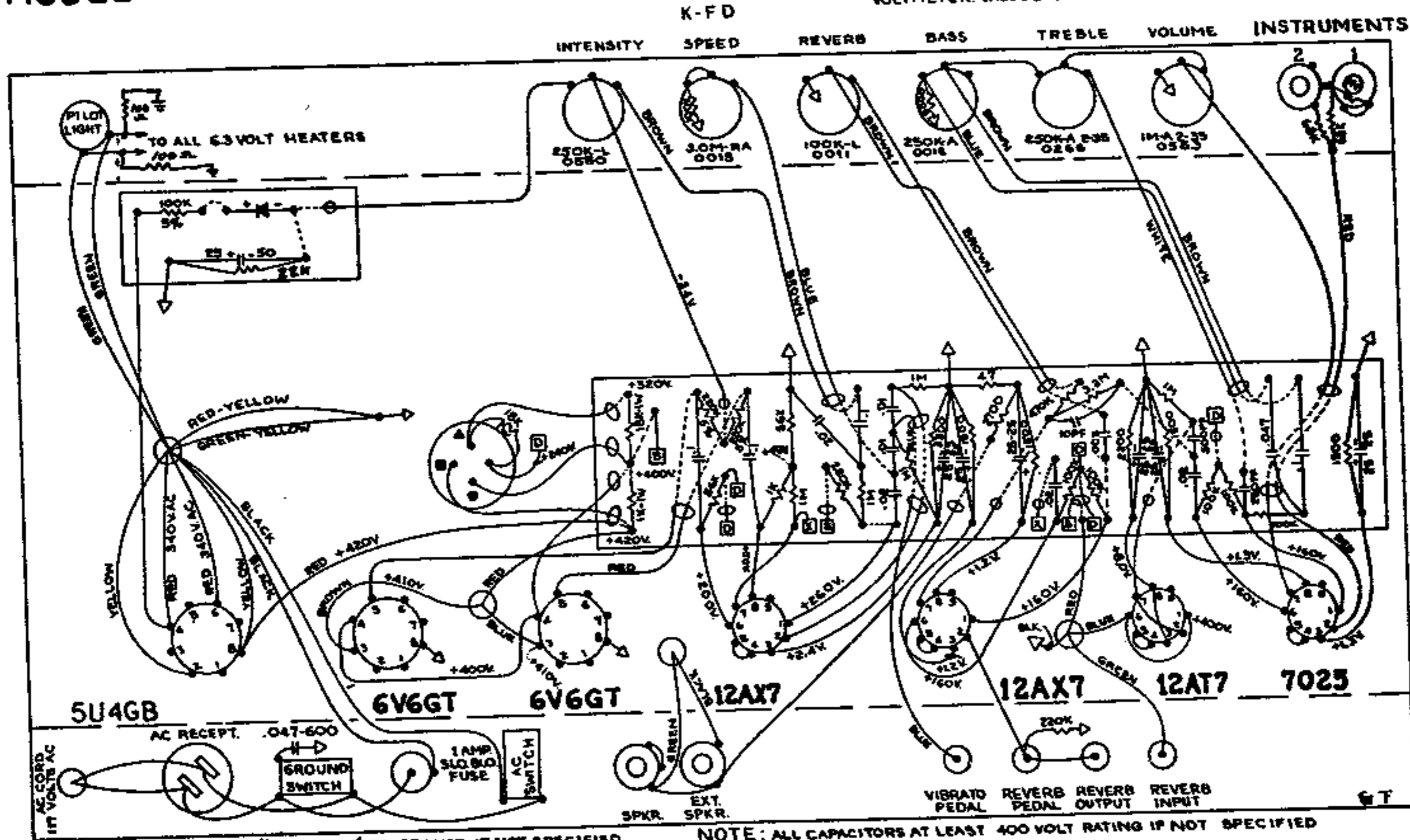
FENDER ELECTRIC INSTRUMENT COMPANY  
FULLERTON, CALIFORNIA  
U.S.A.

FENDER MUSICAL INSTRUMENTS  
605 SPECIAL INSTRUMENTS  
A DIVISION OF GILBERT BRIDGES COMPANY INC.  
FULLERTON CALIFORNIA  
U.S.A.

SCHEMATIC & WIRING DIAGRAM			
AA1164			
PRINCETON REVERB AMP			
REV. NO.	REV.	DATE	BY
57	D	045427	A
SCALE	REVISIONS	REV.	SHEET 1 OF 2
ENC. THIS FILE			

# FENDER "PRINCETON REVERB-AMP AA1164" LAYOUT NOTICE

VOLTAGES READ TO GROUND WITH ELECTRONIC VOLTMETER. VALUES SHOWN +OR - 20%



NOTE: ALL RESISTORS  $\frac{1}{2}$  WATT 10% TOLERANCE, IF NOT SPECIFIED.

NOTE: ALL CAPACITORS AT LEAST 400 VOLT RATING IF NOT SPECIFIED

FENDER ELECTRIC INSTRUMENT COMPANY  
FULLERTON, CALIFORNIA  
U.S.A.