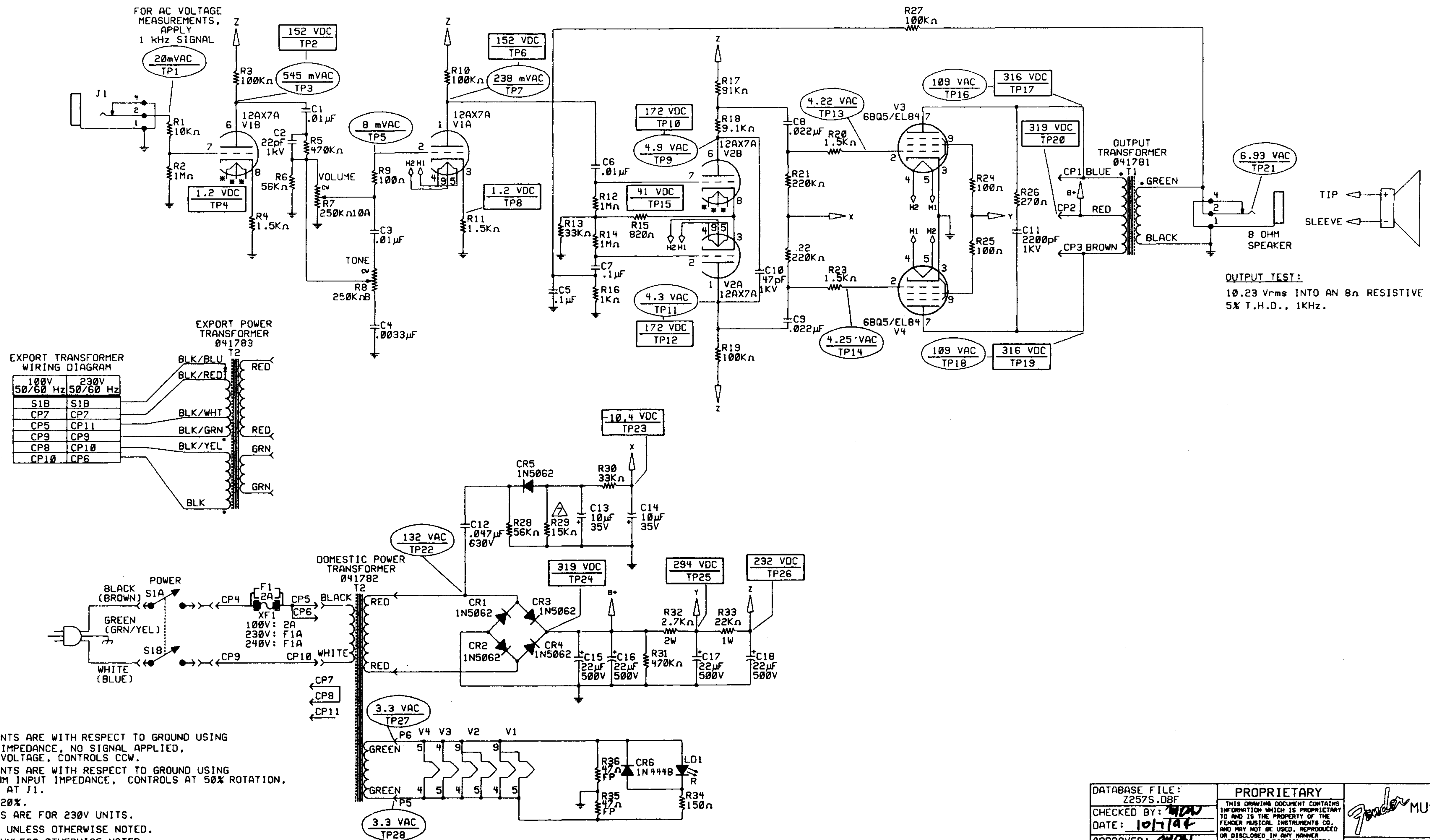


REVISIONS				
ZONE	REV.	DESCRIPTION	DATE	APPROVED
	A	PR257 RELEASE	9/21/93	JSS
	B	EC 1093	10/21/93	JSS
	C	ECO L02942	10/7/94	MDW



EXPORT POWER TRANSFORMER WIRING DIAGRAM

100V	230V	50/60 Hz	50/60 Hz
S1B	S1B	BLK/BLU	RED
CP7	CP7	BLK/RED	RED
CP5	CP11	BLK/WHT	RED
CP9	CP9	BLK/GRN	GRN
CP8	CP10	BLK/YEL	GRN
CP10	CP6	BLK	GRN

OUTPUT TEST:
10.23 Vrms INTO AN 8Ω RESISTIVE LOAD
5% T.H.D., 1KHz.

- NOTES:
- DC VOLTAGE MEASUREMENTS ARE WITH RESPECT TO GROUND USING A DVM OF 10MΩ INPUT IMPEDANCE, NO SIGNAL APPLIED, 120 VAC, 60 Hz LINE VOLTAGE, CONTROLS CCW.
 - AC VOLTAGE MEASUREMENTS ARE WITH RESPECT TO GROUND USING A DVM OF 1MΩ MINIMUM INPUT IMPEDANCE, CONTROLS AT 50% ROTATION, 1 KHz SIGNAL APPLIED AT J1.
 - VOLTAGES MAY VARY ± 20%.
 - COLORS IN PARENTHESIS ARE FOR 230V UNITS.
 - ALL RESISTORS 1/2 WATT UNLESS OTHERWISE NOTED.
 - ALL CAPACITORS 400V UNLESS OTHERWISE NOTED.
- △ R29 IS 18kΩ (FENDER P/N 048903) IN ALL EXPORT UNITS FOR 50Hz OPERATION.

DATABASE FILE: 2257S.DAF CHECKED BY: MDW DATE: 10/7/94 APPROVED: MDW DATE: 10/7/94 TOLERANCES: UNLESS OTHERWISE NOTED X.X .050" X.XX .010" X.XXX .005" ANGLES .500°	PROPRIETARY THIS DRAWING DOCUMENT CONTAINS INFORMATION WHICH IS PROPRIETARY TO AND IS THE PROPERTY OF THE FENDER MUSICAL INSTRUMENTS CO. AND MAY NOT BE USED, REPRODUCED OR DISCLOSED IN ANY MANNER WITHOUT THE EXPRESS WRITTEN CONSENT FROM FENDER MUSICAL INSTRUMENTS CO. FENDER MUSICAL INSTRUMENTS CO. 2521 RESEARCH DRIVE CORONA, CA 91720 ROCK ON.	Fender MUSICAL INSTRUMENTS 2621 Research Drive Corona, CA 91720 TITLE: SCHEMATIC DIAGRAM PRO JUNIOR SIZE: D DRAWN: J S SAMS ENGR: J S SAMS DRAWING NUMBER: 047420 REV: C SCALE: NONE PLOTTED: 05-OCT-94 SHEET 1 OF 1
---	---	---

0047421000