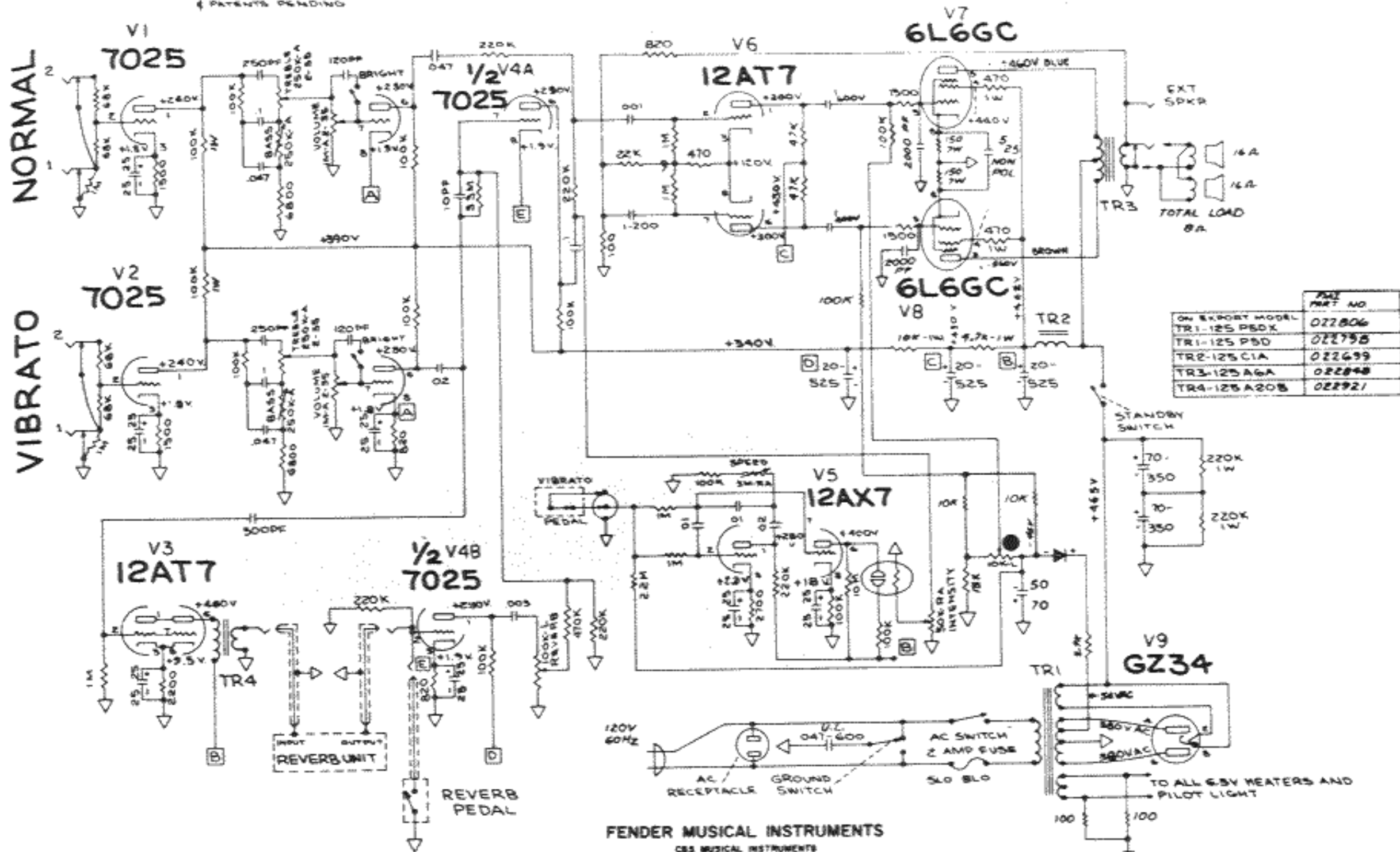


FENDER "PRO-REVERB-AMP AB668" SCHEMATIC

NOTICE

THIS PRODUCT MANUFACTURED UNDER ONE OR MORE OF THE FOLLOWING U.S. PATENTS -
 CIRCUIT PATENT # 2811108, # 2973461
 DESIGN PATENT # 192858
 PATENTS PENDING

1 VOLTAGES READ TO GROUND WITH ELECTRONIC VOLTMETER VALUES SHOWN + OR - 20% VARIATION FROM GND
 2 ALL RESISTORS 1/2 WATT 10% TOLERANCE IF NOT SPECIFIED
 3 ALL CAPACITORS AT LEAST 400 VOLT RATING IF NOT SPECIFIED



TRANSFORMER MODEL	PART NO.
TR1-125 P50X	022806
TR1-125 P50	022758
TR2-125 C1A	022699
TR3-125 A6A	022848
TR4-125 A20B	022921

FENDER MUSICAL INSTRUMENTS
 CBS MUSICAL INSTRUMENTS
 A DIVISION OF COLUMBIA BROADCASTING SYSTEMS INC.
 SANTA ANA, CALIFORNIA
 U.S.A.

OWN	R.R. Linn	DATE	7-25-68	MUSICAL INSTRUMENTS SANTA ANA, CALIFORNIA
CHK				
APPD.				
APPD.				
DWG TITLE SCHEMATIC & WIRING DIAGRAM PRO-REVERB-AMP AB668				
APPROVAL -	REL. NO.	SIZE	DWG. NO.	REV.
	480	D	047753	B
APPROVAL -	SCALE	MODE	NO. OF SHEETS AND SHEET TYPE	SHEET / OF 2