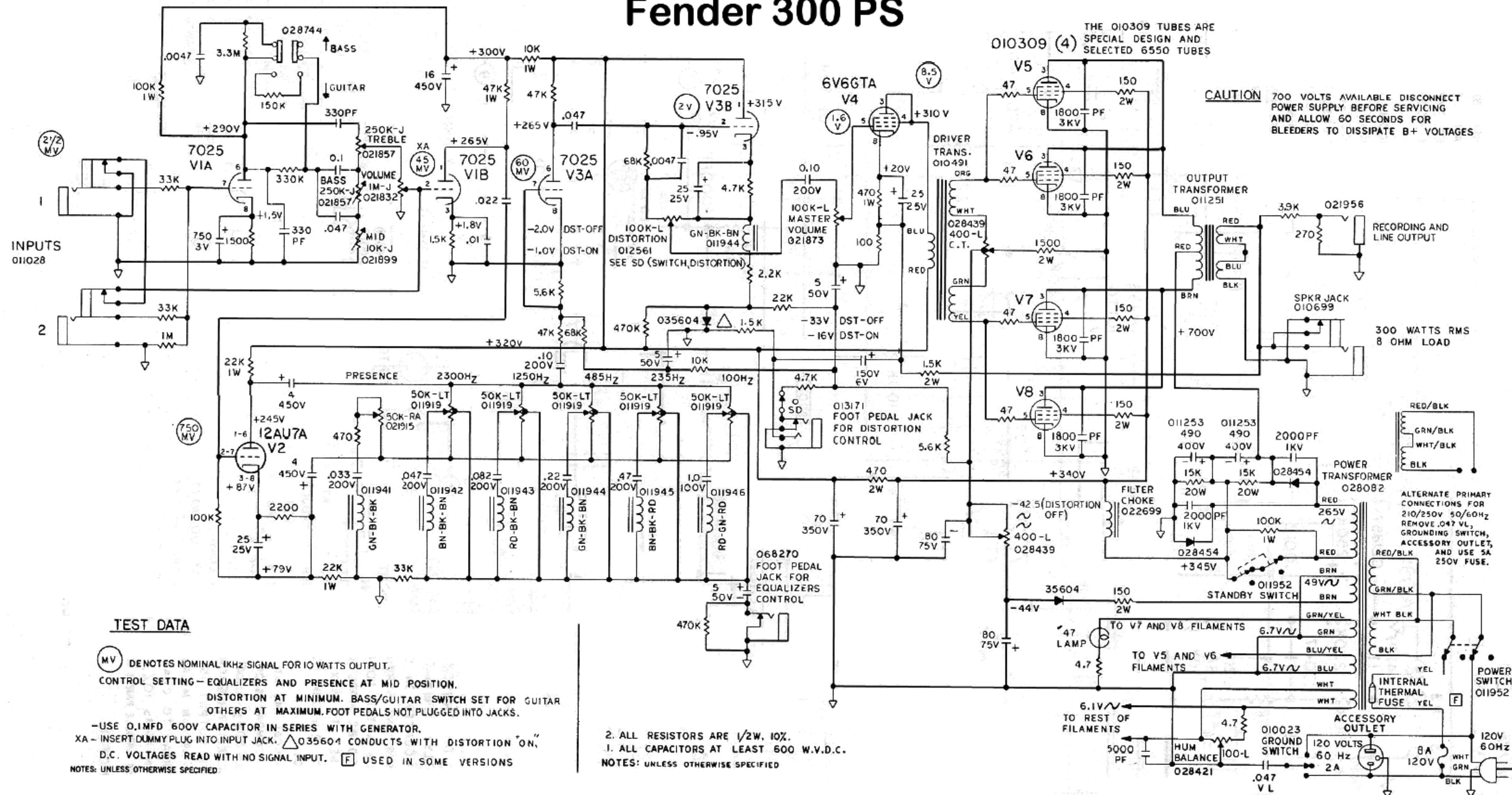


# Fender 300 PS

THE 010309 TUBES ARE SPECIAL DESIGN AND SELECTED 6550 TUBES

**CAUTION** 700 VOLTS AVAILABLE DISCONNECT POWER SUPPLY BEFORE SERVICING AND ALLOW 60 SECONDS FOR BLEEDERS TO DISSIPATE B+ VOLTAGES



## TEST DATA

(MV) DENOTES NOMINAL 1kHz SIGNAL FOR 10 WATTS OUTPUT.

CONTROL SETTING - EQUALIZERS AND PRESENCE AT MID POSITION.

DISTORTION AT MINIMUM. BASS/GUITAR SWITCH SET FOR GUITAR OTHERS AT MAXIMUM. FOOT PEDALS NOT PLUGGED INTO JACKS.

-USE 0.1MFD 600V CAPACITOR IN SERIES WITH GENERATOR.

XA - INSERT DUMMY PLUG INTO INPUT JACK.  $\Delta$  035604 CONDUCTS WITH DISTORTION ON.

D.C. VOLTAGES READ WITH NO SIGNAL INPUT. [F] USED IN SOME VERSIONS

NOTES: UNLESS OTHERWISE SPECIFIED

2. ALL RESISTORS ARE 1/2W, 10%.  
1. ALL CAPACITORS AT LEAST 600 W.V.D.C.  
NOTES: UNLESS OTHERWISE SPECIFIED

RECORDING AND LINE OUTPUT

300 WATTS RMS  
8 OHM LOAD

ALTERNATE PRIMARY CONNECTIONS FOR 210/250V 50/60HZ REMOVE .047 VL, GROUNDING SWITCH, ACCESSORY OUTLET, AND USE 5A 250V FUSE.

POWER SWITCH 011952

120V 60Hz