

FENDER "SHOWMAN" SCHEMATIC r/o

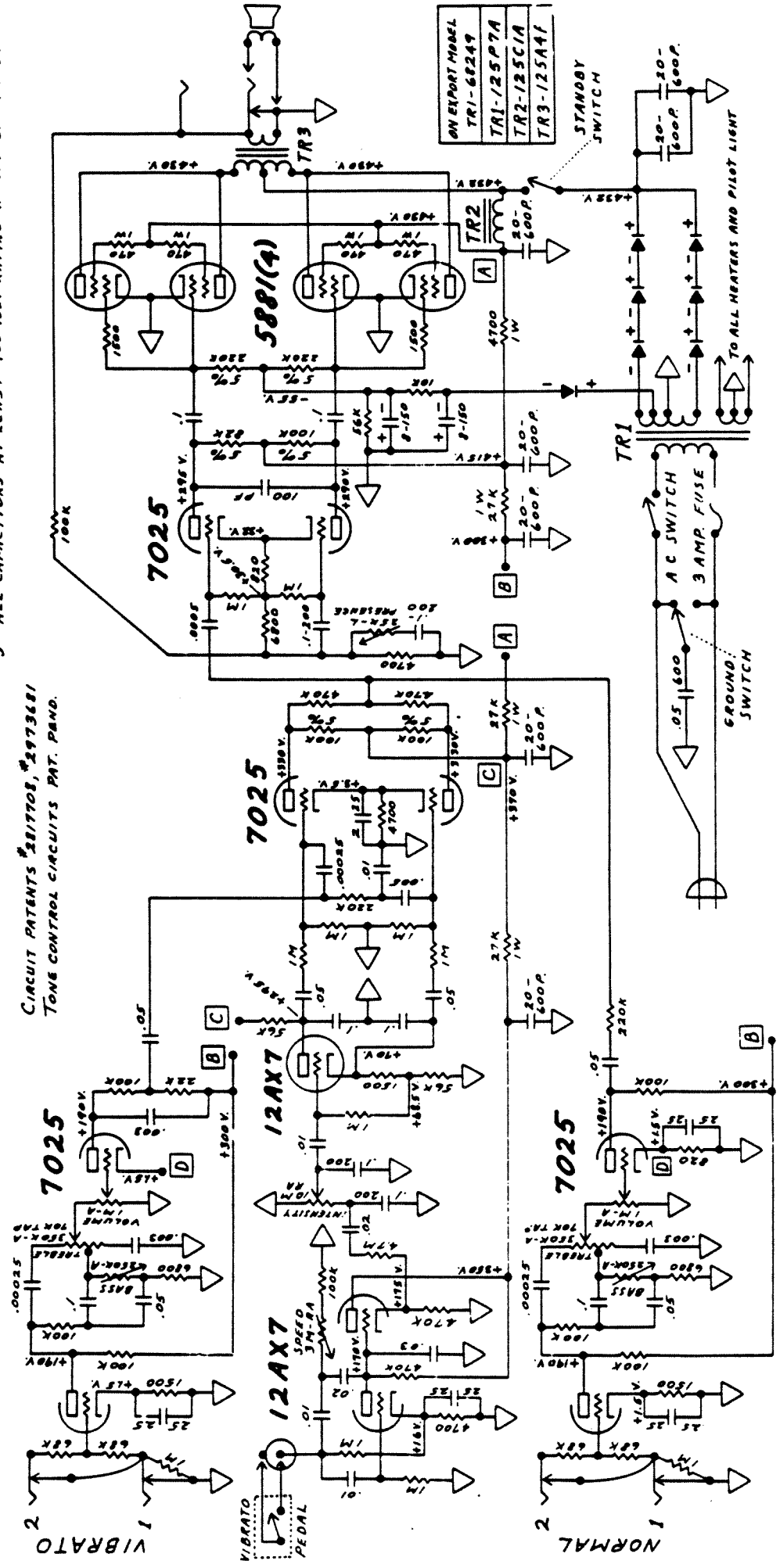
MODEL 6614-A

K-FJ

NOTICE

- 1- VOLTAGES READ TO GROUND WITH ELECTRONIC VOLTMETER. VALUES SHOWN + OR - 20% TOLERANCE IF NOT SPECIFIED.
- 2- ALL RESISTORS 1/4 WATT, 10% TOLERANCE IF NOT SPECIFIED.
- 3- ALL CAPACITORS AT LEAST 400 VOLT RATING IF NOT SPECIFIED.

CIRCUIT PATENTS #281708, #2973681
TONE CONTROL CIRCUITS PAT. PEND.

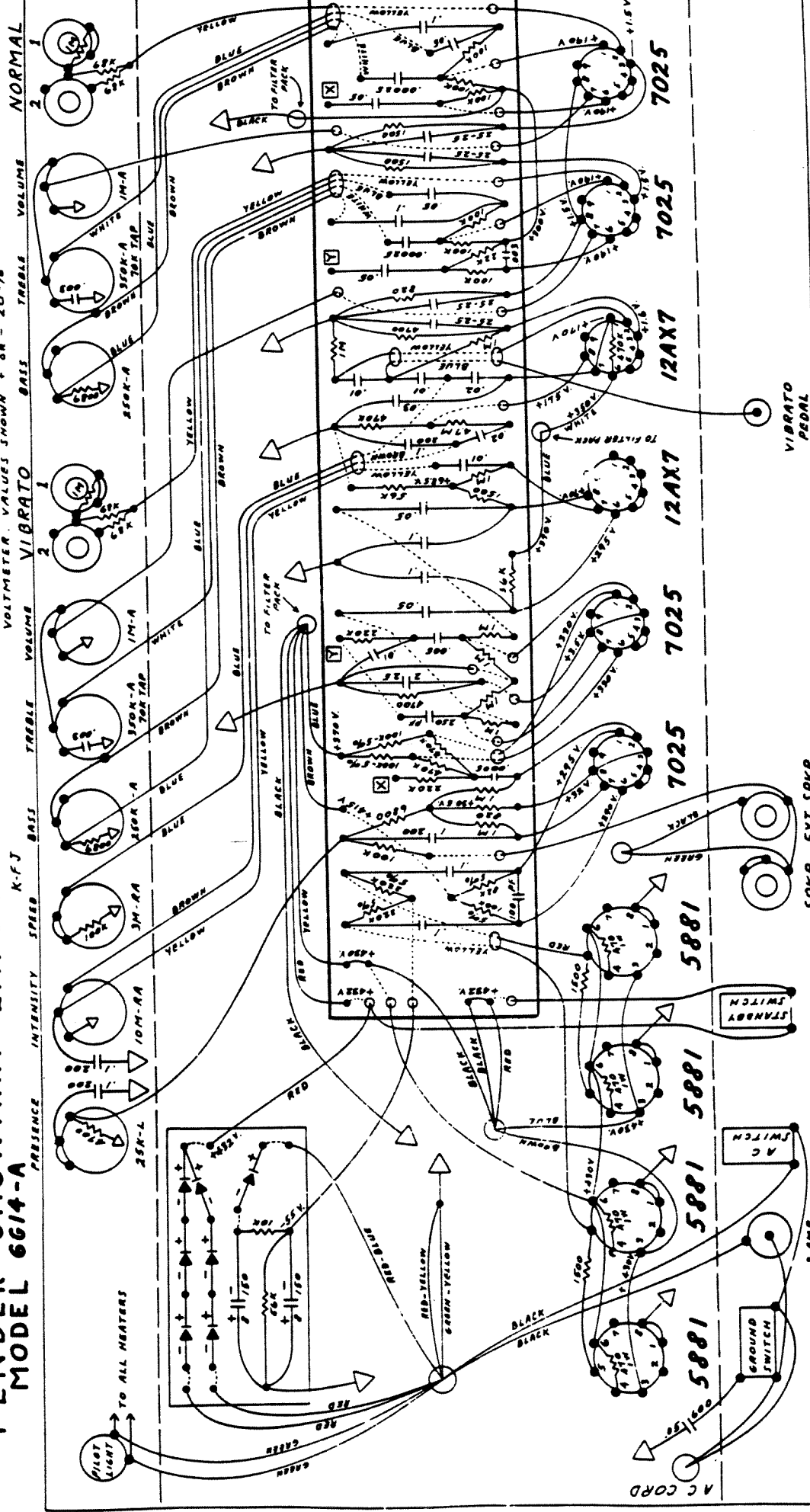


AN EXPORT MODEL
TR1-68249
TR1-125P7A
TR2-125C1A
TR3-125A1F

FENDER "SHOWMAN" LAYOUT 1/8 MODEL 6614-A

NOTICE

VOLTAGES READ TO GROUND WITH ELECTRONIC VOLTMETER. VALUES SHOWN ± OR - 20%



NORMAL

VOLUME

TREBLE

BASS

VIBRATO

VOLUME

TREBLE

BASS

VIBRATO

VOLUME

TREBLE

BASS

VIBRATO

VOLUME

TREBLE

BASS

VIBRATO

NOTE - ALL CAPACITORS AT LEAST 400 VOLT RATING IF NOT SPECIFIED.

NOTE - ALL RESISTORS 1/4 WATT, 10% TOLERANCE, IF NOT SPECIFIED.

FENDER MUSICAL INSTRUMENTS
A DIVISION OF COLUMBIA RECORDS DISTRIBUTION CORP.
SANTA ANA, CALIFORNIA
U.S.A.

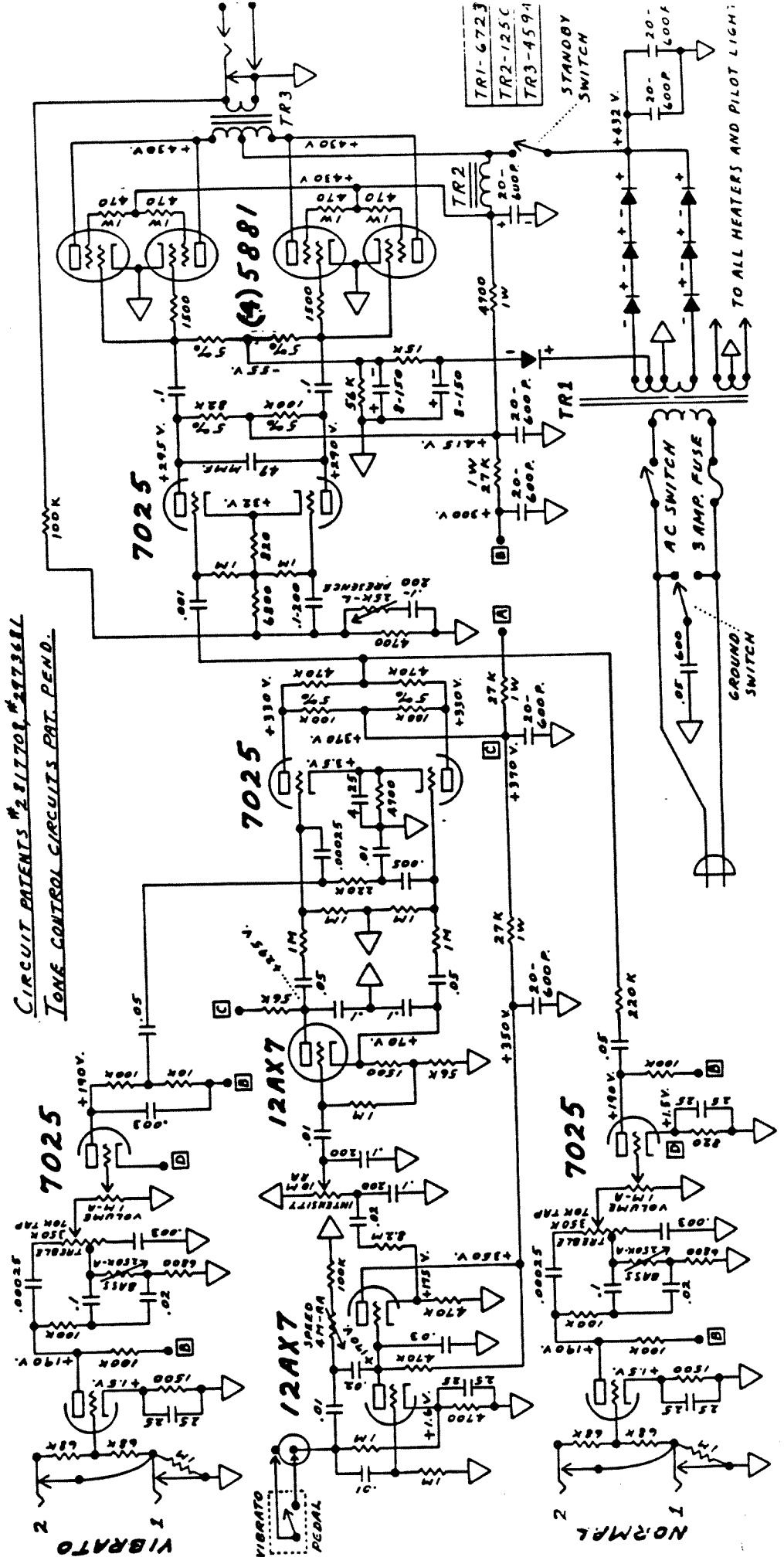
NOTICE

- 1- VOLTAGES READ TO GROUND WITH ELECTRONIC VOLTMETER. VALUES SHOWN \pm OR $- 20\%$
- 2- ALL RESISTORS $1/8$ WATT, 10% TOLERANCE IF NOT SPECIFIED
- 3- ALL CAPACITORS AT LEAST 400 VOLT RATING IF NOT SPECIFIED

**FENDER "SHOWMAN" SCHEMATIC
MODEL 6G14-A**

K-FJ

*CIRCUIT PATENTS #2,811,701 #2,913,681
TONE CONTROL CIRCUITS PAT. PEND.*



TR1-6723
TR2-125C
TR3-4594

STANDBY SWITCH

TO ALL HEATERS AND PILOT LIGHT

VIBRATO PEDAL

VIBRATO PEDAL

NORMAL

AC SWITCH
3 AMP FUSE

GROUND SWITCH

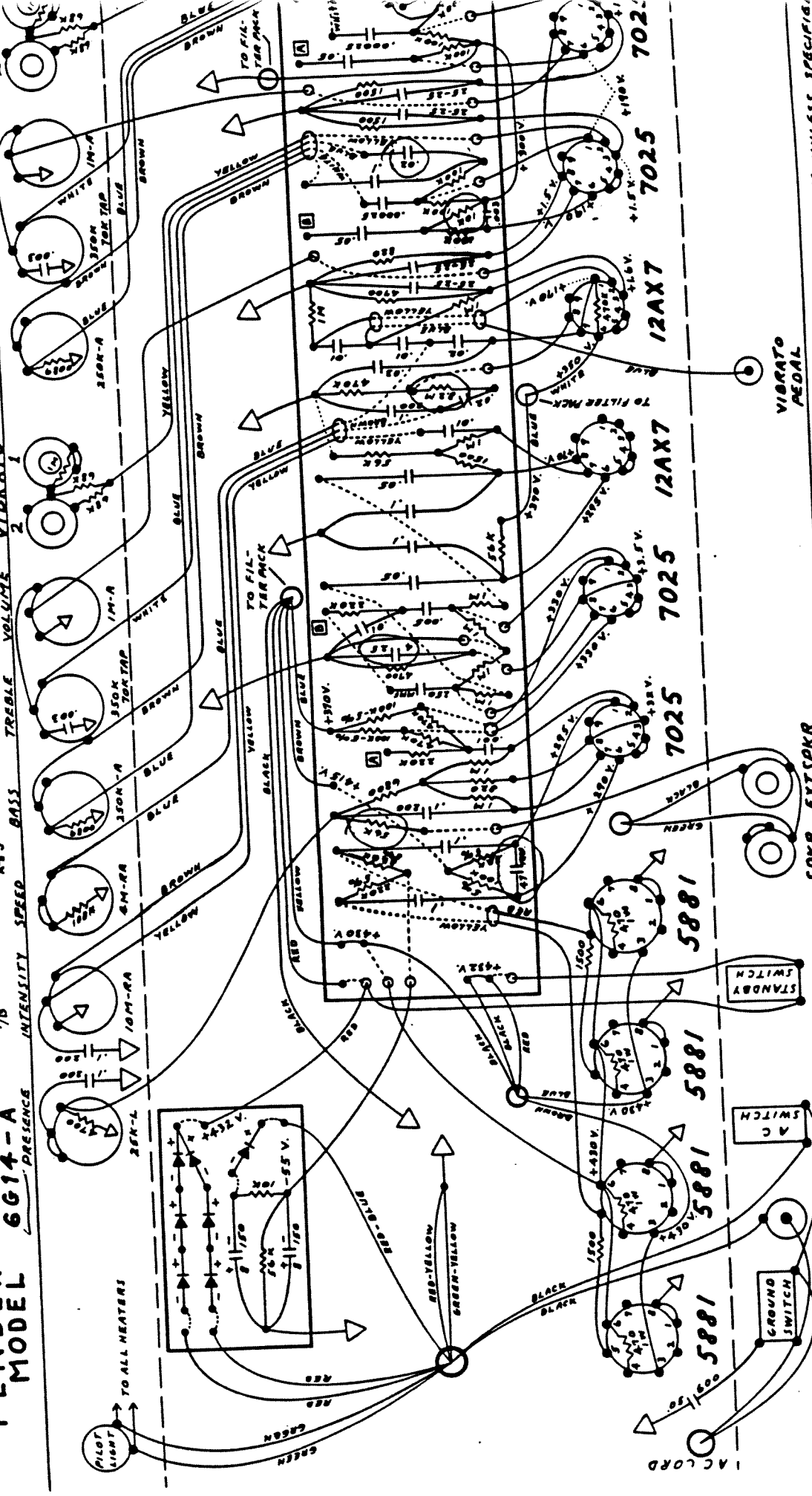
20-20-600V

20-20-600V

FENDER "SHOWMAN" LAYOUT

6G14-A PRESENCE INTENSITY SPEED REFJ TREBLE VOLUME VIBRATO 1 2 NORM 1 2

NOTICE
VOLTAGES READ TO GROUND WITH ELECTRONIC
VOLTMETER. VALUES SHOWN ± OR - 20%



NOTE - ALL CAPACITORS AT LEAST 400 VOLT RATING UNLESS SPECIFIED.

NOTE - ALL RESISTORS 1/2 WATT, 10% TOLERANCE UNLESS SPECIFIED.

SPKR. EXT. SPKR.

VIBRATO PEDAL

ACCORD

GROUND SWITCH

3 AMP. FUSE

STANDBY SWITCH

5881

5881

5881

5881

7025

7025

7025

7025

7025

12AX7

12AX7

12AX7

12AX7

12AX7

12AX7

7025

7025

7025

7025

7025

7025

7025

7025

7025

7025

7025

7025

7025

7025

7025

7025

12AX7

12AX7

12AX7

12AX7

12AX7

12AX7

12AX7

12AX7

12AX7