

FENDER  
MODEL

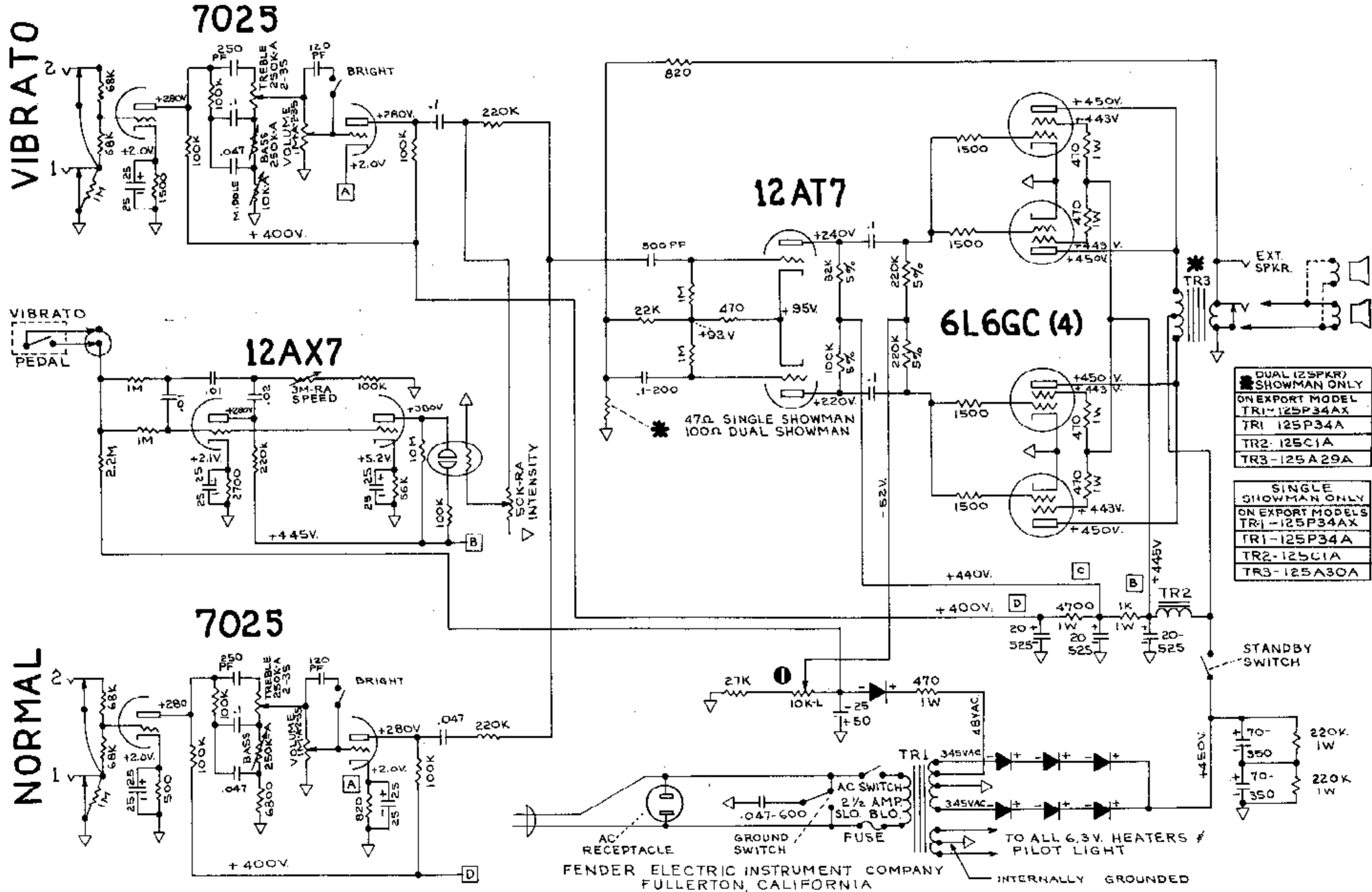
# "SHOWMAN-AMP AA763" SCHEMATIC P/B

NOTICE

THIS PRODUCT MANUFACTURED UNDER ONE OR MORE OF THE FOLLOWING U.S. PATENTS-  
#2817708, #2973681, 192859 PATENTS PENDING

A-FD

1-VOLTAGES READ TO GROUND WITH ELECTRONIC VOLTMETER.  
VALUES SHOWN + OR - 20%  
2-ALL RESISTORS 1/2 WATT 10% TOLERANCE IF NOT SPECIFIED.  
3-ALL CAPACITORS AT LEAST 400 VOLT RATING IF NOT SPECIFIED.



FENDER ELECTRIC INSTRUMENT COMPANY  
FULLERTON, CALIFORNIA

INTERNALLY GROUNDING

# FENDER "SHOWMAN-AMP AA763" LAYOUT

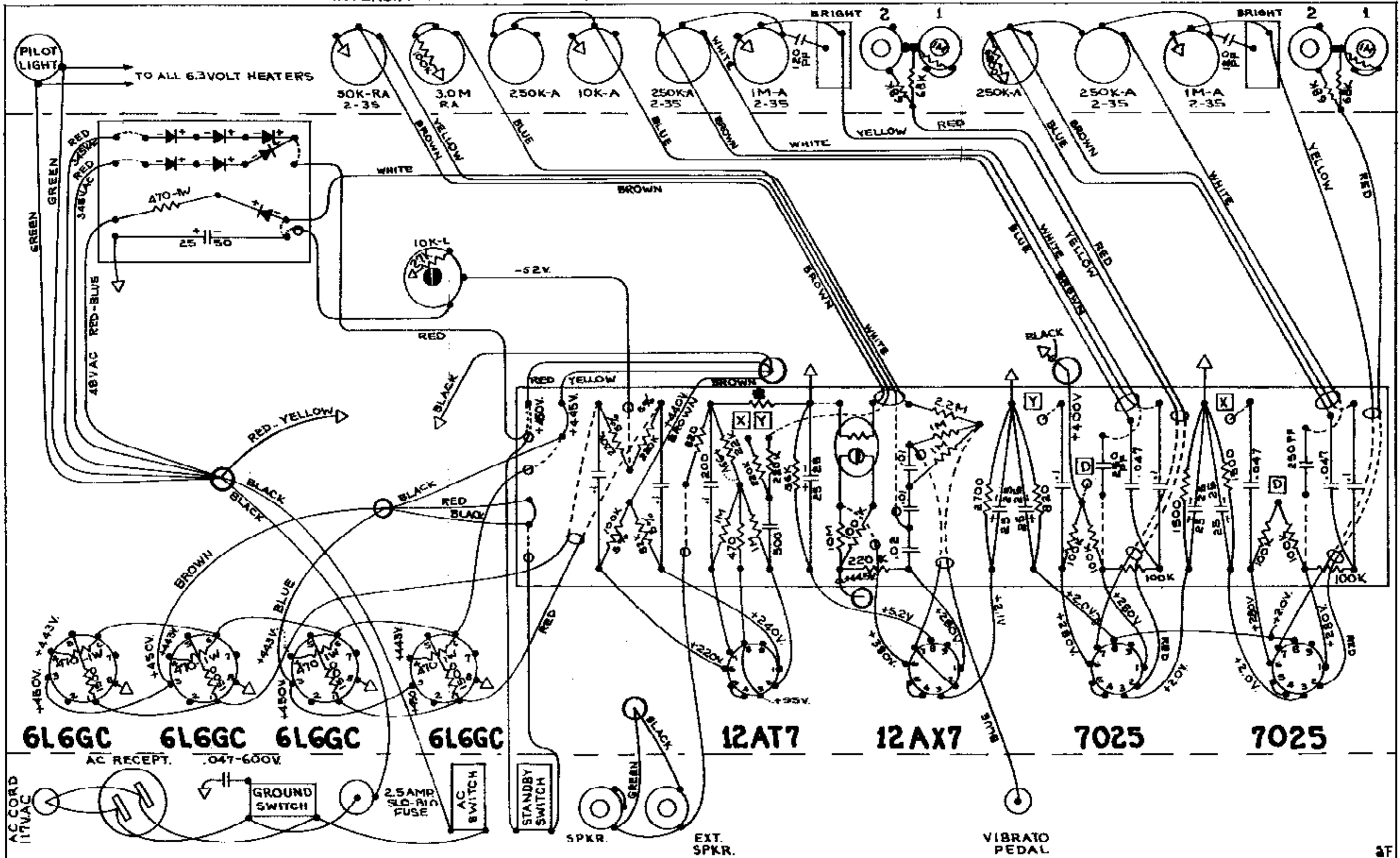
P/B

## NOTICE

VOLTAGES READ TO GROUND WITH ELECTRONIC VOLTMETER VALUES SHOWN +OR -20%

A-FD

INTENSITY SPEED BASS MIDDLE TREBLE VOLUME VIBRATO BASS TREBLE VOLUME NORMAL



NOTE: ALL RESISTORS 1/2 WATT 10% TOLERANCE IF NOT SPECIFIED. NOTE: ALL CAPACITORS AT LEAST 400 VOLT RATING IF NOT SPECIFIED.

FENDER ELECTRIC INSTRUMENT COMPANY  
FULLERTON, CALIFORNIA