

FENDER
MODEL

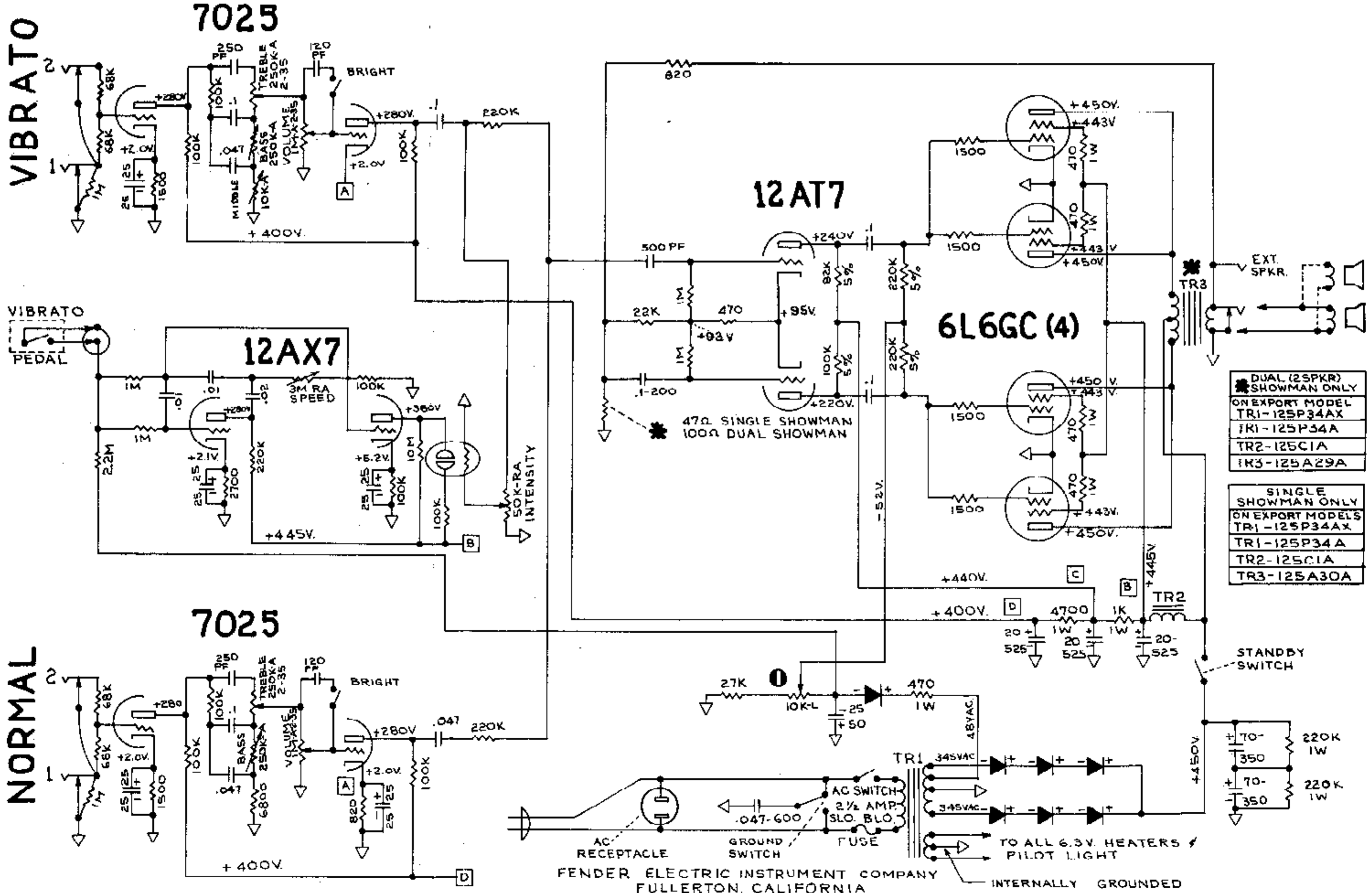
"SHOWMAN-AMP AB 763" SCHEMATIC P/B

NOTICE

THIS PRODUCT MANUFACTURED UNDER ONE OR MORE OF THE FOLLOWING U.S. PATENTS - #2817708, #2973681, 192859 / PATENTS PENDING

C-FD

- 1-VOLTAGES READ TO GROUND WITH ELECTRONIC VOLTMETER. VALUES SHOWN + OR - 20%
- 2-ALL RESISTORS 1/2 WATT 10% TOLERANCE IF NOT SPECIFIED.
- 3-ALL CAPACITORS AT LEAST 400 VOLT RATING IF NOT SPECIFIED.



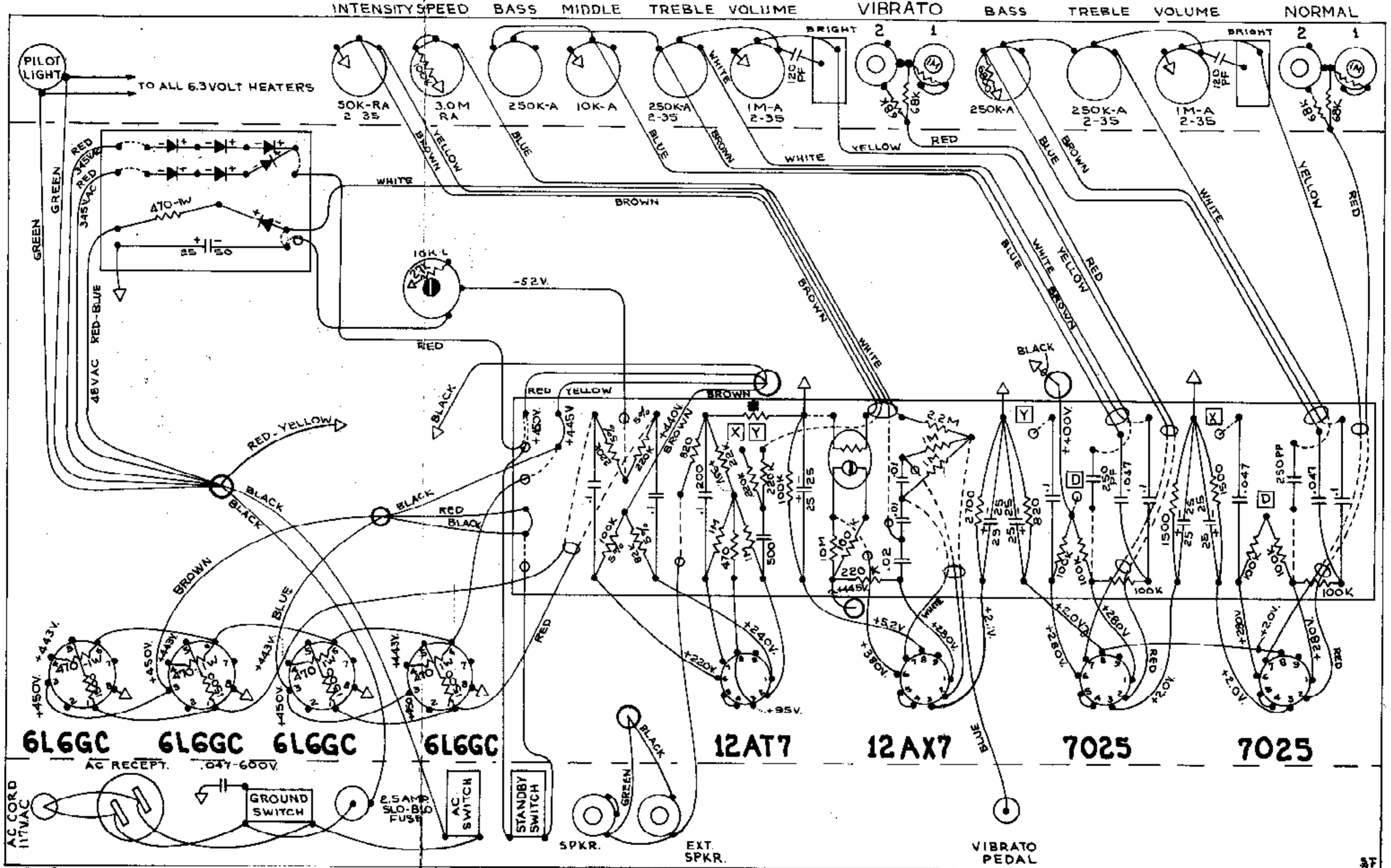
FENDER "SHOWMAN-AMP AB 763" LAYOUT

P/B

NOTICE

C-FD

VOLTAGES READ TO GROUND WITH ELECTRONIC VOLTMETER VALUES SHOWN +OR -20%.



NOTE: ALL RESISTORS 1/2 WATT 10% TOLERANCE IF NOT SPECIFIED. NOTE: ALL CAPACITORS AT LEAST 400 VOLT RATING IF NOT SPECIFIED.

FENDER ELECTRIC INSTRUMENT COMPANY
FULLERTON, CALIFORNIA