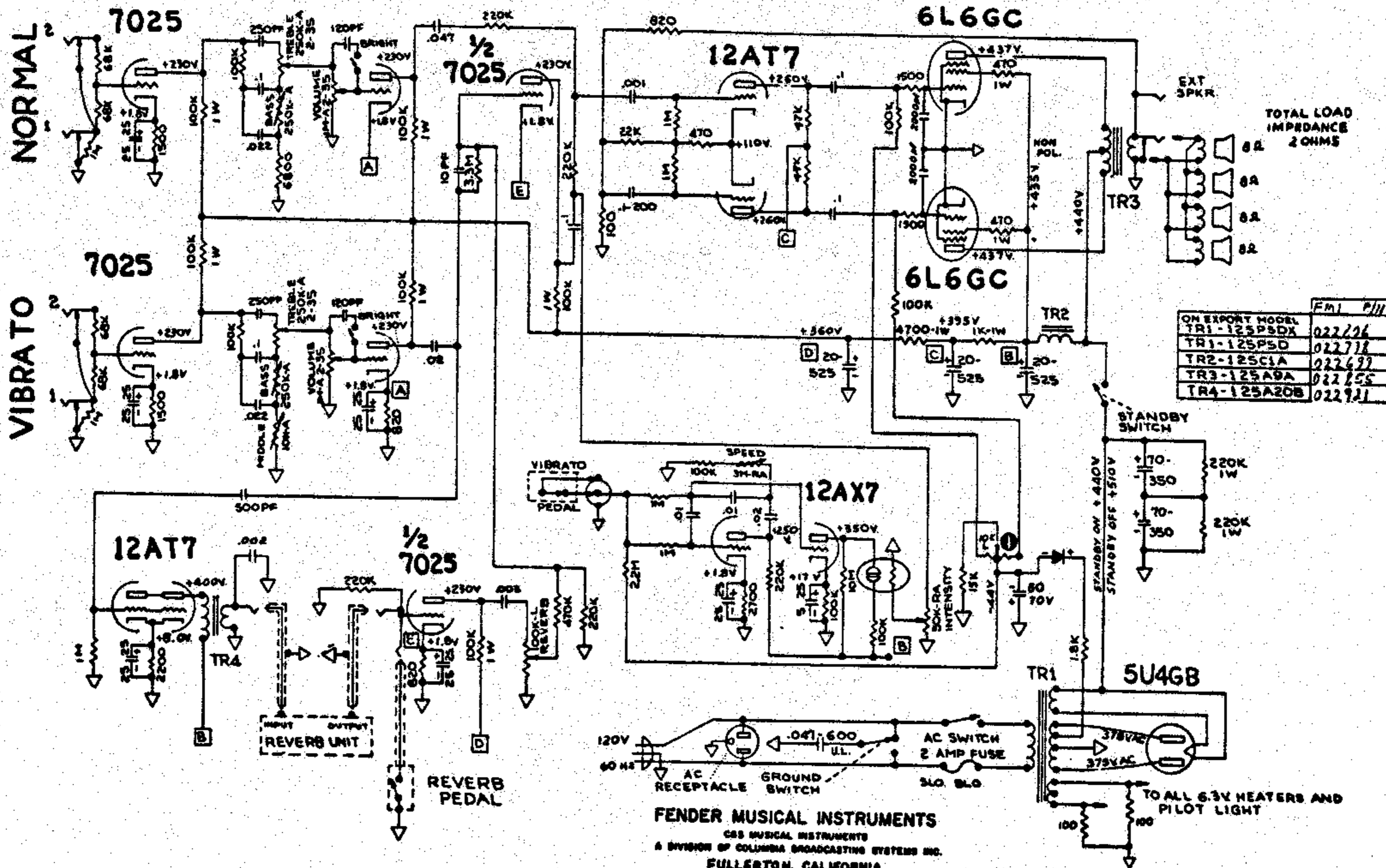


# MODEL "SUPER-REVERB-AMP AA1069" SCHEMATIC

# NOTICE

THIS PRODUCT MANUFACTURED UNDER ONE OR MORE OF THE FOLLOWING U.S. PATENTS-  
 CIRCUIT PATENT #2817708, #2973681  
 DESIGN PATENT #192859  
 PATENTS PENDING

- 1- VOLTAGES READ TO GROUND WITH ELECTRONIC VOLTMETER.
- 2- ALL RESISTORS 1/2 WATT 10% TOLERANCE IF NOT SPECIFIED.
- 3- ALL CAPACITORS AT LEAST 400 VOLT RATING IF NOT SPECIFIED.
- 4- ALL VOLTAGES READ WITH VIBRATO PEDAL GROUNDING AND NO INPUT SIGNAL.



ON EXPORT MODEL	FMI P/N
TR1-125P5DX	022726
TR1-125P5D	022718
TR2-125C1A	022697
TR3-125A9A	022855
TR4-125A20B	022921

**FENDER MUSICAL INSTRUMENTS**  
 CBS MUSICAL INSTRUMENTS  
 A DIVISION OF COLUMBIA BROADCASTING SYSTEMS INC.  
 FULLERTON, CALIFORNIA  
 U.S.A.

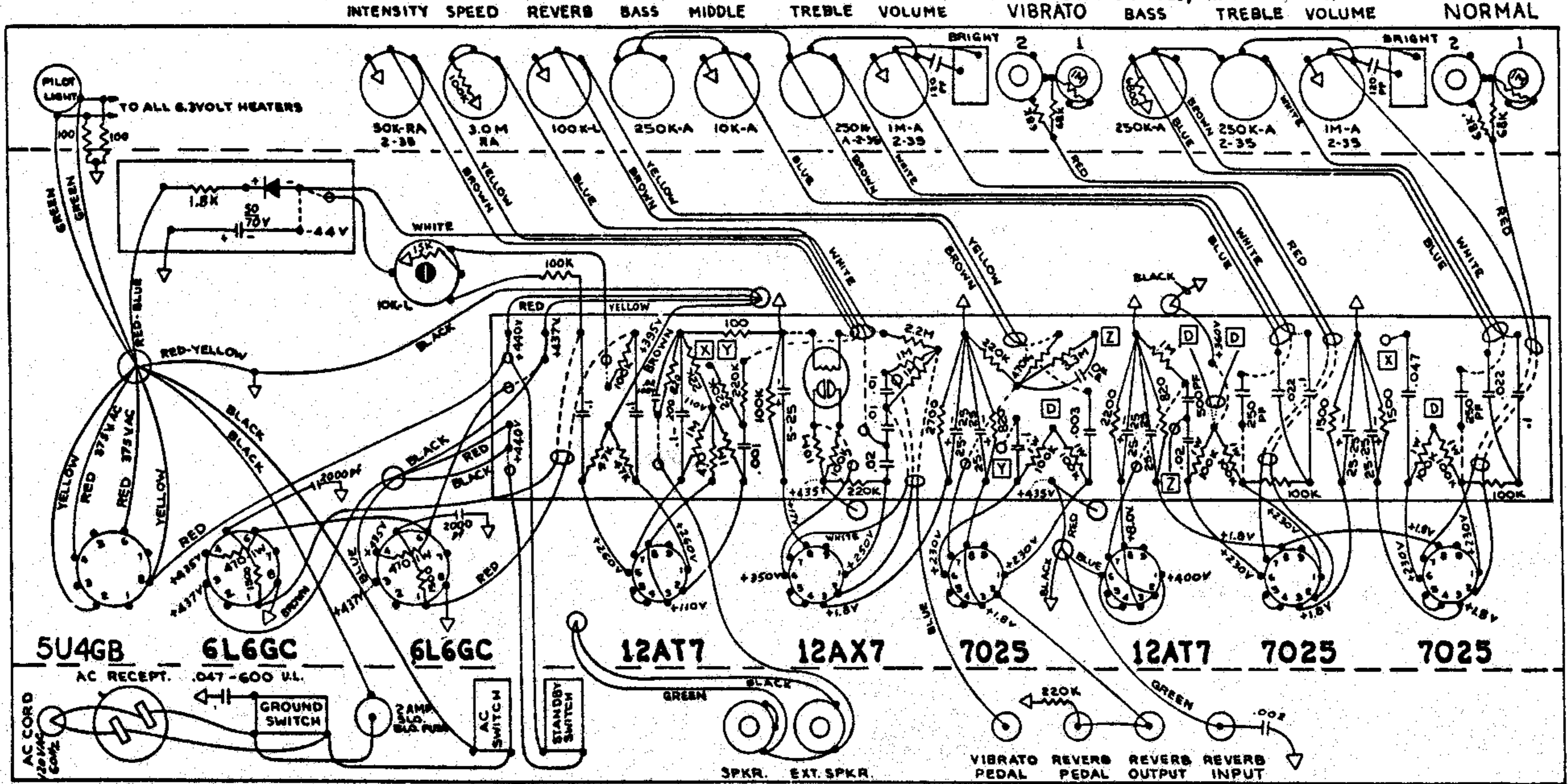
DRAWN F.T. 10-13-69 APPROVAL 1/10/70	Dwg. TITLE <b>SCHEMATIC &amp; WIRING DIAGRAM                  SUPER REVERB-AMP</b>
D INCORPORATED ECO 1478 10-13-69 C INCORPORATED ECO 1478 1/10/70 B INCORPORATED ECO 1478 5-12-70 REVISED 1	SIZE D Dwg. NO. <b>047746</b> REV. <b>D</b> SCALE NONE MODEL TUBE TYPE SUPER REVERB-AMP SHEET 1 OF 2

AMPLIFIER TT

# FENDER MODEL "SUPER REVERB-AMP AAI069" LAYOUT

## NOTICE

VOLTAGES READ TO GROUND WITH ELECTRONIC VOLT METER WITH VIBRATO-GROUNDED, NO INPUT SIGNAL.



NOTE: ALL RESISTORS 1/2 WATT 10% TOLERANCE, IF NOT SPECIFIED.

NOTE: ALL CAPACITORS AT LEAST 600 VOLT RATING IF NOT SPECIFIED.

FENDER MUSICAL INSTRUMENTS

CBS MUSICAL INSTRUMENTS  
A DIVISION OF COLUMBIA BROADCASTING SYSTEMS INC.  
FULLERTON, CALIFORNIA  
U.S.A.

DRAWN *T* 10-13-69  
APPROVED *[Signature]* 10-14-69

DWG. TITLE  
SCHEMATIC & WIRING DIAGRAM  
SUPER REVERB-AMP

D INCORPORATED ECO 1689	REV. NO.	1
C INCORPORATED ECO 1411	REV. NO.	1
B INCORPORATED ECO 1411	REV. NO.	1

SIZE	DWG. NO.	REV.
D	047746	D
SCALE NONE	MODEL TUBE TYPE SUPER REVERB AMP	SHEET 2 OF 2

AMPLIFIER TT